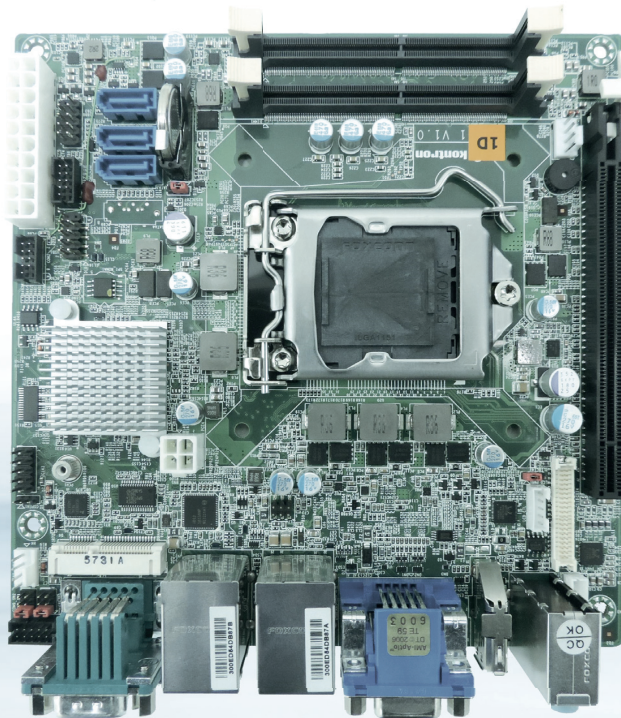


# mITX-SKL-S-H110

---



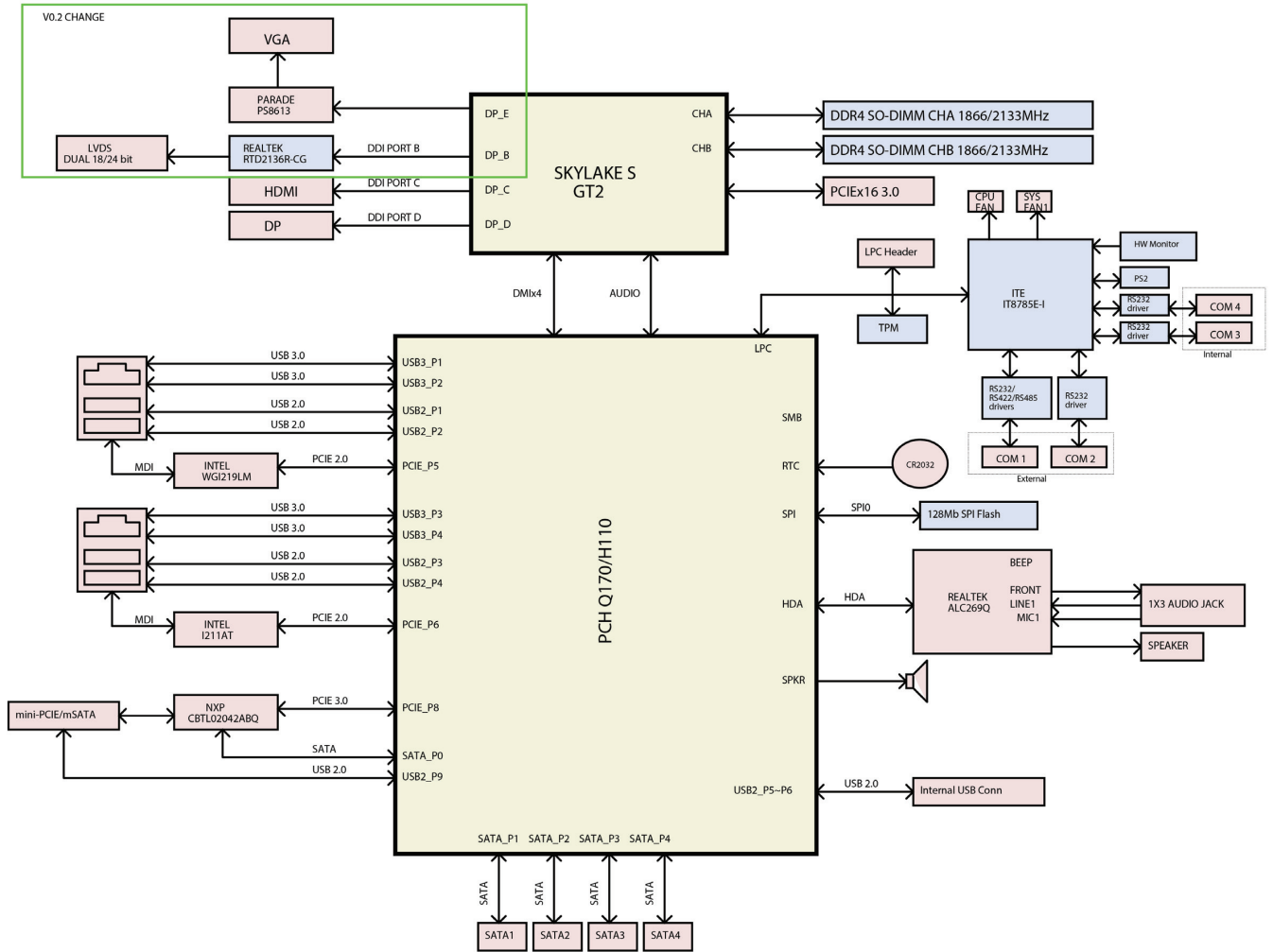
## EMBEDDED mITX DESKTOP MOTHERBOARD WITH 6th GENERATION Intel® 14NM Quad Core™ i3/i5/i7, Xeon® E3 CPUS

- ▶ long term available Embedded mITX desktop class motherboard
- ▶ LVDS 24bit dual channel and display port 1.2
- ▶ SO-DIMM DDR4-2133 memory (up to 32 GByte)

POSSIBILITIES START HERE



► BLOCK DIAGRAM mITX-SKL-S-H110



# mITX-SLK-S-H110

## TYPICAL APPLICATIONS

- ▶ POS/POI: Higher Graphics and CPU core performance, Low power, multi display support
- ▶ Medical/Connectivity: Higher Graphics and CPU core performance, longevity
- ▶ Industrial Automation: Wide range of I/Os, compact size, longevity
- ▶ Digital signage: Multi display support, low power, wide range of I/Os
- ▶ Future-oriented Devices: Display Port and LVDS, low power, compact size

The mITX-SKL-S-H110 is part of the Security Solution Product Line. The motherboard is prepared for Application Protection, License Creation, Delivery, Management and Tracking, Implementation of license models as well as the assignment of privileges and access levels.

### ▶ TECHNICAL INFORMATION

<b>PROCESSOR</b>	Intel® Core i7/i5/i3
<b>MEMORY</b>	2x DDR4 Non ECC SODIMM 2133 MHz (up to 32 GByte)
<b>GRAPHICS INTERFACE</b>	2x Independent Displays (1x DP, 1x LVDS/VGA, 1x HDMI)
<b>SPECIAL</b>	TPM2.0
<b>SATA PORTS</b>	3x SATA Gen 3.0
<b>MPCIe / MSATA SLOT</b>	1x Mini-PCIe (Half size) with USB2.0
<b>SERIAL PORTS</b>	1x RS-232/422/485 1x RS-232 2x RS-232(Internal)
<b>LAN PORTS</b>	2x Ethernet on rear IO Gigabit-LAN (10/100/1000 MBit)
<b>USB PORTS</b>	4x USB 3.0 (Rear) + 2x USB 2.0 (Front Header) + 1x USB 2.0 (mPCIe)
<b>AUDIO</b>	HD Analog audio interface (Line-In, Line-Out, Mic-In, SPDIF)
<b>PCIe SLOTS</b>	1x PCIe x16 (Gen 3)
<b>TPM</b>	TPM2.0
<b>POWER SUPPLY</b>	ATX PWR 20pin + 4pin (Internal Input Power)
<b>SAFETY</b>	IEC 60950-1: 2005, 2nd Edition UL 60950-1, CSA C22.2 No. 60950-1
<b>COOLING SOLUTIONS</b>	Passive and active cooling solutions
<b>OPERATING TEMPERATURE</b>	0° C to 60° C
<b>REGULATORY</b>	Comply with Emission: EN55022
<b>DIMENSIONS</b>	Mini-ITX, 170 x 170 mm
<b>OPERATING SYSTEMS</b>	Win7, Win8.1, Win10, Linux
<b>CHIPSET</b>	H110
<b>SUPPORTED MODULES</b>	mITX-SKL-S H110 81070X-45XX

### GLOBAL HEADQUARTERS

### KONTRON S&T AG

Lise-Meitner-Str. 3-5  
86156 Augsburg, Germany  
Tel.: + 49 821 4086 0  
Fax: + 49 821 4086 111  
info@kontron.com  
[www.kontron.com](http://www.kontron.com)