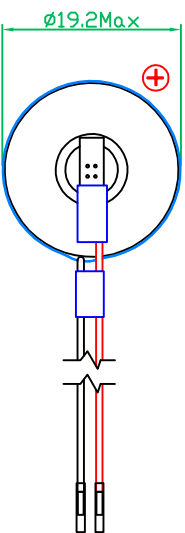
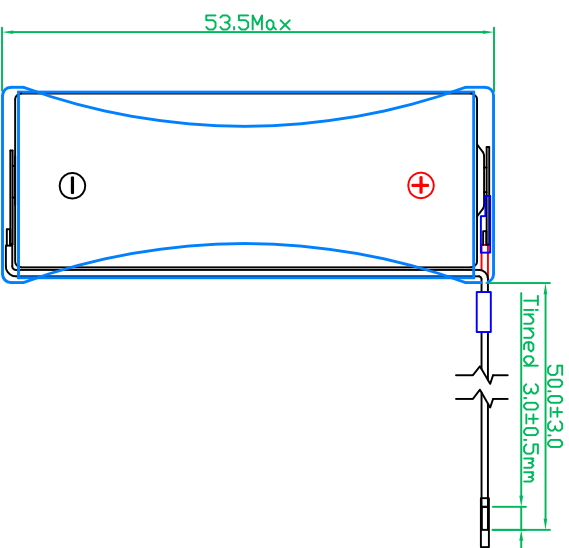
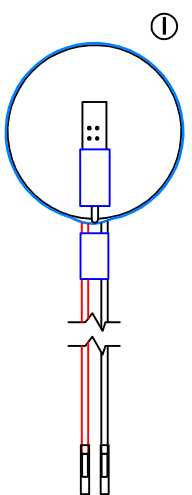
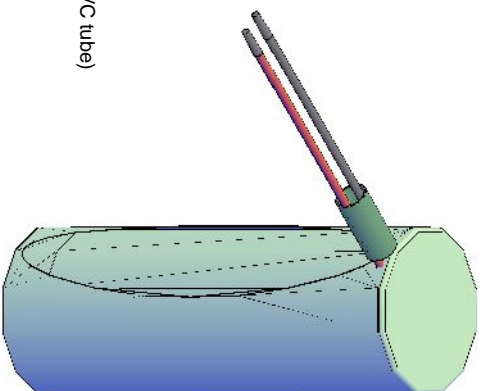
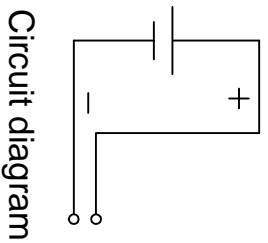
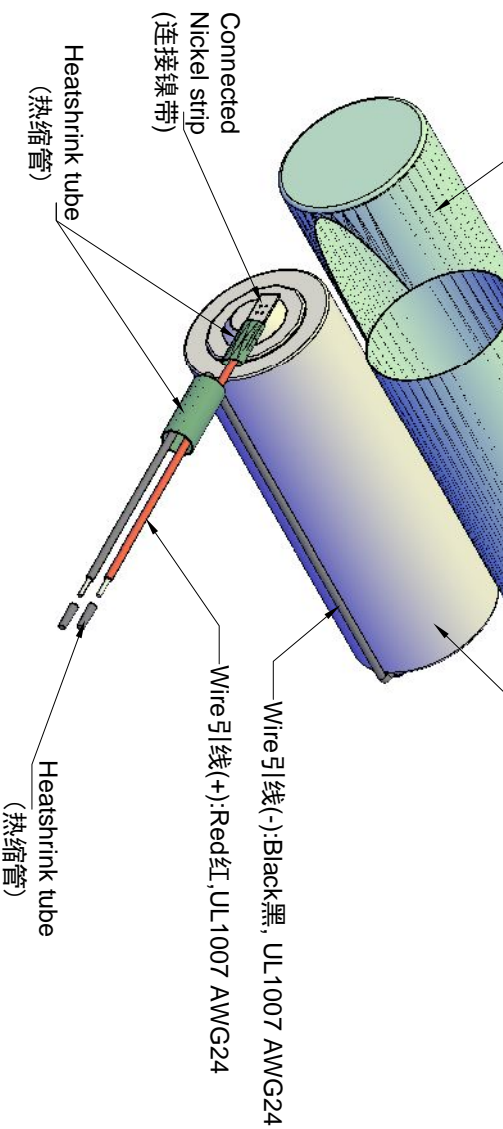


BluePVC, with date code
(蓝色PVC, 表面喷码)

Blue(蓝色)PVC

Cell(电芯):ER18505,
EEMB PVC, with date code
(EEMB PVC, 表面喷码)



D Remark(备注):

1. Pack :3.6V 4000mAh, With wires, Blue PVC, with date code .
(Fix lead wire by erect PVC tube and then cover the whole battery with horizontal PVC tube)
电池包: 3.6V 4000mAh, 带输出引线, 蓝色PVC, 表面喷码,
(先用竖套PVC固定引线, 再用横套PVC将整体包住)
2. RoHS Compliant.
严格按照RoHS要求生产.

 EEMB BATTERY		Drawn:	Leiyuanchad	Revise No.:	E4-2009
		Checked 1:	Annie	Projection:	
Title		Checked 2:		Page:	1/1
File NO		Approved:		Scale:	1.7 : 1
A13780		Draw Date:	2017/03/02	Unit:	mm