

## 103 KEY LED BACKLIT KEYBOARD WITH ERGONOMICAL TRACKBALL - IEC 60945

Fully compliant with IEC 60945 - IP67 sealing



Keyboard with trackball for the most demanding jobs.

This 103 key backlit keyboard has a multi-functional layout with separate numerical- and control keypads and integrates a waterproof IP68 sealed ergonomic trackball with scroll wheel.

### Keyboard part

- The separate keyboard and trackball are fully compliant with IEC60945, see below
- Sealing to IP67
- User-friendly layout with separate numerical-, control- and function keypads
- USB connection

### Trackball part

- IP68 sealed waterproof
- Ergonomical design
- 50 mm trackball with hall-effect scroll wheel
- Integrated left, middle and right switch functionality
- Removable ball for easy cleaning
- USB connection

### Backlight

- High brightness LED's with fibre optic technology
- Low power LED's warrant for a long life
- No external power supply necessary, keyboard port power sufficient
- Dimmable backlighting at 8 levels by two dedicated keys
- White backlighting as standard, other colours on request
- Customized backlight control by an external DC voltage, PWM signal or potentiometer is available on request

### Panel mount version

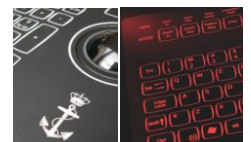
- Black anodised aluminium carrier
- Front panel mounting by means of M4 threaded studs.
- The rear side components are protected by a covering metal plate
- Dimensions / weight : 214 x 544 x 30/64 mm / 1,7 kg

### Enclosed version

- The keyboard is mounted in a robust, high impact polystyrene (HIPS) enclosure
- Dimensions / weight : 217 x 547 x 63/122 mm / 3,2 kg

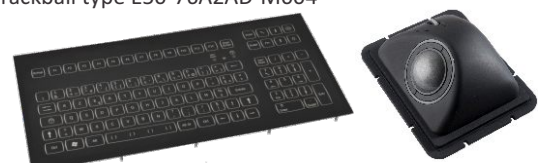
### CUSTOMIZATION

Possible customization includes adapted backlighting controls, addition of company logo or specific function keys, different layouts, different colour,... all this without having to reapply for certification!



### IEC 60945 CERTIFICATION

The separate keyboard & trackball are certified to IEC 60945 keyboard type KSME103 Bxxxx-W-MC1 trackball type E50-76A2AD-M004



VER. 1.0

### GENERAL TECHNICAL SPECIFICATIONS

#### KEYBOARD

Sealing	IP67 sealed
Keys	103 short travel switches, tactile feel switches with 0,3 mm travel and 2,55 N operating force
Output	1.6 m shielded USB cable
Power requirements	Directly from USB port
Operating temp.	-15°C to +60°C
Front layer	Black polyester front layer with embossed keys, scratch and chemical resistant

#### TRACKBALL MODULE

Ball diameter	Ø50.8mm (2")
Ball material	Epoxy resin, metallic grey
Tracking force	30-80 grams – PTFE seal
Ball load	200N (20Kg) maximum downward pressure for 2 minutes @ 20°C
Resolvable ball speed	30 IPS (inches per second)
Tracking engine	Infra-red optical navigation technology
Removable ring style/colour	Bayonet style locking ring/black

#### SCROLL WHEEL

Wheel diameter	Ø25mm
Wheel material	PC/ABS
Wheel colour	Grey – various colours available
Encoding technology	Hall effect
Detent-scrolling force	30 grams nominal

#### MOUSE BUTTONS

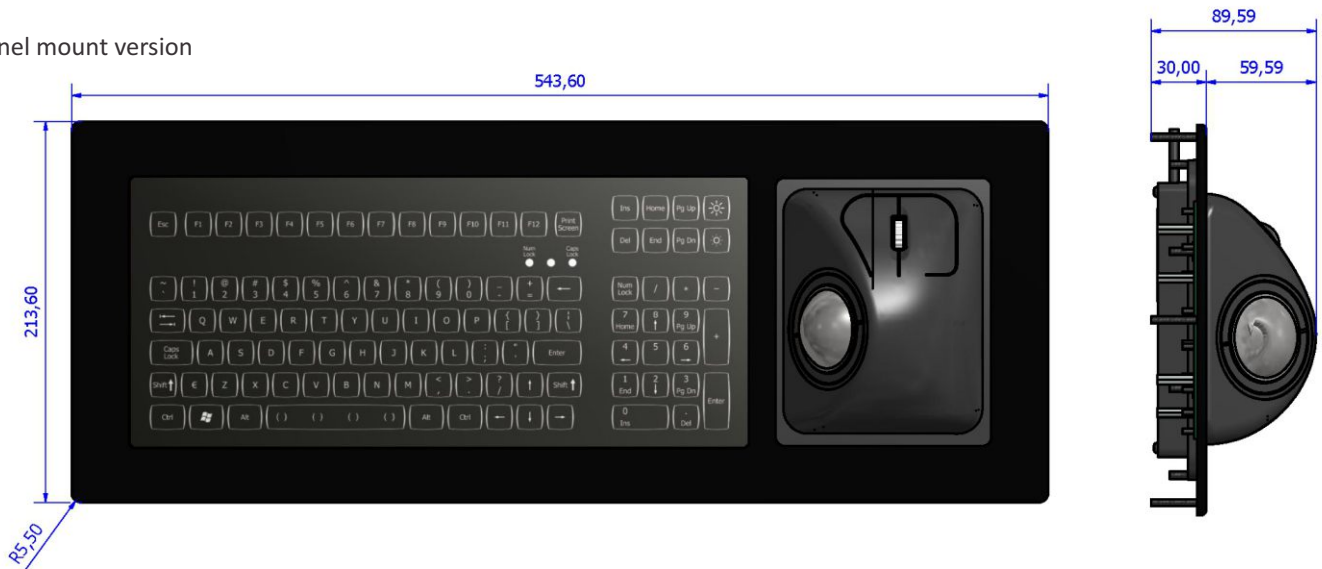
Switch actuation force	150 ± 50 grams force
------------------------	----------------------

## 103 KEY LED BACKLIT KEYBOARD WITH ERGONOMICAL TRACKBALL - IEC 60945

Fully compliant with IEC 60945 - IP67 sealing

### DIMENSIONAL DRAWING

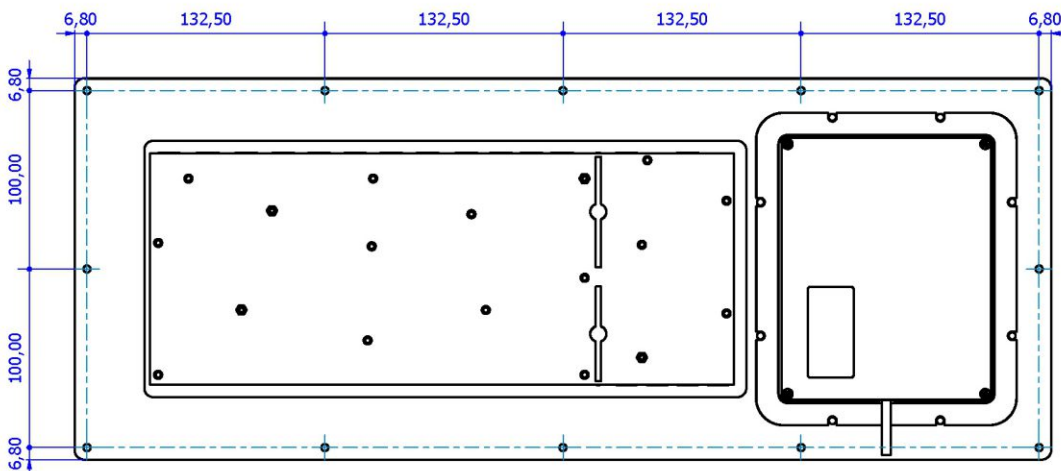
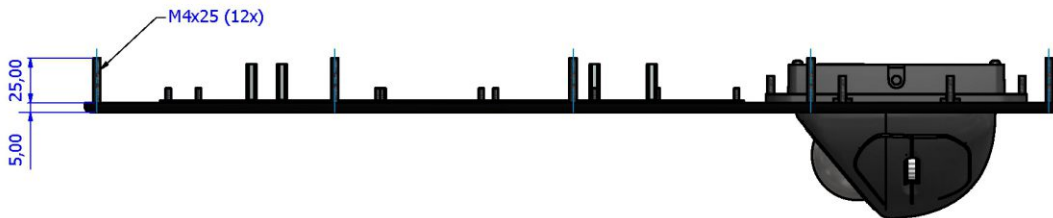
Panel mount version



### COLOURS

Keyboard & Key Background : PANTONE Black 2 C 2X

Key edges & key legends : white Translucent



## 103 KEY LED BACKLIT KEYBOARD WITH ERGONOMICAL TRACKBALL - IEC 60945

Fully compliant with IEC 60945 - IP67 sealing

### DIMENSIONAL DRAWING

Enclosed version



### ORDER INFO

LAYOUT	PANEL MOUNT	ENCLOSED
US Qwerty	<b>KSME103 B0001-W-MC1</b>	<b>KSME103 S0001-W-MC1</b>
RU Cyrillic	<b>KSME103 B0007-W-MC1</b>	<b>KSME103 S0007-W-MC1</b>
FR French Azerty	<b>KSME103 B0033-W-MC1</b>	<b>KSME103 S0033-W-MC1</b>
DK Danish	<b>KSME103 B0045-W-MC1</b>	<b>KSME103 S0045-W-MC1</b>
DE German Qwertz	<b>KSME103 B0049-W-MC1</b>	<b>KSME103 S0049-W-MC1</b>
TR Turkish	<b>KSME103 B0090-W-MC1</b>	<b>KSME103 S0090-W-MC1</b>

USB output  
backlighting colour: W = white (standard); R = red, others on request

### COLOURS

Keyboard & Key Background : PANTONE Black 2 C 2X  
Key edges & key legends : white Translucent