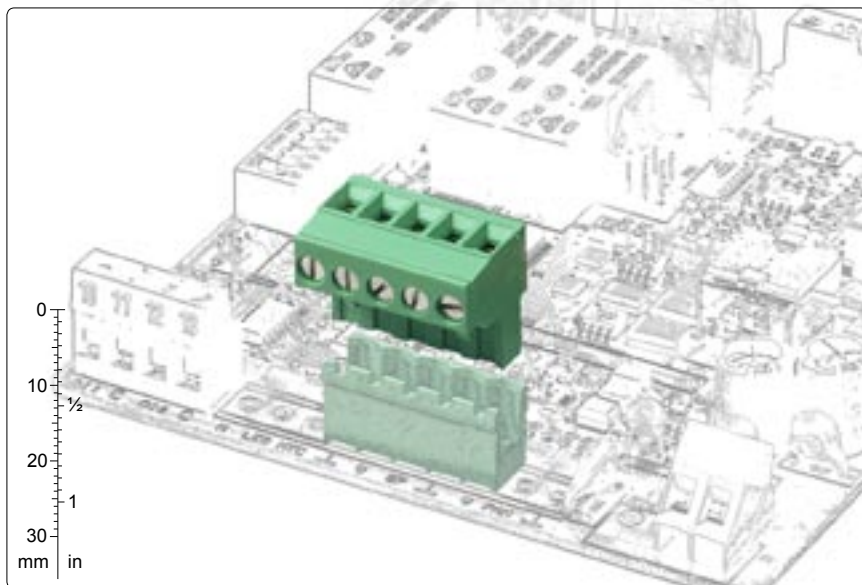


CIF**Functional Characteristics****Dimensional Class:**
Medium**Standard Colour:**
Green**Dimensions:**
18.4 x 15.5 mm (.724 x .610 in)**Max Approved Wire Size:**
solid: 2.5 mm² (IMQ); 12 AWG (UL)
stranded: 1.5 mm² (VDE); 12 AWG (UL)**Clamp Opening Size:**
2.5 x 2.4 mm (.098 x .094 in)**Versions:**
Side Stackable,
Modular,

Locking Screw Flanges

**Single Mould Poles:**
from 2 to 25 (Modular and Side Stackable)
from 2 to 23 (Locking Screw Flanges)**Pitches:**
Metric 5 mm, 7.5 mm, 10 mm
(.197 in, .295 in, .394 in)Imperial 5.08 mm, 7.62 mm, 10.16 mm
(.200 in, .300 in, .400 in)pitch 5/5.08 mm
from 2 to 25 poles
modularpitch 7.5/7.62 mm
from 2 to 12 poles
side stackablefrom 2 to 23 poles
locking screw flangesavailable accessories:
from 2 to 9 poles
BSC for rising clampCIF-LC1
coding splines**Brief Description**

The **CIF** female connector series makes it possible to use wires up to 2.5mm² (12 AWG) and consequently a current range of 15A certified can be reached.

It is available in metric pitches from 5 mm (.197 in), from 7.5 mm (.295 in) and from 10 mm (.394 in) and in Imperial Pitches from 5.08 mm (.200 in), from 7.62 (.300 in) and from 10.16 mm (.400 in), in monolithic blocks from 2 to 25 poles, in side-stackable or modular versions or with flanges.

The **CTM** connector series for PCBs is characterized by an asymmetric profile, so mistakes are prevented when connections are made with the relative **CIM**, **CPM** or **CRM** male connectors soldered to the board or the **CGM** connectors with screw connection to the wire. Further safety when

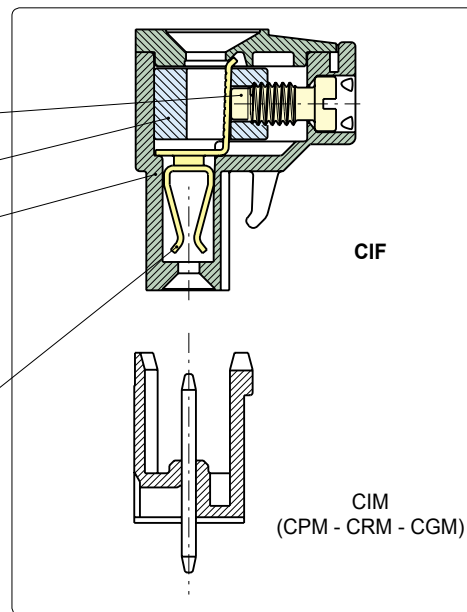
connecting can be obtained by using the CIF-LC1 and CIM-SCI Coding Splines and Coding Clips (see page 20-21) or COF-SP1 Polarization Pegs (see page 18-19).

It is possible to side-stack or assemble the basic modular connectors in order to obtain any number of poles without losing the pitch. By taking advantage of this particular characteristic a minimum stock of basic connectors can be kept.

It is simple to manage the product, the warehouse and the assembly with the Kit packages because several versions can be received with only one code, the part-numbers are significantly reduced and the risk of making mistakes is also reduced.

Characteristics of Components

- M3 nickel plated Copper Alloy Screw.
- Nickel-plated Copper Alloy Rising Clamp.
- PA 6.6.Polyamide Housing.
Standard Colour: GREEN.
V0 Self-extinguishing according to UL 94.
Chlorinated solvents resistant,
with no Phosphor, Dioxin or
detrimental to health Halogens.
- Leadfree tin-plated Copper Alloy Spring.



Mechanical Characteristics

| | |
|---------------------------------------|-------------------------------------|
| Insertion force per pole | max 3 N (.674 lbf) |
| Withdrawal force per pole | min 1,5 N (.337 lbf) |
| Recommended/Highest tightening torque | 0.5/0.6 Nm (4.42/5.30 lbf*in) |
| Stripping length | 6 ÷ 7.5 mm (.24 ÷ .30 in) |
| Operating temperature range | -40 °C ÷ +110 °C (-40 °F ÷ +230 °F) |
| Climatic category | 40/110/21 According to EN 60068-1 |

Electric Characteristics*

| | |
|--|--|
| Solid wire section | 0.05 ÷ 2.5 mm ² (IMQ)* 30÷12 AWG (UL, CSA)* |
| Stranded wire section | 0.05 ÷ 1.5 mm ² (IMQ)* 30÷12 AWG (UL, CSA)* |
| Rated voltage for 5 mm (.197 in) and 5.08 mm (.200 in) pitch | 300 V (UL, CSA)* |
| Rated voltage for 7.5 mm (.295 in) and 7.62 mm (.300 in) pitch | 750 V (IMQ)* |
| Rated voltage for 10 mm (.394 in) and 10.16 mm (.400 in) pitch | 750 V (IMQ)* |
| Rated current | 15 A (IMQ)* |
| Contact resistance | <15 mΩ |
| Insulation resistance | >10 ⁹ Ω (500V DC) |

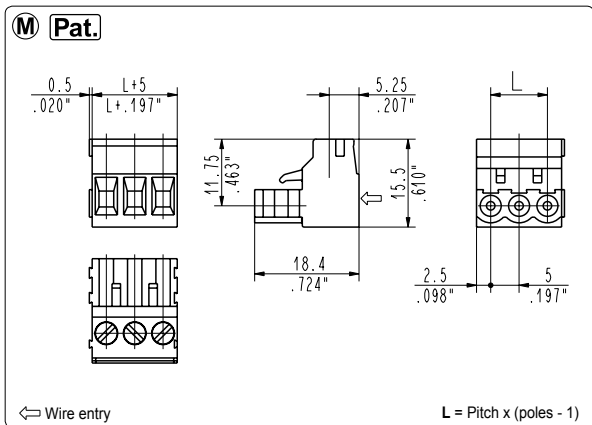
*All the a.m. data refer to the highest values amongst the certificated ones.

V voltage, I current values and tightening torque are related to the norms to be applied to the product and to its use.

Approvals

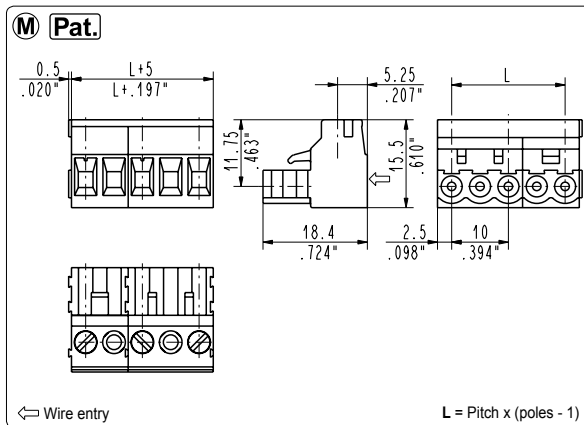
| | | |
|--|-------------------|---|
| | CE: | 250 V - T 110 - 15 A - 2.5 mm ² solid (12 A - 1.5 mm ² stranded) for 5 mm (.197 in) and 5.08 mm (.200 in) pitch |
| | | 750 V - T 110 - 15 A - 2.5 mm ² solid (12 A - 1.5 mm ² stranded) for 7.5 mm (.295 in) and 7.62 mm (.300 in) pitch |
| | | 750 V - T 110 - 15 A - 2.5 mm ² solid (12 A - 1.5 mm ² stranded) for 10 mm (.394 in) and 10.16 mm (.400 in) pitch |
| | UL: | 300 V - 15 A - 30÷12 AWG for 5 mm (.197 in), 5.08 mm (.200 in), 7.5 mm (.295 in) and 7.62 mm (.300 in) pitch |
| | File E 167473 | 600 V - 15 A - 30÷12 AWG for 10 mm (.394 in) and 10.16 mm (.400 in) pitch |
| | | Application values for end-use equipment have to be in accordance to UL norms and applicable to it. |
| | CSA: | 300 V - 15 A - 30÷12 AWG for 5 mm (.197 in) and 5.08 mm (.200 in) pitch |
| | File LR 102896 | 450 V - 15 A - 30÷12 AWG for 7.5 mm (.295 in) and 7.62 mm (.300 in) pitch |
| | | 600 V - 15 A - 30÷12 AWG for 10 mm (.394 in) and 10.16 mm (.400 in) pitch |
| | VDE: | 250 V - 12 A - T 110 - 1.5 mm ² for 5 mm (.197 in) and 5.08 mm (.200 in) pitch |
| | Reg. N. 112754 ÜG | 500 V - 12 A - T 110 - 1.5 mm ² for 7.5 mm (.295 in) and 7.62 mm (.300 in) pitch |
| | | 750 V - 12 A - T 110 - 1.5 mm ² for 10 mm (.394 in) and 10.16 mm (.400 in) pitch |
| | IMQ: | 250 V - T 110 - 15 A - 2.5 mm ² solid (12 A - 1.5 mm ² stranded) for 5 mm (.197 in) and 5.08 mm (.200 in) pitch |
| | File EM672 | 750 V - T 110 - 15 A - 2.5 mm ² solid (12 A - 1.5 mm ² stranded) for 7.5 mm (.295 in) and 7.62 mm (.300 in) pitch |
| | | 750 V - T 110 - 15 A - 2.5 mm ² solid (12 A - 1.5 mm ² stranded) for 10 mm (.394 in) and 10.16 mm (.400 in) pitch |

See also "Certifications of Products", page 14



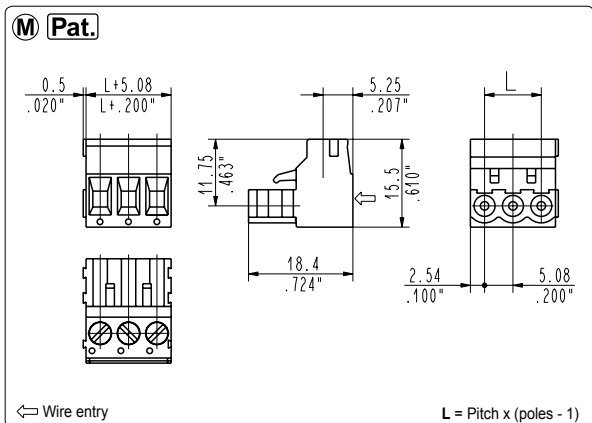
CIF_0M1 **Modular Female**
5 mm / .197" Pitch **Weight per pole: 2.08 g**

| Poles | STD Code | Pcs/pack. | W [kg]* | Pcs/Ind.** | W [kg]* |
|-------|----------|-----------|---------|------------|---------|
| 02 | CIF020M1 | 500 | 2,08 | 1500 | 6,24 |
| 03 | CIF030M1 | 400 | 2,50 | 1000 | 6,24 |
| 04 | CIF040M1 | 300 | 2,50 | 750 | 6,24 |
| 05 | CIF050M1 | 250 | 2,60 | 750 | 7,80 |



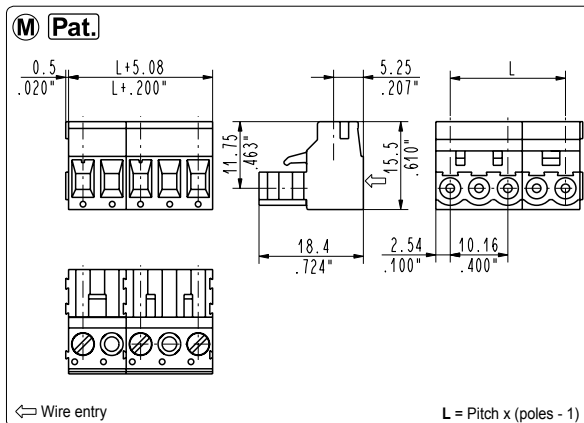
CIF_0M2 **Modular Female**
10 mm / .394" Pitch **Weight per pole: 2.35 g**

| Poles | STD Code | Pcs/pack. | W [kg]* | Pcs/Ind.** | W [kg]* |
|-------|----------|-----------|---------|------------|---------|
| 01 | CIF010M2 | 500 | 1,18 | 1000 | 2,35 |
| 02 | CIF020M2 | 400 | 0,28 | 750 | 0,10 |
| 03 | CIF030M2 | 250 | 0,56 | 500 | 0,09 |



CIF_0M5 **Modular Female**
5.08 mm / .200" Pitch **Weight per pole: 2.08 g**

| Poles | STD Code | Pcs/pack. | W [kg]* | Pcs/Ind.** | W [kg]* |
|-------|----------|-----------|---------|------------|---------|
| 02 | CIF020M5 | 500 | 2,08 | 1500 | 6,24 |
| 03 | CIF030M5 | 400 | 2,50 | 1000 | 6,24 |
| 04 | CIF040M5 | 300 | 2,50 | 750 | 6,24 |
| 05 | CIF050M5 | 250 | 2,60 | 750 | 7,80 |

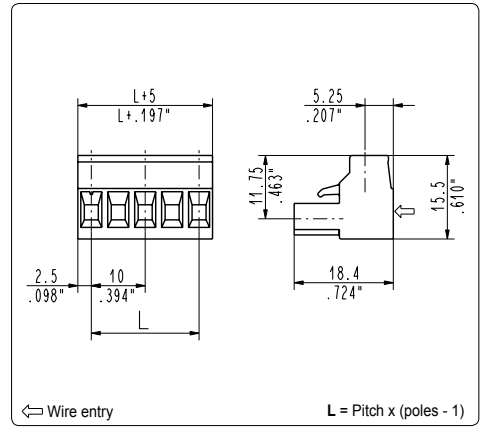
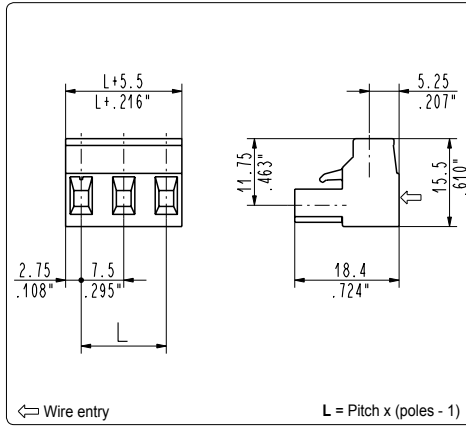
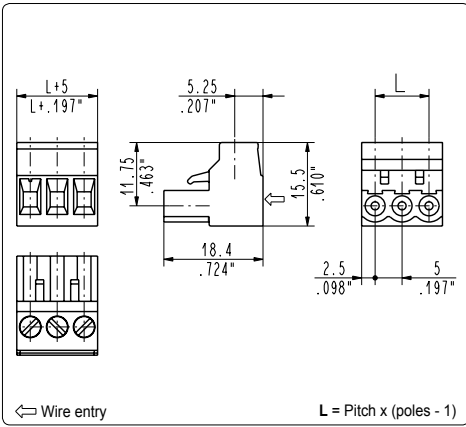


CIF_0M6 **Modular Female**
10.16 mm / .400" Pitch **Weight per pole: 2.35 g**

| Poles | STD Code | Pcs/pack. | W [kg]* | Pcs/Ind.** | W [kg]* |
|-------|----------|-----------|---------|------------|---------|
| 01 | CIF010M6 | 500 | 1,18 | 1000 | 2,35 |
| 02 | CIF020M6 | 400 | 0,28 | 750 | 0,10 |
| 03 | CIF030M6 | 250 | 0,56 | 500 | 0,09 |

*W [kg]: Approximate Weight per box in kg

**Industrial packaging: add "-00000E" at standard code



CIF_001 Side Stackable Female

5 mm / .197" Pitch Weight per pole: 2.08 g

| Poles | STD Code | Pcs/pack. | W [kg]* | Pcs/Ind.** | W [kg]* |
|-------|----------|-----------|---------|------------|---------|
| 02 | CIF02001 | 500 | 2,08 | 1500 | 6,24 |
| 03 | CIF03001 | 400 | 2,50 | 1000 | 6,24 |
| 04 | CIF04001 | 300 | 2,50 | 750 | 6,24 |
| 05 | CIF05001 | 250 | 2,60 | 750 | 7,80 |
| 06 | CIF06001 | 200 | 2,50 | 500 | 6,24 |
| 07 | CIF07001 | 175 | 2,55 | 500 | 7,28 |
| 08 | CIF08001 | 150 | 2,50 | 500 | 8,32 |
| 09 | CIF09001 | 125 | 2,34 | 250 | 4,68 |
| 10 | CIF10001 | 100 | 2,08 | 250 | 5,20 |
| 11 | CIF11001 | 100 | 2,29 | 250 | 5,72 |
| 12 | CIF12001 | 75 | 1,87 | 250 | 6,24 |
| 13 | CIF13001 | 75 | 2,03 | 250 | 6,76 |
| 14 | CIF14001 | 75 | 2,18 | 250 | 7,28 |
| 15 | CIF15001 | 75 | 2,34 | 250 | 7,80 |
| 16 | CIF16001 | 75 | 2,50 | 250 | 8,32 |
| 17 | CIF17001 | 50 | 1,77 | 250 | 8,84 |
| 18 | CIF18001 | 50 | 1,87 | 250 | 9,36 |
| 19 | CIF19001 | 50 | 1,98 | 125 | 4,94 |
| 20 | CIF20001 | 50 | 2,08 | 125 | 5,20 |
| 21 | CIF21001 | 50 | 2,18 | 125 | 5,46 |
| 22 | CIF22001 | 50 | 2,29 | 125 | 5,72 |
| 23 | CIF23001 | 50 | 2,39 | 125 | 5,98 |
| 24 | CIF24001 | 50 | 2,50 | 125 | 6,24 |
| 25 | CIF25001 | 50 | 2,60 | 125 | 6,50 |

CIF_003 Side Stackable Female

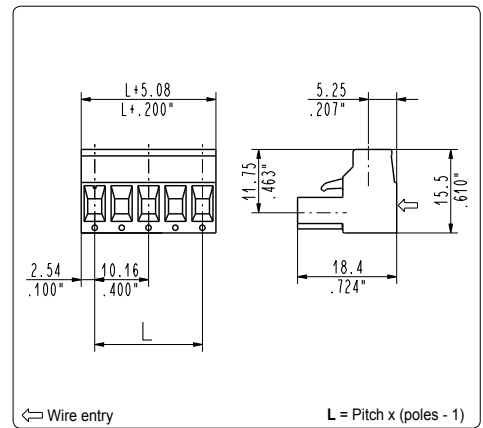
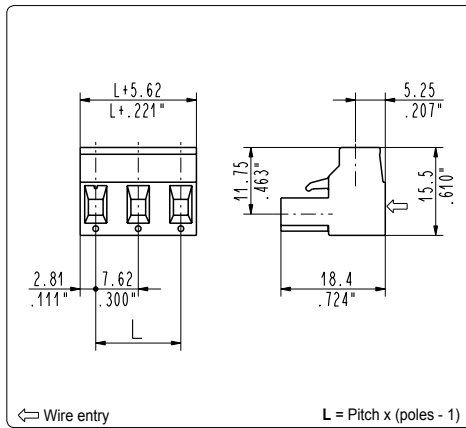
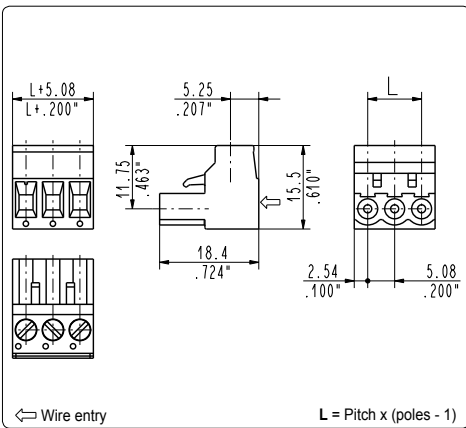
7.5 mm / .295" Pitch Weight per pole: 2.29 g

| Poles | STD Code | Pcs/pack. | W [kg]* | Pcs/Ind.** | W [kg]* |
|-------|----------|-----------|---------|------------|---------|
| 02 | CIF02003 | 400 | 1,83 | 1000 | 4,58 |
| 03 | CIF03003 | 250 | 1,72 | 1000 | 6,87 |
| 04 | CIF04003 | 200 | 1,83 | 500 | 4,58 |
| 05 | CIF05003 | 150 | 1,72 | 500 | 5,73 |
| 06 | CIF06003 | 125 | 1,72 | 250 | 3,44 |
| 07 | CIF07003 | 100 | 1,60 | 250 | 4,01 |
| 08 | CIF08003 | 75 | 1,37 | 250 | 4,58 |
| 09 | CIF09003 | 75 | 1,55 | 250 | 5,15 |
| 10 | CIF10003 | 75 | 1,72 | 250 | 5,73 |
| 11 | CIF11003 | 50 | 1,26 | 250 | 6,30 |
| 12 | CIF12003 | 50 | 1,37 | 250 | 6,87 |

CIF_002 Side Stackable Female

10 mm / .394" Pitch Weight per pole: 2.58 g

| Poles | STD Code | Pcs/pack. | W [kg]* | Pcs/Ind.** | W [kg]* |
|-------|----------|-----------|---------|------------|---------|
| 02 | CIF02002 | 400 | 2,06 | 1000 | 5,16 |
| 03 | CIF03002 | 250 | 1,94 | 750 | 5,81 |
| 04 | CIF04002 | 175 | 1,81 | 500 | 5,16 |
| 05 | CIF05002 | 125 | 1,61 | 250 | 3,23 |
| 06 | CIF06002 | 100 | 1,55 | 250 | 3,87 |
| 07 | CIF07002 | 75 | 1,35 | 250 | 4,52 |
| 08 | CIF08002 | 75 | 1,55 | 250 | 5,16 |
| 09 | CIF09002 | 50 | 1,16 | 250 | 5,81 |
| 10 | CIF10002 | 50 | 1,29 | 250 | 6,45 |
| 11 | CIF11002 | 50 | 1,42 | 250 | 7,01 |
| 12 | CIF12002 | 50 | 1,55 | 250 | 7,74 |
| 13 | CIF13002 | 50 | 1,68 | 250 | 8,39 |



CIF_005 Side Stackable Female

5.08 mm / .200" Pitch Weight per pole: 2.08 g

| Poles | STD Code | Pcs/pack. | W [kg]* | Pcs/Ind.** | W [kg]* |
|-------|----------|-----------|---------|------------|---------|
| 02 | CIF02005 | 500 | 2,08 | 1500 | 6,24 |
| 03 | CIF03005 | 400 | 2,50 | 1000 | 6,24 |
| 04 | CIF04005 | 300 | 2,50 | 750 | 6,24 |
| 05 | CIF05005 | 250 | 2,60 | 750 | 7,80 |
| 06 | CIF06005 | 200 | 2,50 | 500 | 6,24 |
| 07 | CIF07005 | 175 | 2,55 | 500 | 7,28 |
| 08 | CIF08005 | 150 | 2,50 | 500 | 8,32 |
| 09 | CIF09005 | 125 | 2,34 | 250 | 4,68 |
| 10 | CIF10005 | 100 | 2,08 | 250 | 5,20 |
| 11 | CIF11005 | 100 | 2,29 | 250 | 5,72 |
| 12 | CIF12005 | 75 | 1,87 | 250 | 6,24 |
| 13 | CIF13005 | 75 | 2,03 | 250 | 6,76 |
| 14 | CIF14005 | 75 | 2,18 | 250 | 7,28 |
| 15 | CIF15005 | 75 | 2,34 | 250 | 7,80 |
| 16 | CIF16005 | 75 | 2,50 | 250 | 8,32 |
| 17 | CIF17005 | 50 | 1,77 | 250 | 8,84 |
| 18 | CIF18005 | 50 | 1,87 | 250 | 9,36 |
| 19 | CIF19005 | 50 | 1,98 | 125 | 4,94 |
| 20 | CIF20005 | 50 | 2,08 | 125 | 5,20 |
| 21 | CIF21005 | 50 | 2,18 | 125 | 5,46 |
| 22 | CIF22005 | 50 | 2,29 | 125 | 5,72 |
| 23 | CIF23005 | 50 | 2,39 | 125 | 5,98 |
| 24 | CIF24005 | 50 | 2,50 | 125 | 6,24 |
| 25 | CIF25005 | 50 | 2,60 | 125 | 6,50 |

CIF_007 Side Stackable Female

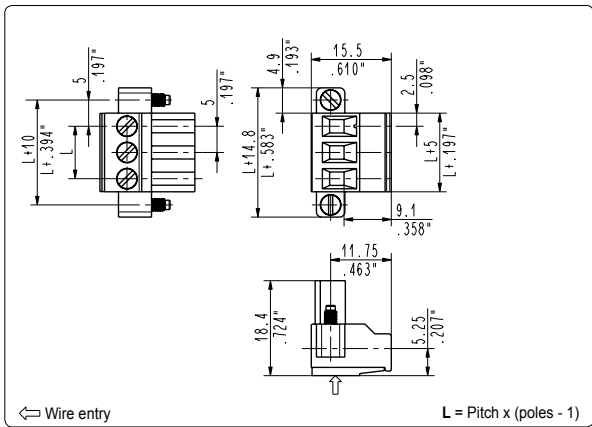
7.62 mm / .300" Pitch Weight per pole: 2.39 g

| Poles | STD Code | Pcs/pack. | W [kg]* | Pcs/Ind.** | W [kg]* |
|-------|----------|-----------|---------|------------|---------|
| 2 | CIF02007 | 400 | 1,91 | 1000 | 4,78 |
| 03 | CIF03007 | 250 | 1,79 | 1000 | 7,17 |
| 04 | CIF04007 | 200 | 1,91 | 500 | 4,78 |
| 05 | CIF05007 | 150 | 1,79 | 500 | 5,98 |
| 06 | CIF06007 | 125 | 1,79 | 250 | 3,59 |
| 07 | CIF07007 | 100 | 1,67 | 250 | 4,18 |
| 08 | CIF08007 | 75 | 1,43 | 250 | 4,78 |
| 09 | CIF09007 | 75 | 1,61 | 250 | 5,38 |
| 10 | CIF10007 | 75 | 1,79 | 250 | 5,98 |
| 11 | CIF11007 | 50 | 1,31 | 250 | 6,57 |
| 12 | CIF12007 | 50 | 1,43 | 250 | 7,17 |

CIF_006 Side Stackable Female

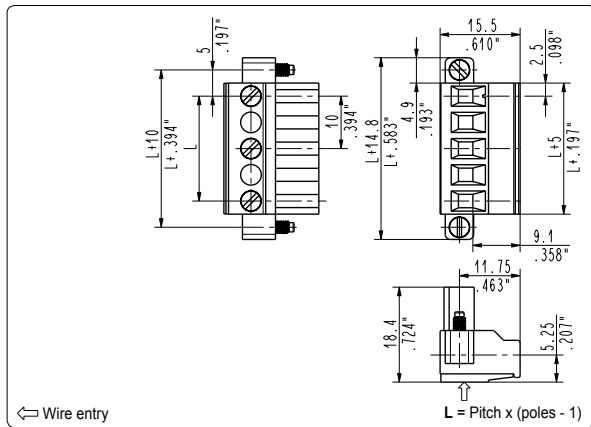
10.16 mm / .400" Pitch Weight per pole: 2.58 g

| Poles | STD Code | Pcs/pack. | W [kg]* | Pcs/Ind.** | W [kg]* |
|-------|----------|-----------|---------|------------|---------|
| 02 | CIF02006 | 400 | 2,06 | 1000 | 5,16 |
| 03 | CIF03006 | 250 | 1,94 | 750 | 5,81 |
| 04 | CIF04006 | 175 | 1,81 | 500 | 5,16 |
| 05 | CIF05006 | 125 | 1,61 | 250 | 3,23 |
| 06 | CIF06006 | 100 | 1,55 | 250 | 3,87 |
| 07 | CIF07006 | 75 | 1,35 | 250 | 4,52 |
| 08 | CIF08006 | 75 | 1,55 | 250 | 5,16 |
| 09 | CIF09006 | 50 | 1,16 | 250 | 5,81 |
| 10 | CIF10006 | 50 | 1,29 | 250 | 6,45 |
| 11 | CIF11006 | 50 | 1,42 | 250 | 7,01 |
| 12 | CIF12006 | 50 | 1,55 | 250 | 7,74 |
| 13 | CIF13006 | 50 | 1,68 | 250 | 8,39 |



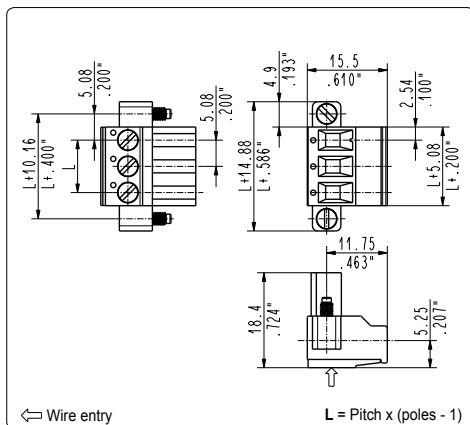
CIF_0V1 Locking Screw Flanges Female

| 5 mm / .197" Pitch | | Weight per pole: 2.39 g | | | |
|--------------------|----------|-------------------------|---------|------------|---------|
| Poles | STD Code | Pcs/pack. | W [kg]* | Pcs/Ind.** | W [kg]* |
| 02 | CIF020V1 | 300 | 1,43 | 1000 | 4,78 |
| 03 | CIF030V1 | 250 | 1,79 | 750 | 5,38 |
| 04 | CIF040V1 | 200 | 1,91 | 500 | 4,78 |
| 05 | CIF050V1 | 175 | 2,09 | 500 | 5,98 |
| 06 | CIF060V1 | 150 | 2,15 | 500 | 7,17 |
| 07 | CIF070V1 | 125 | 2,09 | 250 | 4,18 |
| 08 | CIF080V1 | 100 | 1,91 | 250 | 4,78 |



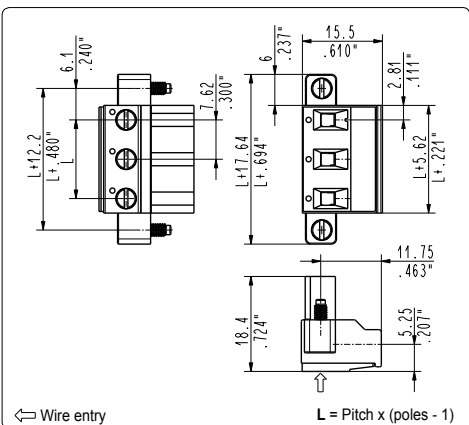
CIF_0V2 Locking Screw Flanges Female

| 10 mm / .394" Pitch | | Weight per pole: 2.65 g | | | |
|---------------------|----------|-------------------------|---------|------------|---------|
| Poles | STD Code | Pcs/pack. | W [kg]* | Pcs/Ind.** | W [kg]* |
| 02 | CIF020V6 | 250 | 1,33 | 750 | 3,98 |
| 03 | CIF030V6 | 175 | 1,39 | 500 | 3,98 |
| 04 | CIF040V6 | 125 | 1,33 | 250 | 2,65 |



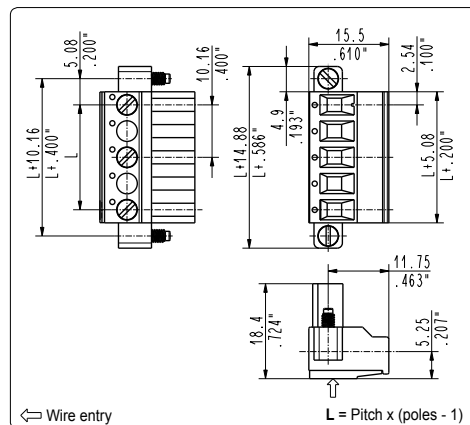
CIF_0V5 Locking Screw Flanges Female

| 5.08 mm / .200" Pitch | | Weight per pole: 2.39 g | | | |
|-----------------------|----------|-------------------------|---------|------------|---------|
| Poles | STD Code | Pcs/pack. | W [kg]* | Pcs/Ind.** | W [kg]* |
| 02 | CIF020V5 | 300 | 1,43 | 1000 | 4,78 |
| 03 | CIF030V5 | 250 | 1,79 | 750 | 5,38 |
| 04 | CIF040V5 | 200 | 1,91 | 500 | 4,78 |
| 05 | CIF050V5 | 175 | 2,09 | 500 | 5,98 |
| 06 | CIF060V5 | 150 | 2,15 | 500 | 7,17 |
| 07 | CIF070V5 | 125 | 2,09 | 250 | 4,18 |
| 08 | CIF080V5 | 100 | 1,91 | 250 | 4,78 |
| 09 | CIF090V5 | 100 | 2,15 | 250 | 5,38 |
| 10 | CIF100V5 | 75 | 1,79 | 250 | 5,98 |
| 11 | CIF110V5 | 75 | 1,97 | 250 | 6,57 |
| 12 | CIF120V5 | 75 | 2,15 | 250 | 7,17 |
| 13 | CIF130V5 | 75 | 2,33 | 250 | 7,77 |
| 14 | CIF140V5 | 75 | 2,51 | 250 | 8,37 |
| 15 | CIF150V5 | 50 | 1,79 | 125 | 4,48 |
| 16 | CIF160V5 | 50 | 1,91 | 125 | 4,78 |
| 17 | CIF170V5 | 50 | 2,03 | 125 | 5,08 |
| 18 | CIF180V5 | 50 | 2,15 | 125 | 5,38 |
| 19 | CIF190V5 | 50 | 2,27 | 125 | 5,68 |
| 20 | CIF200V5 | 50 | 2,39 | 125 | 5,98 |
| 21 | CIF210V5 | 50 | 2,51 | 125 | 6,27 |
| 22 | CIF220V5 | 50 | 2,63 | 125 | 6,57 |
| 23 | CIF230V5 | 50 | 2,75 | 125 | 6,87 |



CIF_0V7 Locking Screw Flanges Female

| 7.62 mm / .300" Pitch | | Weight per pole: 2.60 g | | | |
|-----------------------|----------|-------------------------|---------|------------|---------|
| Poles | STD Code | Pcs/pack. | W [kg]* | Pcs/Ind.** | W [kg]* |
| 02 | CIF020V7 | 250 | 1,30 | 750 | 3,90 |
| 03 | CIF030V7 | 175 | 1,37 | 500 | 3,90 |
| 04 | CIF040V7 | 125 | 1,30 | 250 | 2,60 |
| 05 | CIF050V7 | 100 | 1,30 | 250 | 3,25 |
| 06 | CIF060V7 | 75 | 1,17 | 250 | 3,90 |
| 07 | CIF070V7 | 75 | 1,37 | 250 | 4,55 |
| 08 | CIF080V7 | 50 | 1,04 | 125 | 2,60 |
| 09 | CIF090V7 | 50 | 1,17 | 125 | 2,93 |
| 10 | CIF100V7 | 50 | 1,30 | 125 | 3,25 |
| 11 | CIF110V7 | 50 | 1,43 | 125 | 3,58 |
| 12 | CIF120V7 | 50 | 1,56 | 125 | 3,90 |



CIF_0V6 Locking Screw Flanges Female

| 10.16 mm / .400" Pitch | | Weight per pole: 2.65 g | | | |
|------------------------|----------|-------------------------|---------|------------|---------|
| Poles | STD Code | Pcs/pack. | W [kg]* | Pcs/Ind.** | W [kg]* |
| 02 | CIF020V6 | 250 | 1,33 | 750 | 3,98 |
| 03 | CIF030V6 | 175 | 1,39 | 500 | 3,98 |
| 04 | CIF040V6 | 125 | 1,33 | 250 | 2,65 |
| 05 | CIF050V6 | 100 | 1,33 | 250 | 3,31 |
| 06 | CIF060V6 | 75 | 1,19 | 250 | 3,98 |
| 07 | CIF070V6 | 75 | 1,39 | 250 | 4,64 |
| 08 | CIF080V6 | 50 | 1,06 | 125 | 2,65 |
| 09 | CIF090V6 | 50 | 1,19 | 125 | 2,98 |
| 10 | CIF100V6 | 50 | 1,33 | 125 | 3,31 |
| 11 | CIF110V6 | 50 | 1,46 | 125 | 3,64 |
| 12 | CIF120V6 | 50 | 1,59 | 125 | 3,98 |

*W [kg]: Approximate Weight per box in kg

**Industrial packaging: add "-00000E" at standard code

