

CSF - CSM

Functional Characteristics



Dimensional Class:

Low



Standard Colour:

Green



Dimensions:

14 x 11.5 mm (.551 x .453 in)



Max Approved Wire Size:

solid: 2.5 mm² (IMQ); 14 AWG (UL)

stranded: 1.5 mm² (IMQ); 14 AWG (UL)

Clamp Opening Size:

2.5 x 2 mm (.098 x .079 in)



Versions:

Side Stackable, Modular,
Locking Screw Flanges



Single Mould Poles:

from 2 to 25 (Modular and Side Stackable)

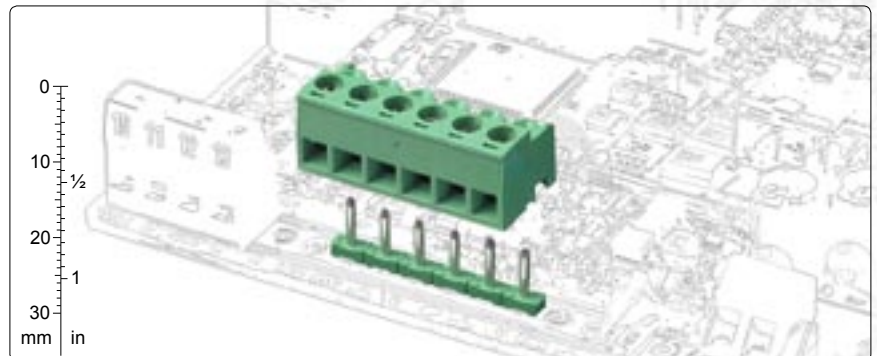
from 2 to 23 (Locking Screw Flanges)



Pitches:

Metric 5 mm, 10 mm

(.197in, .394 in)



pitch 5 mm
from 2 to 25 poles
side stackable
90° version



pitch 5 mm
from 2 to 25 poles
side stackable
straight version



pitch 5 mm
from 2 to 25 poles
side stackable
straight version



pitch 5 mm
from 2 to 25 poles
side stackable
90° - 270° version



pitch 5 mm
from 2 to 25 poles
side stackable
90° - 270° version



pitch 5 mm
from 2 to 25 poles
with hook
90° - 270° version



pitch 5 mm
from 2 to 23 poles
locking screw flange
90° - 270° version

Pat.



available accessories:
from 2 to 9 poles
BSC for rising clamp



COF-SP1
coding splines

Brief Description

CSF__01_: Specific for Dritta insertion (industrial use).

The contact spring in this CSF version has been purposely studied for Dritta insertions therefore guaranteeing Alta reliability of the electrical contact even after much use. Direction of insertion of the CSM male connector is one direction only. See diagram at page 137.

CSF__09_: Specific for 90° e 270° insertion (industrial use).

The contact spring in this CSF version has been purposely studied for 90° e 270° insertion therefore guaranteeing Alta reliability of the electrical contact even after much use. Direction of insertion of the CSM male connection is two directions. See diagram at page 137.

CSF__00_: Non- specific, 90° e 270° Dritta insertion (flexible use of for pre-series).

The contact spring in this CSF version has been purposely studied for maximum flexibility of use which permits insertion of the CSM male connector in 3 directions. See diagram at page 137. Its versatility permits a reduction in stock, regardless of its specific use. On the other hand, the geometry of the contact spring means that this product must be used with care. In order that the connection between CSF e CSM is correct, it is necessary a solder the CSM male connector making sure that the terminals are parallel. We recommend utilizing the CSF products for industrial use.

Please see page 18 – 19 for polarization of the CS connector series.

CSF__0J_: Specific for 90° e 270° insertion (industrial use)

The contact spring in this CSF series has been purposely studied for 90° e 270° insertion e therefore guarantees maximum reliability of the electrical contact even after much use. Direction of insertion of the CSM male connector is in two directions.

CSF__0S_: Specific for 90° e 270° insertion (industrial use).

The contact spring in this CSF series has been purposely studied for 90° e 270° insertion e therefore guarantees Alta reliability of the electrical contact even after much use. Direction of insertion of the CSM male connector is in two directions. The hooks make it possible a secure the product onto the bottom of the box, in this way meeting the safety requirements which state that it is necessary that the voltage is interrupted when the lid, on the board where the corresponding male (CSM) is soldered, is removed. Moreover it is possible a change the number of the poli of the connector without having a change the box.

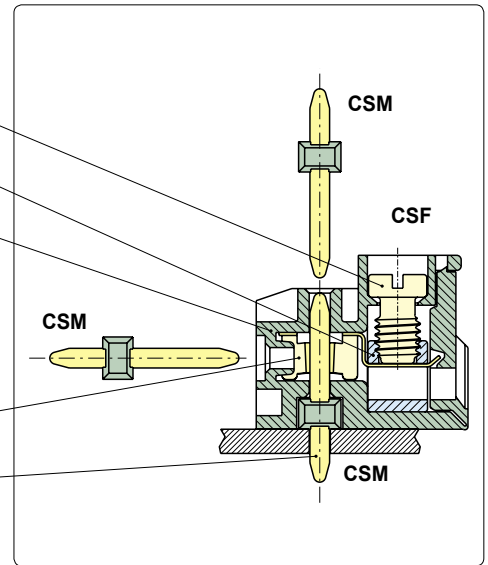
CSF__0F_: Specific for 90° e 270° insertion (industrial use).

The contact spring in this CSF version has been purposely studied for 90° e 270° insertion e therefore guarantees Alta reliability of the electrical contact even after much use. Direction of insertion of the CSM male connector is in two directions. The screws make it possible a meet in a different way, the same safety requirements mentioned above con the CSF__0S_ products,. Moreover, this solution means that a sealed box can be used.

The Verde or black CSM can be soldered in SMD ovens up a 270°.

Characteristics of Components

- M3 nickel plated Copper Alloy Screw.
- Nickel-plated Copper Alloy Rising Clamp.
- PA 6.6.Polyamide Housing.
Standard Colour: GREEN.
V0 Self-extinguishing according to UL 94.
Chlorinated solvents resistant,
with no Phosphor, Dioxin or
detrimental to health Halogens.
- Leadfree tin-plated Copper Alloy Spring.
- Easy to solder lead-free
tin-plated Copper Alloy Pin.



Mechanical Characteristics

| | |
|---------------------------------------|-------------------------------------|
| Insertion force per pole | max 2 N (max .450 lbf) |
| Withdrawal force per pole | min 1,2 N (min .270 lbf) |
| Recommended/Highest tightening torque | 0.5/0.6 Nm (4.42/5.30 lbf*in) |
| PCB thickness | max 2.4 mm (.094 in) |
| PCB hole diameter | min 1.4 mm (.055 in) |
| Stripping length | 4 ÷ 6 mm (.16 ÷ .24 in) |
| Operating temperature range | -40 °C ÷ +110 °C (-40 °F ÷ +230 °F) |
| Climatic category | 40/110/21 According to EN 60068-1 |

Electric Characteristics*

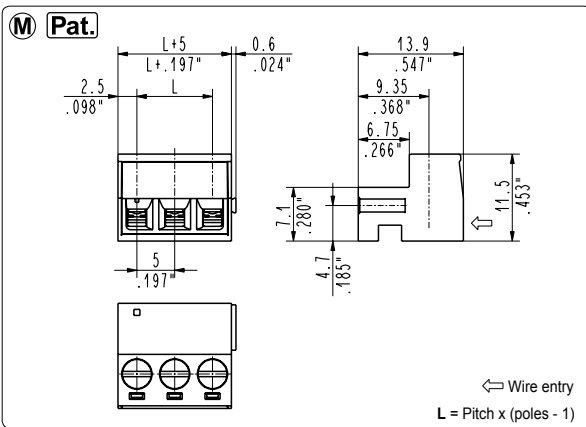
| | |
|---|--|
| Solid wire section | 0.05 mm ² ÷ 2,5 mm ² (IMQ)* 30÷14 AWG (UL, CSA)* |
| Stranded wire section | 0.05 mm ² ÷ 1,5 mm ² (IMQ)* 30÷14 AWG (UL, CSA)* |
| Rated voltage for 5 mm (.197 in) pitch | 300 V (UL, CSA)* |
| Rated voltage for 10 mm (.394 in) pitch | 750 V (IMQ)* |
| Rated current | 15 A (IMQ)* |
| Contact resistance | <15 mΩ |
| Insulation resistance | >10 ⁹ Ω (500V DC) |

*All the a.m. data refer to the highest values amongst the certificated ones.
V voltage, I current values and tightening torque are related to the norms to be applied to the product and to its use.

Approvals

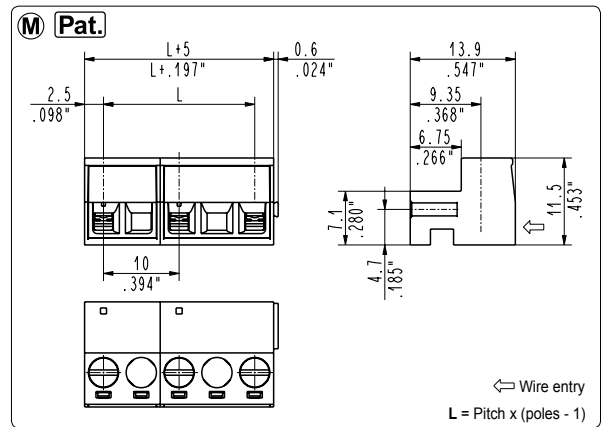
| | | | |
|--|---------------------------|---|---|
| | CE: | 250 V - T 110 - 15 A - 2.5 mm ² solid (12 A - 1.5 mm ² stranded) for 5 mm pitch (*) 750 V - T 110 - 15 A - 2.5 mm ² solid (12 A - 1.5 mm ² stranded) for 10 mm pitch (*) (*) 13.5 A - 2.5 mm ² solid and 10 A - 1.5 mm ² stranded for CSF__091 and CSF__092 | |
| | | UL: File E 167473 | 300 V - 12 A - 30÷14 AWG for 5 mm pitch (10A for CSF__091) 600 V - 12 A - 30÷14 AWG for 10 mm pitch (10A for CSF__092) Application values for end-use equipment have to be in accordance to UL norms and applicable to it. |
| | | CSA: File LR 102896 | 300 V - 12 A - 30÷14 AWG for 5 mm pitch (10 A for CSF__091) 600 V - 12 A - 30÷14 AWG for 10 mm pitch (10 A for CSF__092) |
| | VDE: Reg. N. 124817 ÜG | 250 V - 12 A - T 100 - 1.5 mm ² for 5 mm pitch (10 A - T 95 for CSF__091) 750 V - 12 A - T 100 - 1.5 mm ² for 10 mm pitch (10 A - T 95 for CSF__092) | |
| | | IMQ: File EE099 | 250 V - T 110 - 15 A - 2.5 mm ² solid (12 A - 1.5 mm ² stranded) for 5 mm pitch (*) 750 V - T 110 - 15 A - 2.5 mm ² solid (12 A - 1.5 mm ² stranded) for 10 mm pitch (*) (*) 13.5 A - 2.5 mm ² solid and 10 A - 1.5 mm ² stranded for CSF__091 and CSF__092 |

See also "Certifications of Products", page 14



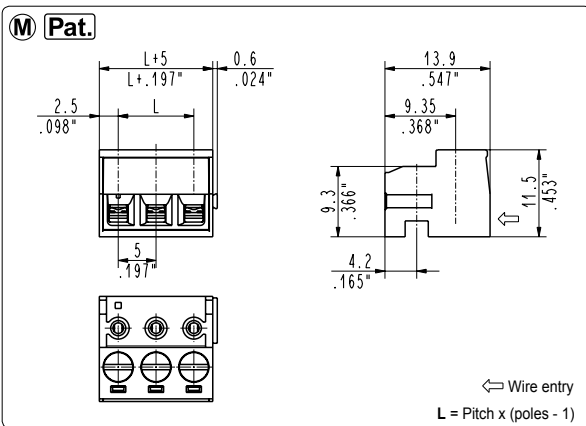
CSF_0M1 Straight, Modular Female

| 5 mm / .197" Pitch | | | Weight per pole: 1.20 g | | |
|--------------------|----------|-----------|-------------------------|------------|---------|
| Poles | STD Code | Pcs/pack. | W [kg]* | Pcs/Ind.** | W [kg]* |
| 02 | CSF020M1 | 450 | 1,08 | 2500 | 6,00 |
| 03 | CSF030M1 | 300 | 1,08 | 1750 | 6,30 |
| 04 | CSF040M1 | 225 | 1,08 | 1500 | 7,20 |
| 05 | CSF050M1 | 175 | 1,05 | 1000 | 6,00 |
| 06 | CSF060M1 | 150 | 1,08 | 750 | 5,40 |
| 07 | CSF070M1 | 125 | 1,05 | 750 | 6,30 |
| 08 | CSF080M1 | 100 | 0,96 | 500 | 4,80 |
| 09 | CSF090M1 | 100 | 1,08 | 500 | 5,40 |
| 10 | CSF100M1 | 75 | 0,90 | 500 | 6,00 |
| 11 | CSF110M1 | 75 | 0,99 | 500 | 6,60 |
| 12 | CSF120M1 | 75 | 1,08 | 500 | 7,20 |
| 13 | CSF130M1 | 50 | 0,78 | 500 | 7,80 |
| 14 | CSF140M1 | 50 | 0,84 | 250 | 4,20 |
| 15 | CSF150M1 | 50 | 0,90 | 250 | 4,50 |
| 16 | CSF160M1 | 50 | 0,96 | 250 | 4,80 |
| 17 | CSF170M1 | 50 | 1,02 | 250 | 5,10 |
| 18 | CSF180M1 | 50 | 1,08 | 250 | 5,40 |
| 19 | CSF190M1 | 50 | 1,14 | 250 | 5,70 |
| 20 | CSF200M1 | 50 | 1,20 | 250 | 6,00 |
| 21 | CSF210M1 | 50 | 1,26 | 250 | 6,30 |
| 22 | CSF220M1 | 50 | 1,32 | 250 | 6,60 |
| 23 | CSF230M1 | 50 | 1,38 | 250 | 6,90 |
| 24 | CSF240M1 | 50 | 1,44 | 250 | 7,20 |
| 25 | CSF250M1 | 50 | 1,50 | 250 | 7,50 |



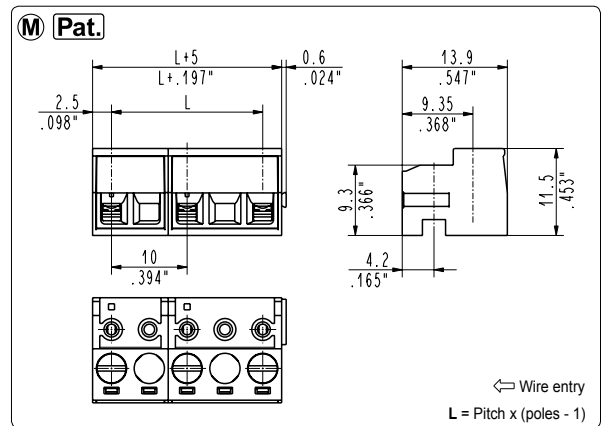
CSF_0M2 Straight, Modular Female

| 10 mm / .394" Pitch | | | Weight per pole: 1.52 g | | |
|---------------------|----------|-----------|-------------------------|------------|---------|
| Poles | STD Code | Pcs/pack. | W [kg]* | Pcs/Ind.** | W [kg]* |
| 01 | CSF010M2 | 450 | 0,68 | 2500 | 3,80 |
| 02 | CSF020M2 | 300 | 0,91 | 1750 | 5,32 |
| 03 | CSF030M2 | 175 | 0,80 | 1000 | 4,56 |
| 04 | CSF040M2 | 125 | 0,76 | 750 | 4,56 |
| 05 | CSF050M2 | 100 | 0,76 | 500 | 3,80 |
| 06 | CSF060M2 | 75 | 0,68 | 500 | 4,56 |
| 07 | CSF070M2 | 50 | 0,53 | 250 | 2,66 |
| 08 | CSF080M2 | 50 | 0,61 | 250 | 3,04 |
| 09 | CSF090M2 | 50 | 0,68 | 250 | 3,42 |
| 10 | CSF100M2 | 50 | 0,76 | 250 | 3,80 |
| 11 | CSF110M2 | 50 | 0,84 | 250 | 4,18 |
| 12 | CSF120M2 | 50 | 0,91 | 250 | 4,56 |
| 13 | CSF130M2 | 50 | 0,99 | 250 | 4,94 |



CSF_0W1 90°-270°, Modular Female

| 5 mm / .197" Pitch | | | Weight per pole: 1.20 g | | |
|--------------------|----------|-----------|-------------------------|------------|---------|
| Poles | STD Code | Pcs/pack. | W [kg]* | Pcs/Ind.** | W [kg]* |
| 02 | CSF020W1 | 450 | 1,08 | 2500 | 6,00 |
| 03 | CSF030W1 | 300 | 1,08 | 1750 | 6,30 |
| 04 | CSF040W1 | 225 | 1,08 | 1500 | 7,20 |
| 05 | CSF050W1 | 175 | 1,05 | 1000 | 6,00 |
| 06 | CSF060W1 | 150 | 1,08 | 750 | 5,40 |
| 07 | CSF070W1 | 125 | 1,05 | 750 | 6,30 |
| 08 | CSF080W1 | 100 | 0,96 | 500 | 4,80 |
| 09 | CSF090W1 | 100 | 1,08 | 500 | 5,40 |
| 10 | CSF100W1 | 75 | 0,90 | 500 | 6,00 |
| 11 | CSF110W1 | 75 | 0,99 | 500 | 6,60 |
| 12 | CSF120W1 | 75 | 1,08 | 500 | 7,20 |
| 13 | CSF130W1 | 50 | 0,78 | 500 | 7,80 |
| 14 | CSF140W1 | 50 | 0,84 | 250 | 4,20 |
| 15 | CSF150W1 | 50 | 0,90 | 250 | 4,50 |
| 16 | CSF160W1 | 50 | 0,96 | 250 | 4,80 |
| 17 | CSF170W1 | 50 | 1,02 | 250 | 5,10 |
| 18 | CSF180W1 | 50 | 1,08 | 250 | 5,40 |
| 19 | CSF190W1 | 50 | 1,14 | 250 | 5,70 |
| 20 | CSF200W1 | 50 | 1,20 | 250 | 6,00 |
| 21 | CSF210W1 | 50 | 1,26 | 250 | 6,30 |
| 22 | CSF220W1 | 50 | 1,32 | 250 | 6,60 |
| 23 | CSF230W1 | 50 | 1,38 | 250 | 6,90 |
| 24 | CSF240W1 | 50 | 1,44 | 250 | 7,20 |
| 25 | CSF250W1 | 50 | 1,50 | 250 | 7,50 |

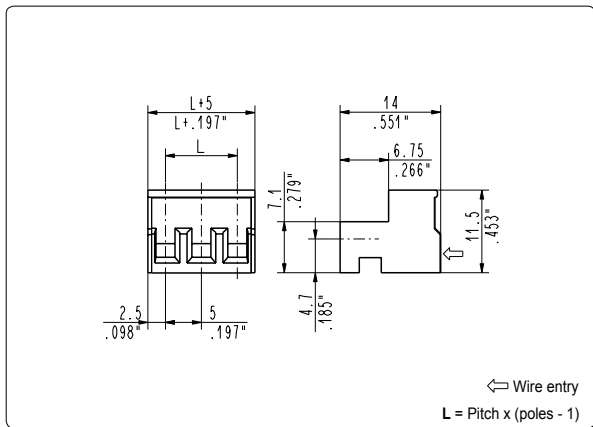


CSF_0W2 90°-270°, Modular Female

| 10 mm / .394" Pitch | | | Weight per pole: 1.52 g | | |
|---------------------|----------|-----------|-------------------------|------------|---------|
| Poles | STD Code | Pcs/pack. | W [kg]* | Pcs/Ind.** | W [kg]* |
| 01 | CSF010W2 | 450 | 0,68 | 2500 | 3,80 |
| 02 | CSF020W2 | 300 | 0,91 | 1750 | 5,32 |
| 03 | CSF030W2 | 175 | 0,80 | 1000 | 4,56 |
| 04 | CSF040W2 | 125 | 0,76 | 750 | 4,56 |
| 05 | CSF050W2 | 100 | 0,76 | 500 | 3,80 |
| 06 | CSF060W2 | 75 | 0,68 | 500 | 4,56 |
| 07 | CSF070W2 | 50 | 0,53 | 250 | 2,66 |
| 08 | CSF080W2 | 50 | 0,61 | 250 | 3,04 |
| 09 | CSF090W2 | 50 | 0,68 | 250 | 3,42 |
| 10 | CSF100W2 | 50 | 0,76 | 250 | 3,80 |
| 11 | CSF110W2 | 50 | 0,84 | 250 | 4,18 |
| 12 | CSF120W2 | 50 | 0,91 | 250 | 4,56 |
| 13 | CSF130W2 | 50 | 0,99 | 250 | 4,94 |

*W [kg]: Approximate Weight per box in kg

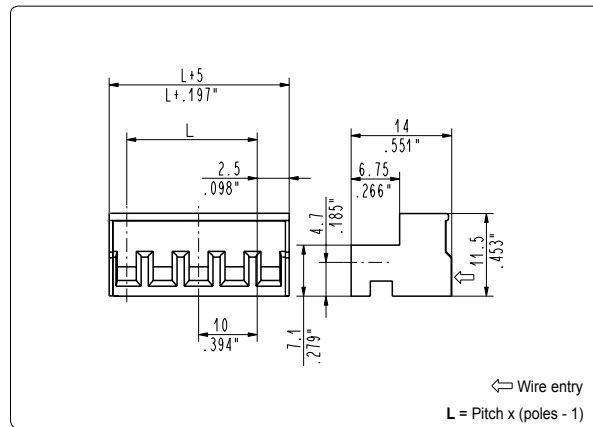
**Industrial packaging: add "-00000E" at standard code



CSF_011 Straight, Female

5 mm / .197" Pitch Weight per pole: 1.21 g

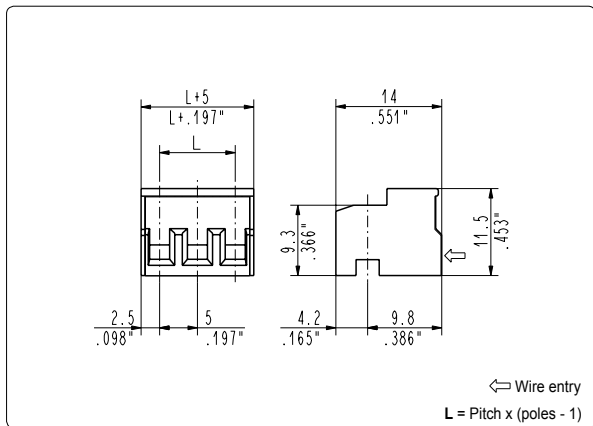
| Poles | STD Code | Pcs/pack. | W [kg]* | Pcs/Ind.** | W [kg]* |
|-------|----------|-----------|---------|------------|---------|
| 02 | CSF02011 | 450 | 1,09 | 2500 | 6,05 |
| 03 | CSF03011 | 300 | 1,09 | 1750 | 6,35 |
| 04 | CSF04011 | 225 | 1,09 | 1500 | 7,26 |
| 05 | CSF05011 | 175 | 1,06 | 1000 | 6,05 |
| 06 | CSF06011 | 150 | 1,09 | 750 | 5,45 |
| 07 | CSF07011 | 125 | 1,06 | 750 | 6,35 |
| 08 | CSF08011 | 100 | 0,97 | 500 | 4,84 |
| 09 | CSF09011 | 100 | 1,09 | 500 | 5,45 |
| 10 | CSF10011 | 75 | 0,91 | 500 | 6,05 |
| 11 | CSF11011 | 75 | 1,00 | 500 | 6,66 |
| 12 | CSF12011 | 75 | 1,09 | 500 | 7,26 |
| 13 | CSF13011 | 50 | 0,79 | 500 | 7,87 |
| 14 | CSF14011 | 50 | 0,85 | 250 | 4,24 |
| 15 | CSF15011 | 50 | 0,91 | 250 | 4,54 |
| 16 | CSF16011 | 50 | 0,97 | 250 | 4,84 |
| 17 | CSF17011 | 50 | 1,03 | 250 | 5,14 |
| 18 | CSF18011 | 50 | 1,09 | 250 | 5,45 |
| 19 | CSF19011 | 50 | 1,15 | 250 | 5,75 |
| 20 | CSF20011 | 50 | 1,21 | 250 | 6,05 |
| 21 | CSF21011 | 50 | 1,27 | 250 | 6,35 |
| 22 | CSF22011 | 50 | 1,33 | 250 | 6,66 |
| 23 | CSF23011 | 50 | 1,39 | 250 | 6,96 |
| 24 | CSF24011 | 50 | 1,45 | 250 | 7,26 |
| 25 | CSF25011 | 50 | 1,51 | 250 | 7,56 |



CSF_012 Straight, Female

10 mm / .394" Pitch Weight per pole: 1.53 g

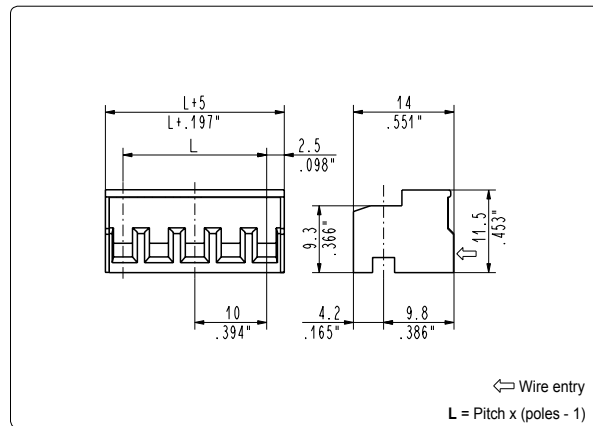
| Poles | STD Code | Pcs/pack. | W [kg]* | Pcs/Ind.** | W [kg]* |
|-------|----------|-----------|---------|------------|---------|
| 02 | CSF02012 | 300 | 0,92 | 1750 | 5,36 |
| 03 | CSF03012 | 175 | 0,80 | 1000 | 4,59 |
| 04 | CSF04012 | 125 | 0,77 | 750 | 4,59 |
| 05 | CSF05012 | 100 | 0,77 | 500 | 3,83 |
| 06 | CSF06012 | 75 | 0,69 | 500 | 4,59 |
| 07 | CSF07012 | 50 | 0,54 | 250 | 2,68 |
| 08 | CSF08012 | 50 | 0,61 | 250 | 3,06 |
| 09 | CSF09012 | 50 | 0,69 | 250 | 3,44 |
| 10 | CSF10012 | 50 | 0,77 | 250 | 3,83 |
| 11 | CSF11012 | 50 | 0,84 | 250 | 4,21 |
| 12 | CSF12012 | 50 | 0,92 | 250 | 4,59 |
| 13 | CSF13012 | 50 | 0,99 | 250 | 4,97 |



CSF_091 90° - 270°, Female

5 mm / .197" Pitch Weight per pole: 1.21 g

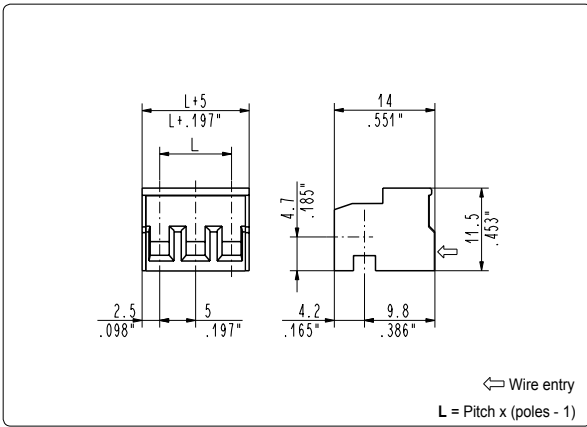
| Poles | STD Code | Pcs/pack. | W [kg]* | Pcs/Ind.** | W [kg]* |
|-------|----------|-----------|---------|------------|---------|
| 02 | CSF02091 | 450 | 1,09 | 2500 | 6,05 |
| 03 | CSF03091 | 300 | 1,09 | 1750 | 6,35 |
| 04 | CSF04091 | 225 | 1,09 | 1500 | 7,26 |
| 05 | CSF05091 | 175 | 1,06 | 1000 | 6,05 |
| 06 | CSF06091 | 150 | 1,09 | 750 | 5,45 |
| 07 | CSF07091 | 125 | 1,06 | 750 | 6,35 |
| 08 | CSF08091 | 100 | 0,97 | 500 | 4,84 |
| 09 | CSF09091 | 100 | 1,09 | 500 | 5,45 |
| 10 | CSF10091 | 75 | 0,91 | 500 | 6,05 |
| 11 | CSF11091 | 75 | 1,00 | 500 | 6,66 |
| 12 | CSF12091 | 75 | 1,09 | 500 | 7,26 |
| 13 | CSF13091 | 50 | 0,79 | 500 | 7,87 |
| 14 | CSF14091 | 50 | 0,85 | 250 | 4,24 |
| 15 | CSF15091 | 50 | 0,91 | 250 | 4,54 |
| 16 | CSF16091 | 50 | 0,97 | 250 | 4,84 |
| 17 | CSF17091 | 50 | 1,03 | 250 | 5,14 |
| 18 | CSF18091 | 50 | 1,09 | 250 | 5,45 |
| 19 | CSF19091 | 50 | 1,15 | 250 | 5,75 |
| 20 | CSF20091 | 50 | 1,21 | 250 | 6,05 |
| 21 | CSF21091 | 50 | 1,27 | 250 | 6,35 |
| 22 | CSF22091 | 50 | 1,33 | 250 | 6,66 |
| 23 | CSF23091 | 50 | 1,39 | 250 | 6,96 |
| 24 | CSF24091 | 50 | 1,45 | 250 | 7,26 |
| 25 | CSF25091 | 50 | 1,51 | 250 | 7,56 |



CSF_092 90° - 270°, Female

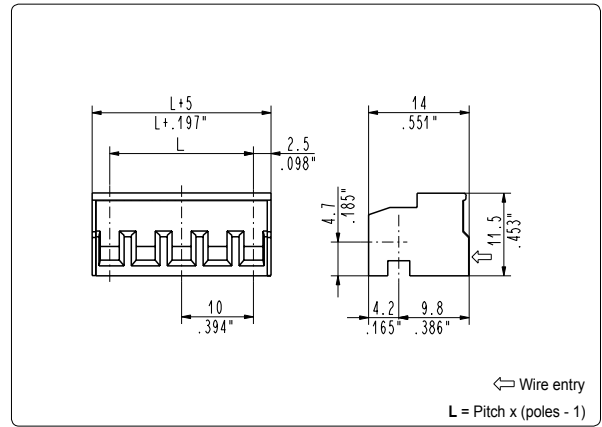
10 mm / .394" Pitch Weight per pole: 1.53 g

| Poles | STD Code | Pcs/pack. | W [kg]* | Pcs/Ind.** | W [kg]* |
|-------|----------|-----------|---------|------------|---------|
| 02 | CSF02092 | 300 | 0,92 | 1750 | 5,36 |
| 03 | CSF03092 | 175 | 0,80 | 1000 | 4,59 |
| 04 | CSF04092 | 125 | 0,77 | 750 | 4,59 |
| 05 | CSF05092 | 100 | 0,77 | 500 | 3,83 |
| 06 | CSF06092 | 75 | 0,69 | 500 | 4,59 |
| 07 | CSF07092 | 50 | 0,54 | 250 | 2,68 |
| 08 | CSF08092 | 50 | 0,61 | 250 | 3,06 |
| 09 | CSF09092 | 50 | 0,69 | 250 | 3,44 |
| 10 | CSF10092 | 50 | 0,77 | 250 | 3,83 |
| 11 | CSF11092 | 50 | 0,84 | 250 | 4,21 |
| 12 | CSF12092 | 50 | 0,92 | 250 | 4,59 |
| 13 | CSF13092 | 50 | 0,99 | 250 | 4,97 |



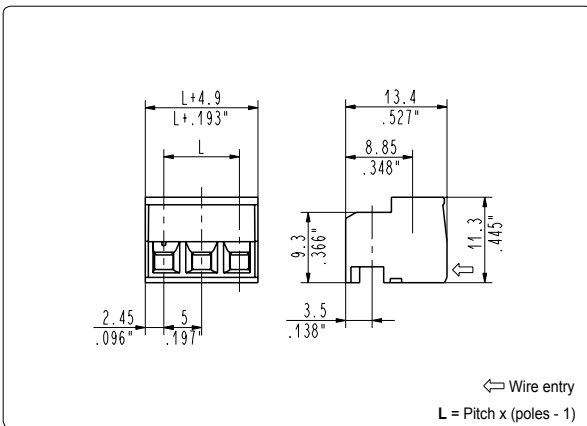
CSF_001 Straight - 90° - 270°, Female

| 5 mm / .197" Pitch | | | Weight per pole: 1.21 g | | |
|--------------------|----------|-----------|-------------------------|------------|---------|
| Poles | STD Code | Pcs/pack. | W [kg]* | Pcs/Ind.** | W [kg]* |
| 02 | CSF02001 | 450 | 1,09 | 2500 | 6,05 |
| 03 | CSF03001 | 300 | 1,09 | 1750 | 6,35 |
| 04 | CSF04001 | 225 | 1,09 | 1500 | 7,26 |
| 05 | CSF05001 | 175 | 1,06 | 1000 | 6,05 |
| 06 | CSF06001 | 150 | 1,09 | 750 | 5,45 |
| 07 | CSF07001 | 125 | 1,06 | 750 | 6,35 |
| 08 | CSF08001 | 100 | 0,97 | 500 | 4,84 |
| 09 | CSF09001 | 100 | 1,09 | 500 | 5,45 |
| 10 | CSF10001 | 75 | 0,91 | 500 | 6,05 |
| 11 | CSF11001 | 75 | 1,00 | 500 | 6,66 |
| 12 | CSF12001 | 75 | 1,09 | 500 | 7,26 |
| 13 | CSF13001 | 50 | 0,79 | 500 | 7,87 |
| 14 | CSF14001 | 50 | 0,85 | 250 | 4,24 |
| 15 | CSF15001 | 50 | 0,91 | 250 | 4,54 |
| 16 | CSF16001 | 50 | 0,97 | 250 | 4,84 |
| 17 | CSF17001 | 50 | 1,03 | 250 | 5,14 |
| 18 | CSF18001 | 50 | 1,09 | 250 | 5,45 |
| 19 | CSF19001 | 50 | 1,15 | 250 | 5,75 |
| 20 | CSF20001 | 50 | 1,21 | 250 | 6,05 |
| 21 | CSF21001 | 50 | 1,27 | 250 | 6,35 |
| 22 | CSF22001 | 50 | 1,33 | 250 | 6,66 |
| 23 | CSF23001 | 50 | 1,39 | 250 | 6,96 |
| 24 | CSF24001 | 50 | 1,45 | 250 | 7,26 |
| 25 | CSF25001 | 50 | 1,51 | 250 | 7,56 |



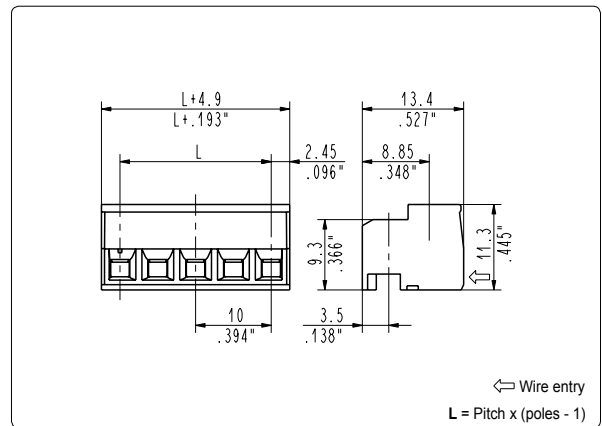
CSF_002 Straight - 90° - 270°, Female

| 10 mm / .394" Pitch | | | Weight per pole: 1.53 g | | |
|---------------------|----------|-----------|-------------------------|------------|---------|
| Poles | STD Code | Pcs/pack. | W [kg]* | Pcs/Ind.** | W [kg]* |
| 02 | CSF02002 | 300 | 0,92 | 1750 | 5,36 |
| 03 | CSF03002 | 175 | 0,80 | 1000 | 4,59 |
| 04 | CSF04002 | 125 | 0,77 | 750 | 4,59 |
| 05 | CSF05002 | 100 | 0,77 | 500 | 3,83 |
| 06 | CSF06002 | 75 | 0,69 | 500 | 4,59 |
| 07 | CSF07002 | 50 | 0,54 | 250 | 2,68 |
| 08 | CSF08002 | 50 | 0,61 | 250 | 3,06 |
| 09 | CSF09002 | 50 | 0,69 | 250 | 3,44 |
| 10 | CSF10002 | 50 | 0,77 | 250 | 3,83 |
| 11 | CSF11002 | 50 | 0,84 | 250 | 4,21 |
| 12 | CSF12002 | 50 | 0,92 | 250 | 4,59 |
| 13 | CSF13002 | 50 | 0,99 | 250 | 4,97 |



CSF_0J1 90°-270°, Safe Female

| 5 mm / .197" Pitch | | | Weight per pole: 1.20 g | | |
|--------------------|----------|-----------|-------------------------|------------|---------|
| Poles | STD Code | Pcs/pack. | W [kg]* | Pcs/Ind.** | W [kg]* |
| 02 | CSF020J1 | 450 | 1,08 | 2500 | 6,00 |
| 03 | CSF030J1 | 300 | 1,08 | 1750 | 6,30 |
| 04 | CSF040J1 | 225 | 1,08 | 1500 | 7,20 |
| 05 | CSF050J1 | 175 | 1,05 | 1000 | 6,00 |
| 06 | CSF060J1 | 150 | 1,08 | 750 | 5,40 |
| 07 | CSF070J1 | 125 | 1,05 | 750 | 6,30 |
| 08 | CSF080J1 | 100 | 0,96 | 500 | 4,80 |
| 09 | CSF090J1 | 100 | 1,08 | 500 | 5,40 |
| 10 | CSF100J1 | 75 | 0,90 | 500 | 6,00 |
| 11 | CSF110J1 | 75 | 0,99 | 500 | 6,60 |
| 12 | CSF120J1 | 75 | 1,08 | 500 | 7,20 |
| 13 | CSF130J1 | 50 | 0,78 | 500 | 7,80 |
| 14 | CSF140J1 | 50 | 0,84 | 250 | 4,20 |
| 15 | CSF150J1 | 50 | 0,90 | 250 | 4,50 |
| 16 | CSF160J1 | 50 | 0,96 | 250 | 4,80 |
| 17 | CSF170J1 | 50 | 1,02 | 250 | 5,10 |
| 18 | CSF180J1 | 50 | 1,08 | 250 | 5,40 |
| 19 | CSF190J1 | 50 | 1,14 | 250 | 5,70 |
| 20 | CSF200J1 | 50 | 1,20 | 250 | 6,00 |
| 21 | CSF210J1 | 50 | 1,26 | 250 | 6,30 |
| 22 | CSF220J1 | 50 | 1,32 | 250 | 6,60 |
| 23 | CSF230J1 | 50 | 1,38 | 250 | 6,90 |
| 24 | CSF240J1 | 50 | 1,44 | 250 | 7,20 |
| 25 | CSF250J1 | 50 | 1,50 | 250 | 7,50 |

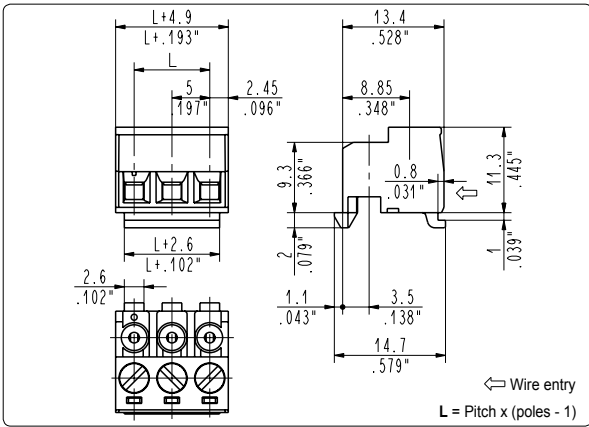


CSF_0J2 90°-270°, Safe Female

| 10 mm / .394" Pitch | | | Weight per pole: 1.52 g | | |
|---------------------|----------|-----------|-------------------------|------------|---------|
| Poles | STD Code | Pcs/pack. | W [kg]* | Pcs/Ind.** | W [kg]* |
| 02 | CSF020J2 | 300 | 0,91 | 1750 | 5,32 |
| 03 | CSF030J2 | 175 | 0,80 | 1000 | 4,56 |
| 04 | CSF040J2 | 125 | 0,76 | 750 | 4,56 |
| 05 | CSF050J2 | 100 | 0,76 | 500 | 3,80 |
| 06 | CSF060J2 | 75 | 0,68 | 500 | 4,56 |
| 07 | CSF070J2 | 50 | 0,53 | 250 | 2,66 |
| 08 | CSF080J2 | 50 | 0,61 | 250 | 3,04 |
| 09 | CSF090J2 | 50 | 0,68 | 250 | 3,42 |
| 10 | CSF100J2 | 50 | 0,76 | 250 | 3,80 |
| 11 | CSF110J2 | 50 | 0,84 | 250 | 4,18 |
| 12 | CSF120J2 | 50 | 0,91 | 250 | 4,56 |
| 13 | CSF130J2 | 50 | 0,99 | 250 | 4,94 |

*W [kg]: Approximate Weight per box in kg

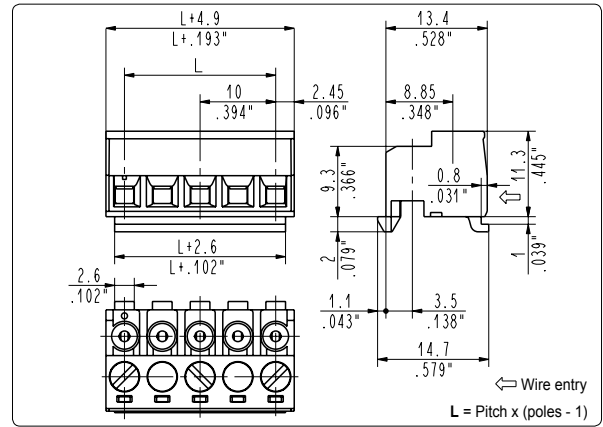
**Industrial packaging: add "-00000E" at standard code



CSF_0S1 90°-270°, Safe Female with Snap Features

5 mm / .197" Pitch Weight per pole: 1.22 g

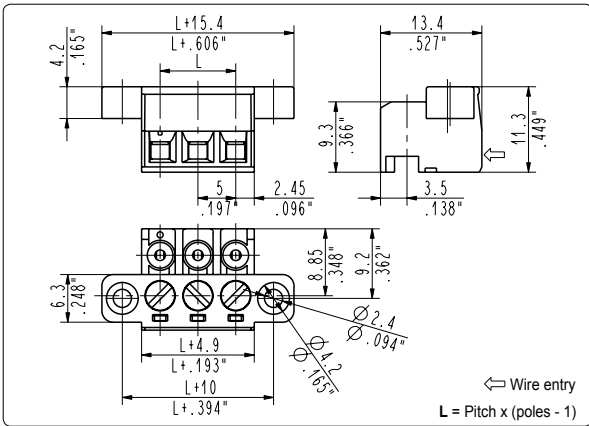
| Poles | STD Code | Pcs/pack. | W [kg]* | Pcs/Ind.** | W [kg]* |
|-------|----------|-----------|---------|------------|---------|
| 02 | CSF020S1 | 450 | 1,01 | 2500 | 6,10 |
| 03 | CSF030S1 | 300 | 1,01 | 1750 | 6,41 |
| 04 | CSF040S1 | 225 | 1,01 | 1500 | 7,32 |
| 05 | CSF050S1 | 175 | 1,07 | 1000 | 6,10 |
| 06 | CSF060S1 | 150 | 1,01 | 750 | 5,49 |
| 07 | CSF070S1 | 125 | 1,07 | 750 | 6,41 |
| 08 | CSF080S1 | 100 | 0,98 | 500 | 4,88 |
| 09 | CSF090S1 | 100 | 1,01 | 500 | 5,49 |
| 10 | CSF100S1 | 75 | 0,92 | 500 | 6,10 |
| 11 | CSF110S1 | 75 | 1,01 | 500 | 6,71 |
| 12 | CSF120S1 | 75 | 1,01 | 500 | 7,32 |
| 13 | CSF130S1 | 50 | 0,79 | 500 | 7,93 |
| 14 | CSF140S1 | 50 | 0,85 | 250 | 4,27 |
| 15 | CSF150S1 | 50 | 0,92 | 250 | 4,58 |
| 16 | CSF160S1 | 50 | 0,98 | 250 | 4,88 |
| 17 | CSF170S1 | 50 | 1,04 | 250 | 5,19 |
| 18 | CSF180S1 | 50 | 1,01 | 250 | 5,49 |
| 19 | CSF190S1 | 50 | 1,16 | 250 | 5,80 |
| 20 | CSF200S1 | 50 | 1,22 | 250 | 6,10 |
| 21 | CSF210S1 | 50 | 1,28 | 250 | 6,41 |
| 22 | CSF220S1 | 50 | 1,34 | 250 | 6,71 |
| 23 | CSF230S1 | 50 | 1,40 | 250 | 7,02 |
| 24 | CSF240S1 | 50 | 1,46 | 250 | 7,32 |
| 25 | CSF250S1 | 50 | 1,53 | 250 | 7,63 |



CSF_0S2 90°-270°, Safe Female with Snap Features

10 mm / .394" Pitch Weight per pole: 1.57 g

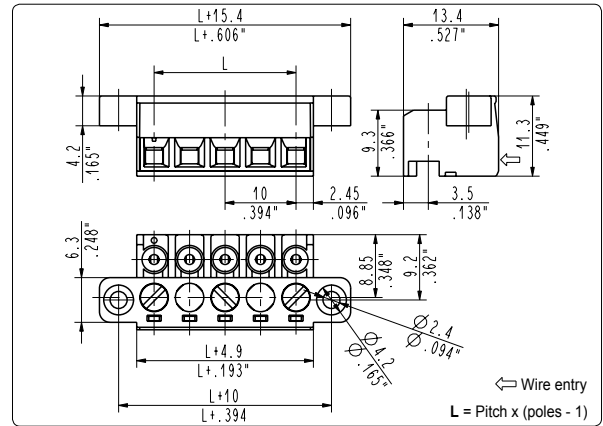
| Poles | STD Code | Pcs/pack. | W [kg]* | Pcs/Ind.** | W [kg]* |
|-------|----------|-----------|---------|------------|---------|
| 02 | CSF020S2 | 300 | 0,94 | 1750 | 5,50 |
| 03 | CSF030S2 | 175 | 0,82 | 1000 | 4,71 |
| 04 | CSF040S2 | 125 | 0,79 | 750 | 4,71 |
| 05 | CSF050S2 | 100 | 0,79 | 500 | 3,93 |
| 06 | CSF060S2 | 75 | 0,71 | 500 | 4,71 |
| 07 | CSF070S2 | 50 | 0,55 | 250 | 2,75 |
| 08 | CSF080S2 | 50 | 0,63 | 250 | 3,14 |
| 09 | CSF090S2 | 50 | 0,71 | 250 | 3,53 |
| 10 | CSF100S2 | 50 | 0,79 | 250 | 3,93 |
| 11 | CSF110S2 | 50 | 0,86 | 250 | 4,32 |
| 12 | CSF120S2 | 50 | 0,94 | 250 | 4,71 |
| 13 | CSF130S2 | 50 | 1,02 | 250 | 5,10 |



CSF_0F1 90°-270°, Safe Female with High Flange

5 mm / .197" Pitch Weight per pole: 1.22 g

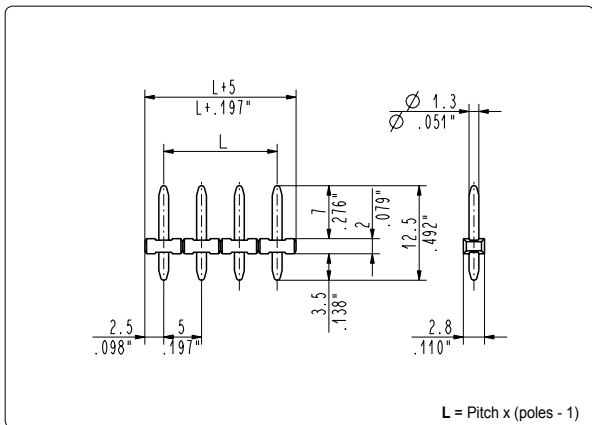
| Poles | STD Code | Pcs/pack. | W [kg]* | Pcs/Ind.** | W [kg]* |
|-------|----------|-----------|---------|------------|---------|
| 02 | CSF020F1 | 225 | 0,55 | 2500 | 6,10 |
| 03 | CSF030F1 | 175 | 0,64 | 1750 | 6,41 |
| 04 | CSF040F1 | 150 | 0,73 | 1500 | 7,32 |
| 05 | CSF050F1 | 125 | 0,76 | 1000 | 6,10 |
| 06 | CSF060F1 | 100 | 0,73 | 750 | 5,49 |
| 07 | CSF070F1 | 100 | 0,85 | 750 | 6,41 |
| 08 | CSF080F1 | 75 | 0,73 | 500 | 4,88 |
| 09 | CSF090F1 | 75 | 0,82 | 500 | 5,49 |
| 10 | CSF100F1 | 75 | 0,92 | 500 | 6,10 |
| 11 | CSF110F1 | 50 | 0,67 | 500 | 6,71 |
| 12 | CSF120F1 | 50 | 0,73 | 500 | 7,32 |
| 13 | CSF130F1 | 50 | 0,79 | 250 | 3,97 |
| 14 | CSF140F1 | 50 | 0,85 | 250 | 4,27 |
| 15 | CSF150F1 | 50 | 0,92 | 250 | 4,58 |
| 16 | CSF160F1 | 50 | 0,98 | 250 | 4,88 |
| 17 | CSF170F1 | 50 | 1,04 | 250 | 5,19 |
| 18 | CSF180F1 | 50 | 1,01 | 250 | 5,49 |
| 19 | CSF190F1 | 50 | 1,16 | 250 | 5,80 |
| 20 | CSF200F1 | 50 | 1,22 | 250 | 6,10 |
| 21 | CSF210F1 | 50 | 1,28 | 250 | 6,41 |
| 22 | CSF220F1 | 50 | 1,34 | 250 | 6,71 |
| 23 | CSF230F1 | 50 | 1,40 | 250 | 7,02 |



CSF_0F2 90°-270°, Safe Female with High Flange

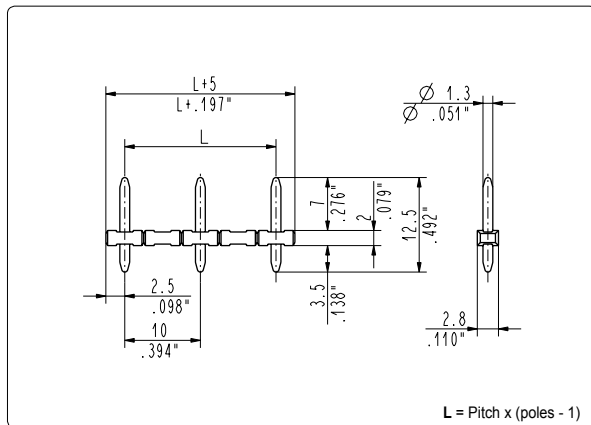
10 mm / .394" Pitch Weight per pole: 1.56 g

| Poles | STD Code | Pcs/pack. | W [kg]* | Pcs/Ind.** | W [kg]* |
|-------|----------|-----------|---------|------------|---------|
| 02 | CSF020F2 | 125 | 0,39 | 1750 | 5,46 |
| 03 | CSF030F2 | 100 | 0,47 | 1000 | 4,68 |
| 04 | CSF040F2 | 75 | 0,47 | 750 | 4,68 |
| 05 | CSF050F2 | 50 | 0,39 | 500 | 3,90 |
| 06 | CSF060F2 | 50 | 0,47 | 500 | 4,68 |
| 07 | CSF070F2 | 50 | 0,55 | 250 | 2,73 |
| 08 | CSF080F2 | 50 | 0,62 | 250 | 3,12 |
| 09 | CSF090F2 | 50 | 0,70 | 250 | 3,51 |
| 10 | CSF100F2 | 50 | 0,78 | 250 | 3,90 |
| 11 | CSF110F2 | 50 | 0,86 | 250 | 4,29 |
| 12 | CSF120F2 | 50 | 0,94 | 250 | 4,68 |



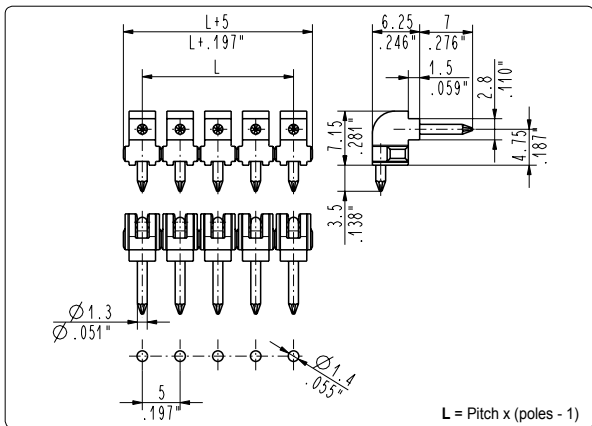
CSM_0A1 Straight, Side Stackable Male

| 5 mm / .197" Pitch | | | Weight per pole: 0.17 g | | |
|--------------------|----------|-----------|-------------------------|------------|---------|
| Poles | STD Code | Pcs/pack. | W [kg]* | Pcs/Ind.** | W [kg]* |
| 02 | CSM020A1 | 450 | 0,15 | 2500 | 0,85 |
| 03 | CSM030A1 | 300 | 0,15 | 1750 | 0,89 |
| 04 | CSM040A1 | 225 | 0,15 | 1500 | 1,02 |
| 05 | CSM050A1 | 175 | 0,15 | 1000 | 0,85 |
| 06 | CSM060A1 | 150 | 0,15 | 1500 | 1,53 |
| 07 | CSM070A1 | 125 | 0,15 | 750 | 0,89 |
| 08 | CSM080A1 | 100 | 0,14 | 500 | 0,68 |
| 09 | CSM090A1 | 100 | 0,15 | 500 | 0,77 |
| 10 | CSM100A1 | 75 | 0,13 | 500 | 0,85 |
| 11 | CSM110A1 | 75 | 0,14 | 500 | 0,94 |
| 12 | CSM120A1 | 75 | 0,15 | 500 | 1,02 |
| 13 | CSM130A1 | 50 | 0,11 | 250 | 0,55 |
| 14 | CSM140A1 | 50 | 0,12 | 250 | 0,60 |
| 15 | CSM150A1 | 50 | 0,13 | 250 | 0,64 |
| 16 | CSM160A1 | 50 | 0,14 | 250 | 0,68 |
| 17 | CSM170A1 | 50 | 0,14 | 250 | 0,72 |
| 18 | CSM180A1 | 50 | 0,15 | 250 | 0,77 |
| 19 | CSM190A1 | 50 | 0,16 | 250 | 0,81 |
| 20 | CSM200A1 | 50 | 0,17 | 250 | 0,85 |
| 21 | CSM210A1 | 50 | 0,18 | 250 | 0,89 |
| 22 | CSM220A1 | 50 | 0,19 | 250 | 0,94 |
| 23 | CSM230A1 | 50 | 0,20 | 250 | 0,98 |
| 24 | CSM240A1 | 50 | 0,20 | 250 | 1,02 |
| 25 | CSM250A1 | 50 | 0,21 | 500 | 2,13 |



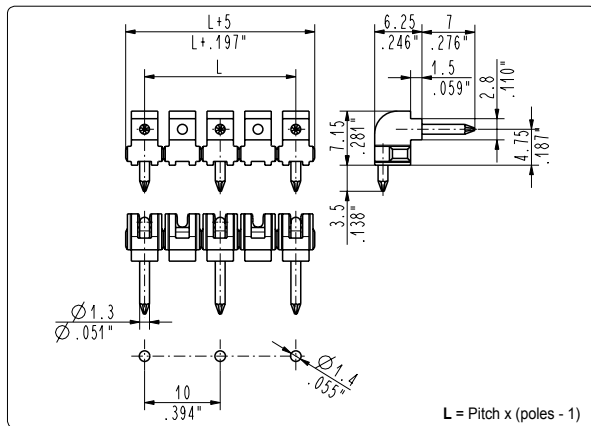
CSM_0A2 Straight, Side Stackable Male

| 10 mm / .394" Pitch | | | Weight per pole: 0.18 g | | |
|---------------------|----------|-----------|-------------------------|------------|---------|
| Poles | STD Code | Pcs/pack. | W [kg]* | Pcs/Ind.** | W [kg]* |
| 02 | CSM020A2 | 300 | 0,11 | 1750 | 0,63 |
| 03 | CSM030A2 | 175 | 0,09 | 1000 | 0,54 |
| 04 | CSM040A2 | 125 | 0,09 | 750 | 0,54 |
| 05 | CSM050A2 | 100 | 0,09 | 500 | 0,45 |
| 06 | CSM060A2 | 75 | 0,08 | 500 | 0,54 |
| 07 | CSM070A2 | 50 | 0,06 | 250 | 0,32 |
| 08 | CSM080A2 | 50 | 0,07 | 250 | 0,36 |
| 09 | CSM090A2 | 50 | 0,08 | 250 | 0,41 |
| 10 | CSM100A2 | 50 | 0,09 | 250 | 0,45 |
| 11 | CSM110A2 | 50 | 0,01 | 250 | 0,50 |
| 12 | CSM120A2 | 50 | 0,11 | 250 | 0,54 |
| 13 | CSM130A2 | 50 | 0,12 | 250 | 0,59 |



CSM_9A1 90°, Side Stackable Male

| 5 mm / .197" Pitch | | | Weight per pole: 0.40 g | | |
|--------------------|----------|-----------|-------------------------|------------|---------|
| Poles | STD Code | Pcs/pack. | W [kg]* | Pcs/Ind.** | W [kg]* |
| 02 | CSM029A1 | 450 | 0,36 | 2500 | 2,00 |
| 03 | CSM039A1 | 300 | 0,36 | 1750 | 2,10 |
| 04 | CSM049A1 | 225 | 0,36 | 1500 | 2,40 |
| 05 | CSM059A1 | 175 | 0,36 | 1000 | 2,00 |
| 06 | CSM069A1 | 150 | 0,36 | 1500 | 3,60 |
| 07 | CSM079A1 | 125 | 0,36 | 750 | 2,10 |
| 08 | CSM089A1 | 100 | 0,32 | 500 | 1,60 |
| 09 | CSM099A1 | 100 | 0,36 | 500 | 1,80 |
| 10 | CSM109A1 | 75 | 0,30 | 500 | 2,00 |
| 11 | CSM119A1 | 75 | 0,34 | 500 | 2,20 |
| 12 | CSM129A1 | 75 | 0,36 | 500 | 2,40 |
| 13 | CSM139A1 | 50 | 0,26 | 250 | 1,30 |
| 14 | CSM149A1 | 50 | 0,28 | 250 | 1,40 |
| 15 | CSM159A1 | 50 | 0,30 | 250 | 1,50 |
| 16 | CSM169A1 | 50 | 0,32 | 250 | 1,60 |
| 17 | CSM179A1 | 50 | 0,34 | 250 | 1,70 |
| 18 | CSM189A1 | 50 | 0,36 | 250 | 1,80 |
| 19 | CSM199A1 | 50 | 0,38 | 250 | 1,90 |
| 20 | CSM209A1 | 50 | 0,40 | 250 | 2,00 |
| 21 | CSM219A1 | 50 | 0,42 | 250 | 2,10 |
| 22 | CSM229A1 | 50 | 0,44 | 250 | 2,20 |
| 23 | CSM239A1 | 50 | 0,46 | 250 | 2,30 |
| 24 | CSM249A1 | 50 | 0,48 | 250 | 2,40 |
| 25 | CSM259A1 | 50 | 0,50 | 500 | 5,00 |



CSM_9A2 90°, Side Stackable Male

| 10 mm / .394" Pitch | | | Weight per pole: 0.48 g | | |
|---------------------|----------|-----------|-------------------------|------------|---------|
| Poles | STD Code | Pcs/pack. | W [kg]* | Pcs/Ind.** | W [kg]* |
| 02 | CSM029A2 | 300 | 0,30 | 1750 | 1,70 |
| 03 | CSM039A2 | 175 | 0,25 | 1000 | 1,44 |
| 04 | CSM049A2 | 125 | 0,25 | 750 | 1,44 |
| 05 | CSM059A2 | 100 | 0,25 | 500 | 1,21 |
| 06 | CSM069A2 | 75 | 0,20 | 500 | 1,44 |
| 07 | CSM079A2 | 50 | 0,16 | 250 | 0,85 |
| 08 | CSM089A2 | 50 | 0,18 | 250 | 0,97 |
| 09 | CSM099A2 | 50 | 0,21 | 250 | 1,08 |
| 10 | CSM109A2 | 50 | 0,25 | 250 | 1,21 |
| 11 | CSM119A2 | 50 | 0,27 | 250 | 1,33 |
| 12 | CSM129A2 | 50 | 0,30 | 250 | 1,44 |
| 13 | CSM139A2 | 50 | 0,32 | 250 | 1,56 |

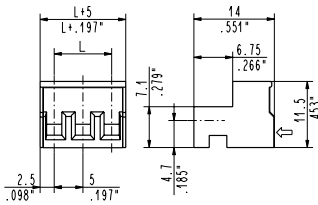
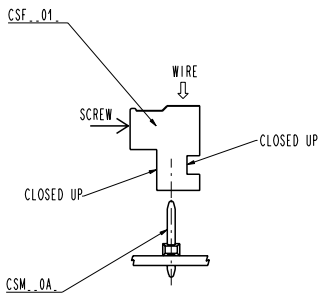
*W [kg]: Approximate Weight per box in kg

**Industrial packaging: add "-00000E" at standard code



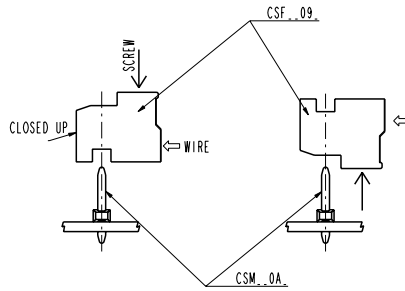
CSF__01_

Industrial Use
Specific for the Straight Insertion



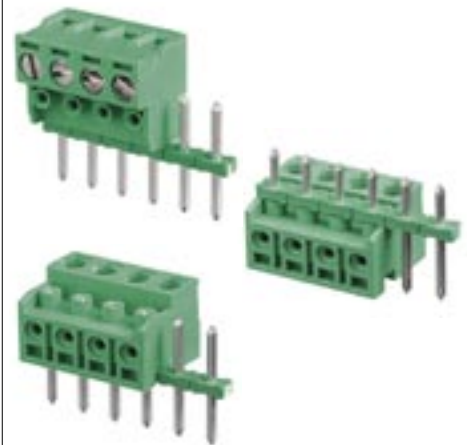
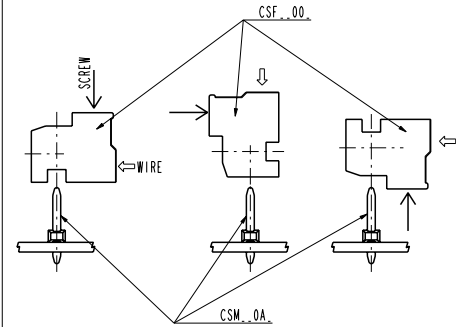
CSF__09_ ; CSF__0J_
CSF__0S_ ; CSF__0F_

Industrial Use
Specific for the 90° and 270° Insertion



CSF__00_

Versatile Use
For Prototypes and stock products



Locking type



Mechanical Blocking with screws



Snap Blocking and/or Bayonet



Example of application

