

**MTS****Functional Characteristics****Dimensional Class:**

Low

**Standard Colour:**

Green

**Height:**

12.6 mm (.496 in)

**Max Approved Wire sections:**Solid: 1.5 mm<sup>2</sup> (IMQ); 14 AWG (UL)Stranded: 1 mm<sup>2</sup> (IMQ); 14 AWG (UL)**Clamp Opening Size:**

2.6 x 1.7 mm (.102 x .067 in)

**Versions:**

Modular

**Single Mould Poles:**

from 2 to 25

**Pitches:**

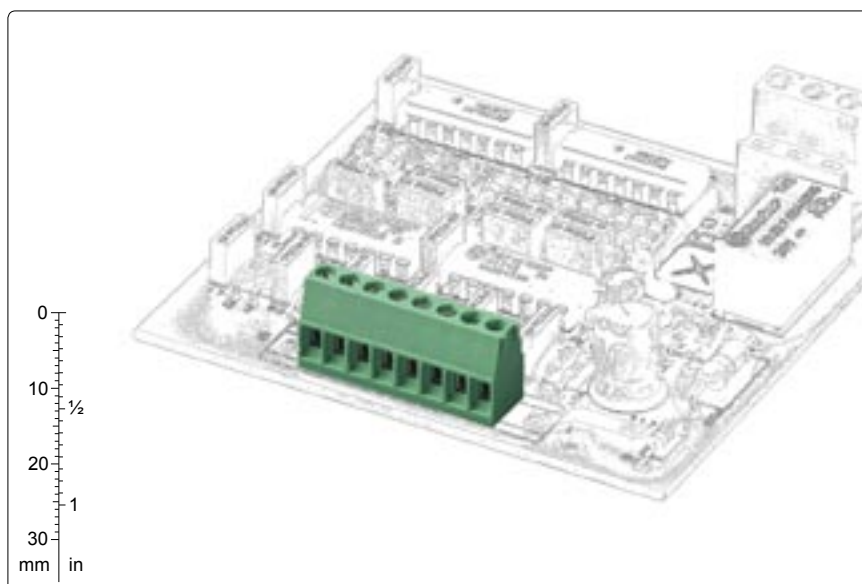
Metric 3.5 mm, 7 mm

(.138 in, .275 in)



Imperial 3.81 mm, 7.62 mm

(.150 in, .300 in)

pitch 3.5/3.81 mm  
from 2 to 25 poles  
straight version  
modularpitch 3.5/3.81 mm  
from 2 to 25 poles  
90° version  
modularpitch 7/7.62 mm  
from 1 to 13 poles  
straight version  
modular2 poles with pegs  
straight version  
modular**Brief Description**

With the **MTS** modular series terminal blocks for PCBs, wires up to **1.5mm<sup>2</sup> (16 AWG)** can be used and consequently a current range of **17.5A certified** can be reached.

All the housings are modular, therefore it is possible to compose the monolithic terminal blocks **from 2 to 25 poles** separately, or to compose the basic terminal blocks until any number of poles is obtained. By taking advantage of this particular characteristic a minimum stock of basic terminal blocks can be kept.

It is simple to manage the product, the warehouse and the assembly with the **Kit packages** because several versions can be received with

only one code, the part-numbers are significantly reduced and the risk of making mistakes is also reduced.

**MTS with Pegs**

**The Straight 2 pole MTS is also available with clamping pegs moulded in the plastic housing to secure it to the PCB.**

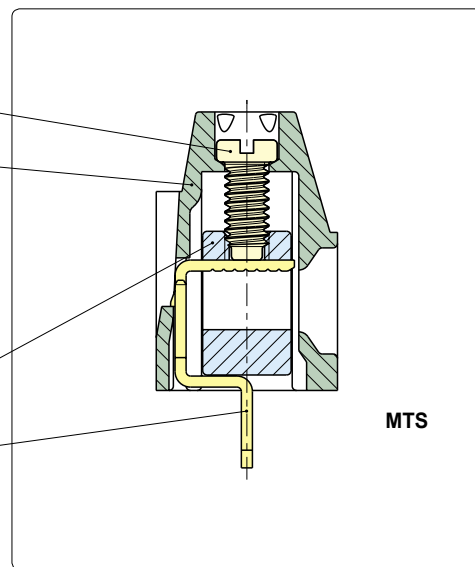
**With this solution the nominal tightening torque can be applied and the most restrictive guidelines set by the international standards (VDE) are passed.**

## Characteristics of Components

- M2 nickel plated Copper Alloy Screw.
- PA 6.6.Polyamide Housing.  
Standard Colour: GREEN.  
V0 Self-extinguishing according to UL 94.  
Chlorinated solvents resistant,  
with no Phosphor, Dioxin or  
dentrimental to health Halogens.

■ Nickel plated Copper Alloy Clamp

■ Easy to solder lead-free  
tin-plated Copper Alloy Pin.



### Mechanical characteristics

Recommended/Highest tightening torque	0.2/0.25 Nm (1.77/2.21 lbf in)
PCB Thickness:	max. 2.4 mm (.094 in)
PCB Hole Diameter:	min. 1.1 mm (.043 in)
Stripping length	5 ÷ 6 mm (.197 ÷ .24 in)
Operating temperature range	-40 °C ÷ +110 °C (-40 °F ÷ +230 °F)
Climatic category	40/110/21 According to EN 60068-1

### Electric characteristics\*

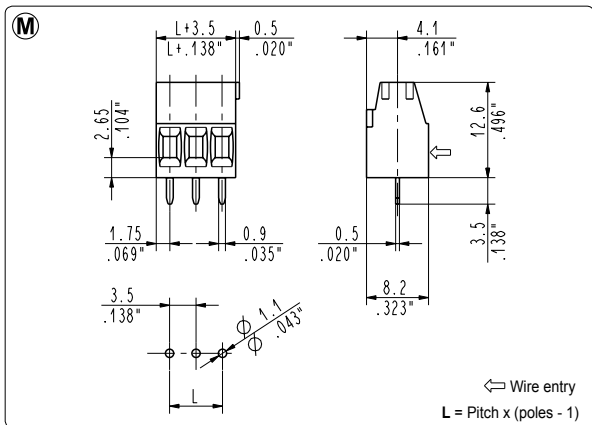
Solid wire section	30÷14 AWG (UL, CSA)* 0.05 ÷ 1.5 mm <sup>2</sup> (IMQ)*
Stranded wire section	30÷14 AWG (UL, CSA)* 0.05 ÷ 1 mm <sup>2</sup> (IMQ)*
Rated voltage for 3.5 mm (.100 in) and 3.81 mm (.150 in)	300 V (UL, CSA)*
Rated voltage for 7 mm (.275 in) and 7.62 mm (.300 in)	750 V (IMQ)*
Rated current	17.5 A (IMQ)*
Contact resistance	<15 mΩ
Insulation resistance	>10 <sup>9</sup> Ω (500V DC)

\*All the above mentioned data refer to the highest values amongst the certificated ones.  
V voltage, I current values and tightening torque are related to the norms to be applied to the product and to its use.

### Approvals

	CE:	130 V - T 110 - 17.5 A - 1.5 mm <sup>2</sup> solid (12 A - 1 mm <sup>2</sup> stranded) for 3.5 mm and 3.81 mm pitch 750 V - T 110 - 17.5 A - 1.5 mm <sup>2</sup> solid (12 A - 1 mm <sup>2</sup> stranded) for 7 mm and 7.62 mm pitch
	UL: File E 167473	300 V - 12 A - 30÷14 AWG for for 3.5 mm, 3.81 mm, 7 mm and 7.62 mm pitch Application values for end-use equipment have to be in accordance to UL norms and applicable to it.
	CSA: File LR 102896	300 V - 12 A - 30÷14 AWG for 3.5 mm and 3.81 mm pitch 450 V - 12 A - 30÷14 AWG for 7 mm and 7.62 mm pitch
	VDE: Reg. N. 134879 ÜG	130 V - 12 A - T 110 - 1 mm <sup>2</sup> for 3.5 mm and 3.81 mm mm pitch 450 V - 12 A - T 110 - 1 mm <sup>2</sup> for 7 mm and 7.62 mm pitch
	IMQ: File: CA02.00146	130 V - T 110 - 17.5 A - 1.5 mm <sup>2</sup> solid (12 A - 1 mm <sup>2</sup> stranded) for 3.5 mm and 3.81 mm pitch 750 V - T 110 - 17.5 A - 1.5 mm <sup>2</sup> solid (12 A - 1 mm <sup>2</sup> stranded) for 7 mm and 7.62 mm pitch

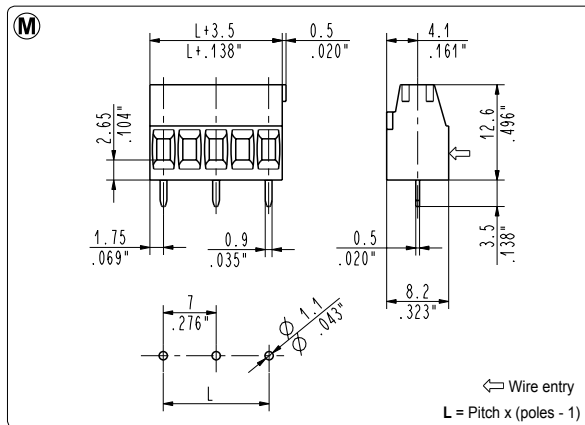
See also "Certifications of Products", page 14



**MTS\_008** Straight, Modular-Side Entry

**3.5 mm / .138" Pitch** Weight per pole: 0.81 g

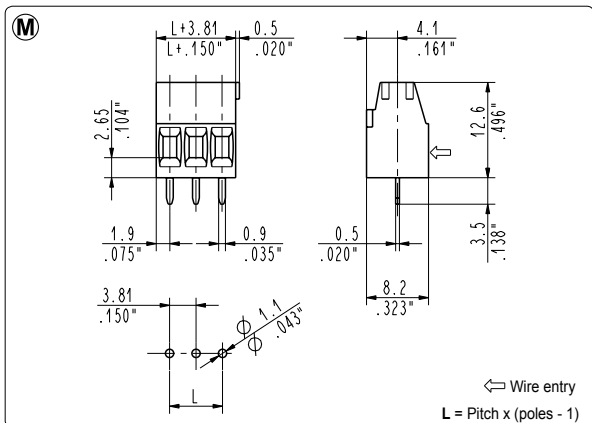
Poles	STD Code	Pcs/pack.	W [kg]*	Pcs/Ind.**	W [kg]*
02	MTS02008	800	1,30	3500	5,67
03	MTS03008	500	1,22	2250	5,47
04	MTS04008	400	1,30	2000	6,48
05	MTS05008	300	1,22	1500	6,08
06	MTS06008	250	1,22	1000	4,86
07	MTS07008	200	1,13	1000	5,67
08	MTS08008	175	1,13	750	4,86
09	MTS09008	150	1,09	750	5,47
10	MTS10008	125	1,01	750	6,08
11	MTS11008	125	1,11	750	6,68
12	MTS12008	100	0,97	750	7,29
13	MTS13008	150	1,58	750	7,90
14	MTS14008	150	1,70	750	8,51
15	MTS15008	150	1,82	500	6,08
16	MTS16008	150	1,94	500	6,48
17	MTS17008	100	1,38	500	6,89
18	MTS18008	100	1,46	500	7,29
19	MTS19008	100	1,54	500	7,70
20	MTS20008	100	1,62	500	8,10
21	MTS21008	100	1,70	500	8,51
22	MTS22008	100	1,78	500	8,91
23	MTS23008	100	1,86	500	9,32
24	MTS24008	100	1,94	500	9,72
25	MTS25008	75	1,52	250	5,06



**MTS\_009** Straight, Modular-Side Entry

**7 mm / .276" Pitch** Weight per pole: 0.94 g

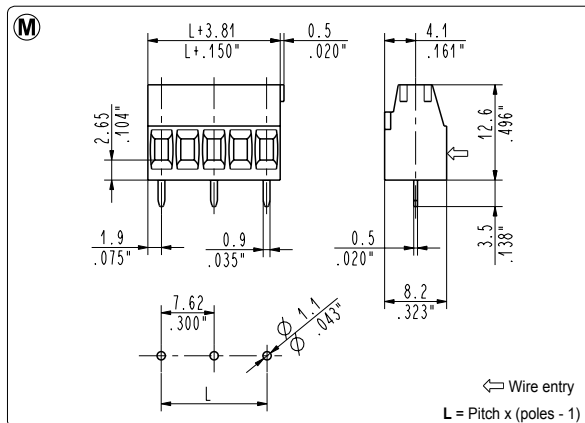
Poles	STD Code	Pcs/pack.	W [kg]*	Pcs/Ind.**	W [kg]*
01	MTS01009	800	0,75	3500	3,29
02	MTS02009	500	0,94	2250	4,23
03	MTS03009	300	0,85	1500	4,23
04	MTS04009	200	0,75	1000	3,76
05	MTS05009	150	0,71	750	3,53
06	MTS06009	125	0,71	750	4,23
07	MTS07009	150	0,99	750	4,94
08	MTS08009	150	1,13	500	3,76
09	MTS09009	100	0,85	500	4,23
10	MTS10009	100	0,94	500	4,70
11	MTS11009	100	1,03	500	5,17
12	MTS12009	100	1,13	500	5,64
13	MTS13009	75	0,92	250	3,06



**MTS\_00T** Straight, Modular-Side Entry

**3.81 mm / .150" Pitch** Weight per pole: 0.81 g

Poles	STD Code	Pcs/pack.	W [kg]*	Pcs/Ind.**	W [kg]*
02	MTS0200T	800	1,30	3500	5,67
03	MTS0300T	500	1,22	2250	5,47
04	MTS0400T	400	1,30	2000	6,48
05	MTS0500T	300	1,22	1500	6,08
06	MTS0600T	250	1,22	1000	4,86
07	MTS0700T	200	1,13	1000	5,67
08	MTS0800T	175	1,13	750	4,86
09	MTS0900T	150	1,09	750	5,47
10	MTS1000T	125	1,01	750	6,08
11	MTS1100T	125	1,11	750	6,68
12	MTS1200T	100	0,97	750	7,29
13	MTS1300T	150	1,58	750	7,90
14	MTS1400T	150	1,70	750	8,51
15	MTS1500T	150	1,82	500	6,08
16	MTS1600T	150	1,94	500	6,48
17	MTS1700T	100	1,38	500	6,89
18	MTS1800T	100	1,46	500	7,29
19	MTS1900T	100	1,54	500	7,70
20	MTS2000T	100	1,62	500	8,10
21	MTS2100T	100	1,70	500	8,51
22	MTS2200T	100	1,78	500	8,91
23	MTS2300T	100	1,86	500	9,32
24	MTS2400T	100	1,94	500	9,72
25	MTS2500T	75	1,52	250	5,06



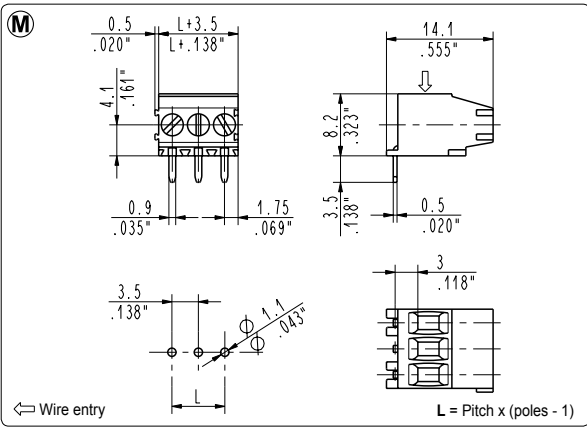
**MTS\_007** Straight, Modular-Side Entry

**7.62 mm / .300" Pitch** Weight per pole: 0.94 g

Poles	STD Code	Pcs/pack.	W [kg]*	Pcs/Ind.**	W [kg]*
01	MTS01007	800	0,75	3500	3,29
02	MTS02007	500	0,94	2250	4,23
03	MTS03007	300	0,85	1500	4,23
04	MTS04007	200	0,75	1000	3,76
05	MTS05007	150	0,71	750	3,53
06	MTS06007	125	0,71	750	4,23
07	MTS07007	150	0,99	750	4,94
08	MTS08007	150	1,13	500	3,76
09	MTS09007	100	0,85	500	4,23
10	MTS10007	100	0,94	500	4,70
11	MTS11007	100	1,03	500	5,17
12	MTS12007	100	1,13	500	5,64
13	MTS13007	75	0,92	250	3,06

\*W [kg]: Approximate Weight per box in kg

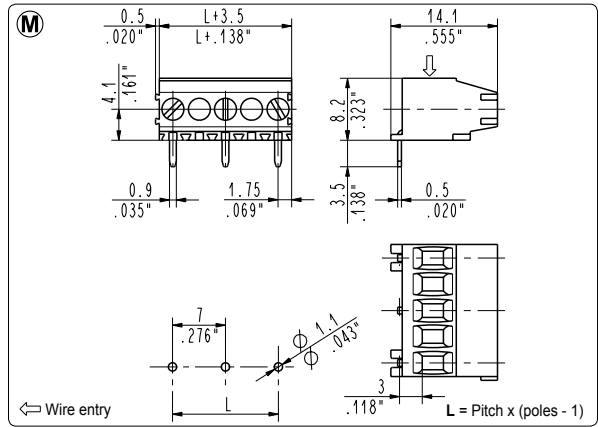
\*\*Industrial packaging: add "-00000E" at standard code



**MTS\_098** 90°, Modular-Top Entry

3.5 mm / .138" Pitch Weight per pole: 0.81 g

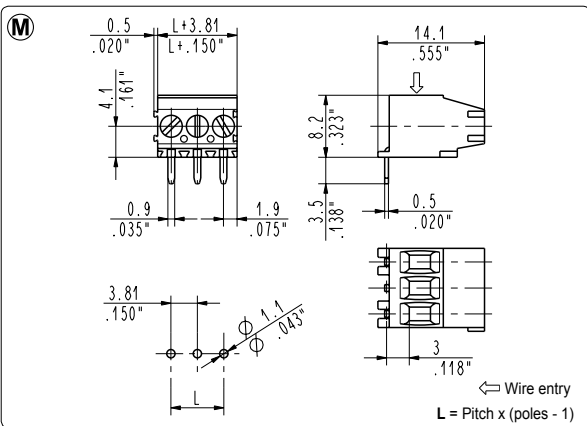
Poles	STD Code	Pcs/pack.	W [kg]*	Pcs/Ind.**	W [kg]*
02	MTS02098	800	1,30	3500	5,67
03	MTS03098	500	1,22	2250	5,47
04	MTS04098	400	1,30	2000	6,48
05	MTS05098	300	1,22	1500	6,08
06	MTS06098	250	1,22	1000	4,86
07	MTS07098	200	1,13	1000	5,67
08	MTS08098	175	1,13	750	4,86
09	MTS09098	150	1,09	750	5,47
10	MTS10098	125	1,01	750	6,08
11	MTS11098	125	1,11	750	6,68
12	MTS12098	100	0,97	750	7,29
13	MTS13098	150	1,58	750	7,90
14	MTS14098	150	1,70	750	8,51
15	MTS15098	150	1,82	500	6,08
16	MTS16098	150	1,94	500	6,48
17	MTS17098	100	1,38	500	6,89
18	MTS18098	100	1,46	500	7,29
19	MTS19098	100	1,54	500	7,70
20	MTS20098	100	1,62	500	8,10
21	MTS21098	100	1,70	500	8,51
22	MTS22098	100	1,78	500	8,91
23	MTS23098	100	1,86	500	9,32
24	MTS24098	100	1,94	500	9,72
25	MTS25098	75	1,52	250	5,06



**MTS\_099** 90°, Modular-Top Entry

7 mm / .276" Pitch Weight per pole: 0.94 g

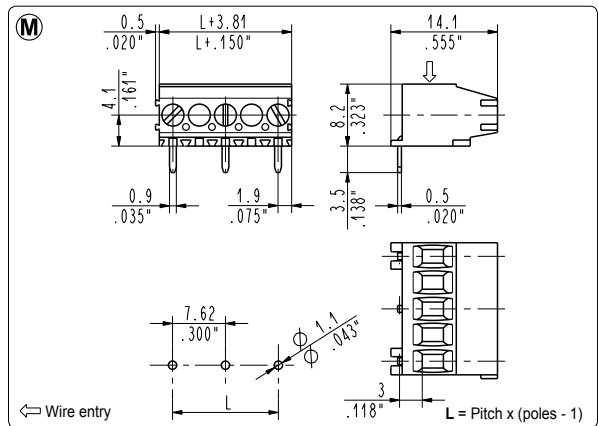
Poles	STD Code	Pcs/pack.	W [kg]*	Pcs/Ind.**	W [kg]*
01	MTS01099	800	0,75	3500	3,29
02	MTS02099	500	0,94	2250	4,23
03	MTS03099	300	0,85	1500	4,23
04	MTS04099	200	0,75	1000	3,76
05	MTS05099	150	0,71	750	3,53
06	MTS06099	125	0,71	750	4,23
07	MTS07099	150	0,99	750	4,94
08	MTS08099	150	1,13	500	3,76
09	MTS09099	100	0,85	500	4,23
10	MTS10099	100	0,94	500	4,70
11	MTS11099	100	1,03	500	5,17
12	MTS12099	100	1,13	500	5,64
13	MTS13099	75	0,92	250	3,06



**MTS\_09T** 90°, Modular-Top Entry

3.81 mm / .150" Pitch Weight per pole: 0.81 g

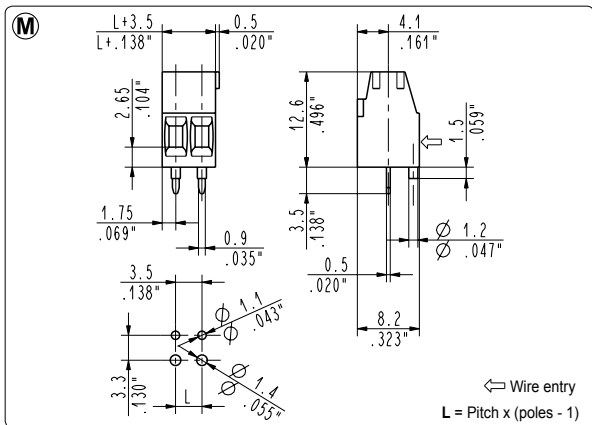
Poles	STD Code	Pcs/pack.	W [kg]*	Pcs/Ind.**	W [kg]*
02	MTS0209T	800	1,30	3500	5,67
03	MTS0309T	500	1,22	2250	5,47
04	MTS0409T	400	1,30	2000	6,48
05	MTS0509T	300	1,22	1500	6,08
06	MTS0609T	250	1,22	1000	4,86
07	MTS0709T	200	1,13	1000	5,67
08	MTS0809T	175	1,13	750	4,86
09	MTS0909T	150	1,09	750	5,47
10	MTS1009T	125	1,01	750	6,08
11	MTS1109T	125	1,11	750	6,68
12	MTS1209T	100	0,97	750	7,29
13	MTS1309T	150	1,58	750	7,90
14	MTS1409T	150	1,70	750	8,51
15	MTS1509T	150	1,82	500	6,08
16	MTS1609T	150	1,94	500	6,48
17	MTS1709T	100	1,38	500	6,89
18	MTS1809T	100	1,46	500	7,29
19	MTS1909T	100	1,54	500	7,70
20	MTS2009T	100	1,62	500	8,10
21	MTS2109T	100	1,70	500	8,51
22	MTS2209T	100	1,78	500	8,91
23	MTS2309T	100	1,86	500	9,32
24	MTS2409T	100	1,94	500	9,72
25	MTS2509T	75	1,52	250	5,06



**MTS\_097** 90°, Modular-Top Entry

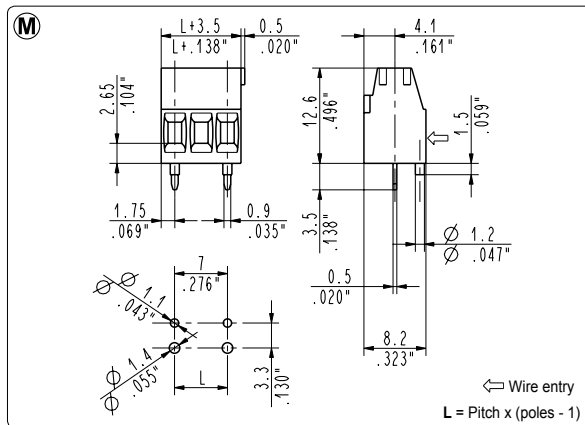
7.62 mm / .300" Pitch Weight per pole: 0.94 g

Poles	STD Code	Pcs/pack.	W [kg]*	Pcs/Ind.**	W [kg]*
01	MTS01097	800	0,75	3500	3,29
02	MTS02097	500	0,94	2250	4,23
03	MTS03097	300	0,85	1500	4,23
04	MTS04097	200	0,75	1000	3,76
05	MTS05097	150	0,71	750	3,53
06	MTS06097	125	0,71	750	4,23
07	MTS07097	150	0,99	750	4,94
08	MTS08097	150	1,13	500	3,76
09	MTS09097	100	0,85	500	4,23
10	MTS10097	100	0,94	500	4,70
11	MTS11097	100	1,03	500	5,17
12	MTS12097	100	1,13	500	5,64
13	MTS13097	75	0,92	250	3,06



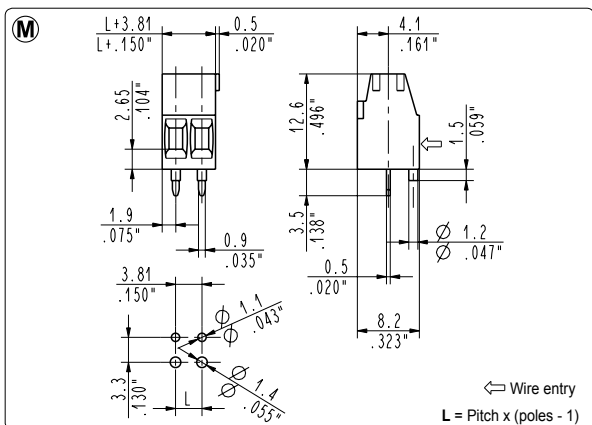
**MTS\_008-0000P** Straight with Vde Pegs, Side Entry

3.5 mm / .138" Pitch		Weight per pole: 0.81 g				
Poles	STD Code	Pcs/pack.	W [kg]*	Pcs/Ind.**	W [kg]*	
02	MTS02008-0000P	800	1,30	3500	5,67	
03	MTS03008-0000P	500	1,22	2250	5,47	



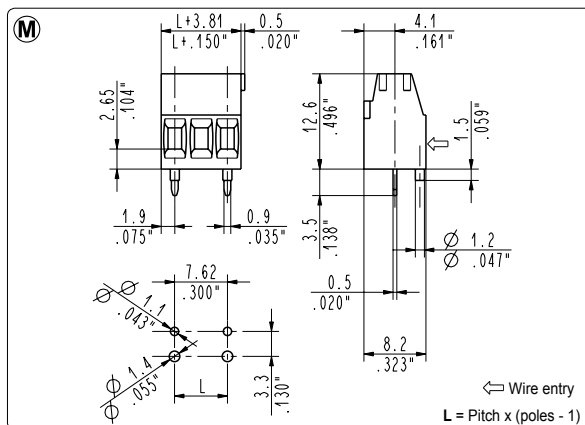
**MTS\_009-0000P** Straight with Vde Pegs, Side Entry

7 mm / .276" Pitch		Weight per pole: 0.94 g				
Poles	STD Code	Pcs/pack.	W [kg]*	Pcs/Ind.**	W [kg]*	
02	MTS02009-0000P	500	0,94	2250	4,23	
03	MTS03009-0000P	300	0,85	1500	4,23	



**MTS\_00T-0000P** Straight with Vde Pegs, Side Entry

3.81 mm / .150" Pitch		Weight per pole: 0.81 g				
Poles	STD Code	Pcs/pack.	W [kg]*	Pcs/Ind.**	W [kg]*	
02	MTS0200T-0000P	800	1,30	3500	5,67	
03	MTS0300T-0000P	500	1,22	2250	5,47	



**MTS\_007-0000P** Straight with Vde Pegs, Side Entry

7.62 mm / .300" Pitch		Weight per pole: 0.94 g				
Poles	STD Code	Pcs/pack.	W [kg]*	Pcs/Ind.**	W [kg]*	
02	MTS02007-0000P	500	0,94	2250	4,23	
03	MTS03007-0000P	300	0,85	1500	4,23	

