

- Cable assemblies
- D-Sub / Hoods Centronics
- Multiflex - DIN41651
- Modular
- USB IEEE1394
- Switches
- Powercords Powerline
- DIN41612 Hardmetric
- MiniDIN
- Sockets / Strips Jumper
- Terminal Blocks
- Memory Card
- FFC / FPC

Modular Steckverbinder der ASSMANN WSW components sind seit vielen Jahren aus der Telekommunikations- und Computerbranche nicht mehr wegzudenken. Jeder private Haushalt, der über ein Telefon verfügt, kennt diese Steckverbinder in Verbindung mit seiner Telefondose. Jeder Computeranwender der Verbindung zum Internet aufnimmt hat diesen Steckverbinder bereits in seine ISDN- oder Ethernet Box gesteckt.

RJ ist die übliche Abkürzung mit der die Steckverbinder der Modularserie benannt werden. RJ steht hierbei für Registered Jack. Deren Hauptanwendung finden Modular Steckverbinder im PC- bzw. Netzwerkbereich und in der Telekommunikation. ASSMANN WSW components offeriert neben dem allseits bekannten Standard RJ 45 in 8 polig eine Vielzahl von weiteren Modularstecker- und Buchsenversionen (Einzelports) in 4 polig (RJ11) und 6 polig (RJ12), die in gerader (180° Version) oder abgewinkelter (90° Version) bestellt werden können. Die Buchsensteckverbinder sind je nach Version in THT oder SMT Kontaktausführung lieferbar. Darüber hinaus sind die Steckverbinder in geschirmter oder ungeschirmter Version verfügbar. Die Bestückung wird aus Tape- und Reel Verpackungen oder Standard Trays vorgenommen.

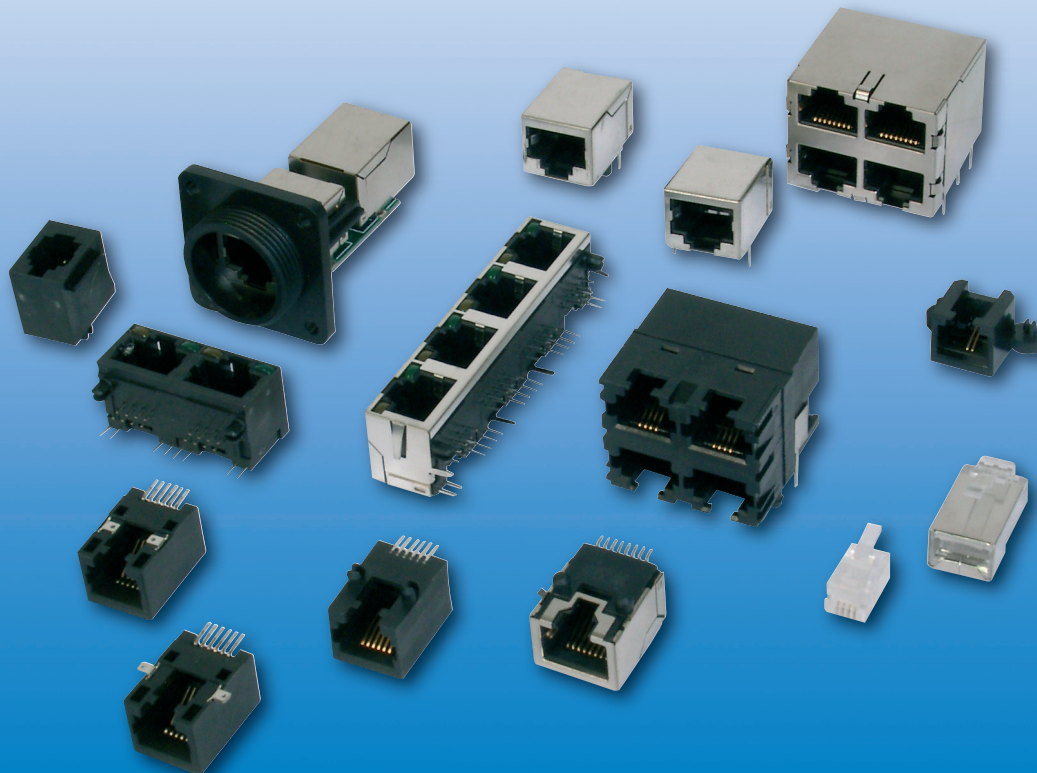
Sonderversionen, wie z.B.: Mehrfachports, Modular Steckverbinder mit verschiedenfarbigen LEDs und sogenannte 'Magnetic Modular Jacks' sind ebenfalls Teil der Angebotpalette. Gerne unterbreitet die ASSMANN WSW components ein Angebot über konfektionierte Kabelkonfektionsvarianten rein mit Modularsteckverbindern, aber auch mit anderen Steckverbindern kombiniert.

Modular connectors from ASSMANN WSW components are well-known products within the telecommunication- and computer market for many, many years. Nearly every private household, which is using a telephone, had been in touch with such a connector by connecting it to his outlet. Every computer user, who connects his computer to the internet had connected such a connector to an ISDN- or Ethernet box.

For modular connectors the commonly used abbreviation is RJ. RJ stands for Registered Jack.

Main applications for modular connectors to be found in the PC- and network range and within devices for the telecommunication market. ASSMANN WSW components offers, beside the well-known standard RJ 45 with 8 contacts, a variety of further modular connectors with 4 contacts (RJ11) and 6 contacts (RJ12), with straight (180° version) or right-angled (90° version) contacts. The female connectors (single ports) are available as THT and SMT versions. On top of that, customer has the choice between shielded and unshielded types. The pick- and place process can be done out of tray- or tape & reel packaging.

Special modular connector types, eg.: multi-ports, modular connectors with multi colour LED and the so called 'Magnetic modular jack' are also part of the product range. ASSMANN WSW components would be pleased complete our service by receiving your request about an offer of cable assemblies with modular connectors or other connectors. Please feel free to contact us.

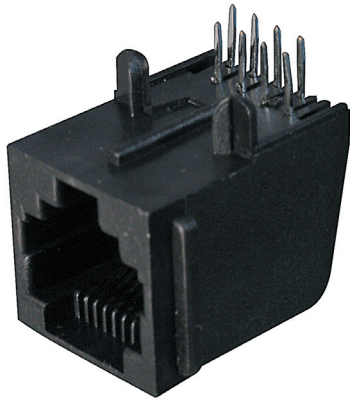


Produktbeschreibung	Seite
Modular Einbaubuchsen, abgewinkelt	98
Modular Einbaubuchsen, abgewinkelt, Low-Profile	99
Modular Einbaubuchsen, abgewinkelt, geschirmt	100
Modular Einbaubuchsen, abgewinkelt, Board-Locks, SMD	102
Modular Einbaubuchsen, abgewinkelt, SMD	103
Modular Einbaubuchsen, abgewinkelt, anreihbar, SMD	105
Modular Einbaubuchsen, Top entry, ungeschirmt	109
Modular Einbaubuchsen, Top entry, geschirmt	110
Modular Einbaubuchsen, Top entry, ungeschirmt, SMD	111
Modular Einbaubuchsen, abgewinkelt, geschirmt, CAT5	112
Modular Einbaubuchsen, Top-entry, geschirmt, CAT5	113
Modular Einbaubuchsen, abgewinkelt, geschirmt, CAT6	114
Modular Einbaubuchsen, Top-entry, CAT6	115
Modular Einbaubuchsen, 47.5°, geschirmt, CAT6	116
Modularbuchsen, IP67	117
Modularbuchsen, Keystone, IP67	119
Zubehör, Deckel mit Kette für IP67	120
Modular Stecker, Konfektions-Version, Knickschutz lang, IP67	121
Modular Stecker, Konfektions-Version, Knickschutz kurz, IP67	122
Modular-Kommunikationskabel, D-Form	123

Product description	page
Modular Jacks, right-angled	98
Modular Jacks, right-angled, low profile	99
Modular Jacks, right-angled, shielded	100
Modular Jacks, right-angled, board-locks, SMD	102
Modular Jacks, right-angled, SMD	103
Modular Jacks, right-angled, alignable, SMD	105
Modular Jacks, top entry, unshielded	109
Modular Jacks, top entry, shielded	110
Modular Jacks, top entry, unshielded, SMD	111
Modular Jacks, right-angled, shielded, CAT5	112
Modular Jacks, top-entry, shielded, CAT5	113
Modular Jacks, right-angled, shielded, CAT6	114
Modular Jacks, top-entry, CAT6	115
Modular Jacks, 47.5°, shielded, CAT6	116
Modular Jacks, IP67	117
Modular Jacks, Keystone, IP67	119
Accessories, cover with chain for IP67	120
Modular Plugs, assembly-type, long relief, IP67	121
Modular Jacks, assembly-type, short relief, IP67	122
Modular communication cable, D-Form	123



Cable assemblies
D-Sub / Hoods Centronics
Multiflex - DIN41651
Modular
USB IEEE1394
Switches
Powercards Powerinlets
DIN41612 Hardmetric
MiniDIN
Sockets / Strips Jumper
Terminal Blocks
Memory Card
FFC / FPC



Isolierkörpermaterial

PBT, UL94V-0

Kontaktmaterial

Phosphorbronze

Kontaktoberfläche

Ni, Au / Sn

Kontaktwiderstand

40mΩ max

Isolationswiderstand

1000MΩ min

Strombelastbarkeit

1.5A

Betriebstemperatur

-40°C - +85°C

Betriebsspannung

125V AC

Prüfspannung

1000V AC

Verpackung

Blisterverpackung

Insulator material

PBT, UL94V-0

Contact material

Phosphor bronze

Plating

Ni, Au / Sn

Contact resistance

40mΩ max

Insulation resistance

1000MΩ min

Current rating

1.5A

Operating temperature

-40°C - +85°C

Operating voltage

125V DC

Test voltage

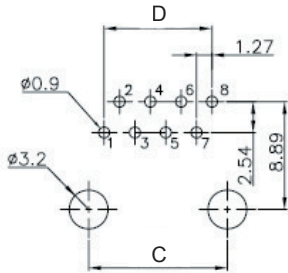
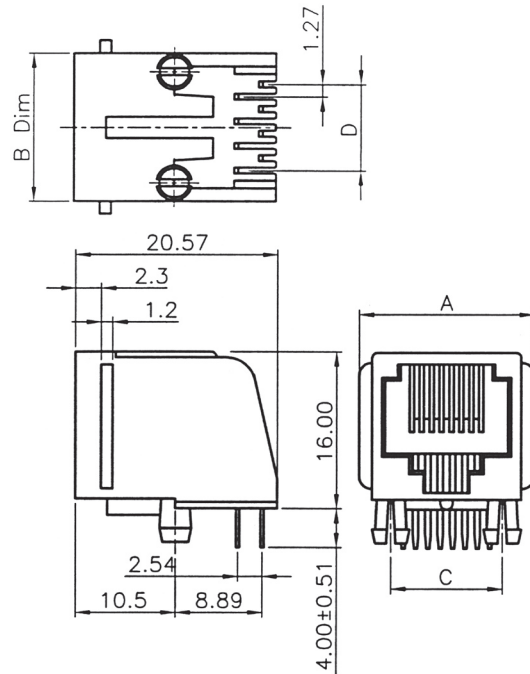
1000V AC

Packing

Tray packing

Dimensions

No. of contacts	A	B	C	D
4 (RJ11)	13.7	11.2	7.62	3.81
6 (RJ12)	15.7	13.21	10.16	6.35
8 (RJ45)	17.8	15.3	11.43	8.89



Bestellcode / Ordercode

Polzahl

- 0 - 4polig (RJ11)
- 1 - 6polig (RJ12)
- 2 - 8polig (RJ45)

No. of contacts

- 0 - 4-contacts (RJ11)
- 1 - 6-contacts (RJ12)
- 2 - 8-contacts (RJ45)

A - 2004 x

Bitte „x“ durch die geeignete Option ersetzen
Please replace „x“ with appropriate option

Cable
assemblies

D-Sub / Hoods
Centronics

Multiflex -
DIN41651

Modular

USB
IEEE1394

Switches

Powercords
Powerlets

DIN41612
Hardmetric

MiniDIN

Sockets / Strips
Jumper

Terminal Blocks

Memory Card

FFC / FPC

Isolierkörpermaterial

PBT, UL94V-0

Kontaktmaterial

Phosphorbronze

Kontaktfläche

Ni, Au / Sn

Kontaktwiderstand

30mΩ max

Isolationswiderstand

1000MΩ min

Strombelastbarkeit

1.5A

Betriebstemperatur

-40°C - +85°C

Betriebsspannung

125V AC

Prüfspannung

1000V AC

Verpackung

Blisterverpackung

Insulator material

PBT, UL94V-0

Contact material

Phosphor bronze

Plating

Ni, Au / Sn

Contact resistance

30mΩ max

Insulation resistance

1000MΩ min

Current rating

1.5A

Operating temperature

-40°C - +85°C

Operating voltage

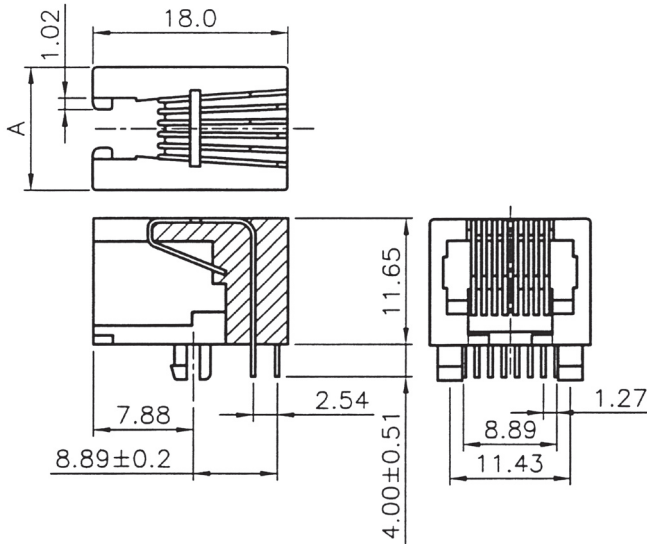
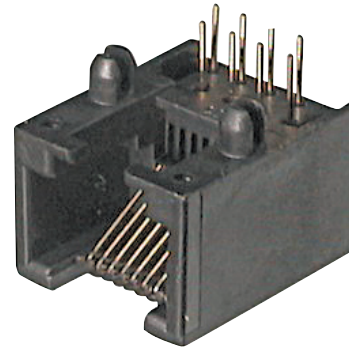
125V DC

Test voltage

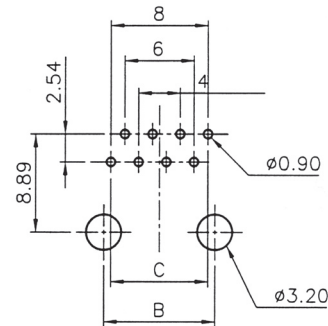
1000V AC

Packing

Tray packing



Dimensions			
No. of contacts	A	B	C
4 (RJ11)	11.16	7.62	3.81
6 (RJ12)	13.20	10.16	6.35
8 (RJ45)	15.15	11.43	8.89



Bestellcode / Ordercode

Polzahl

- 0 - 4polig (RJ11)
- 1 - 6polig (RJ12)
- 2 - 8polig (RJ45)

No. of contacts

- 0 - 4-contacts (RJ11)
- 1 - 6-contacts (RJ12)
- 2 - 8-contacts (RJ45)

LP - Low-Profile

LP - Low profile

A - 2004 x / LP

Bitte „x“ durch die geeignete Option ersetzen
 Please replace „x“ with appropriate option

Cable assemblies

D-Sub / Hoods Centronics

Multiflex - DIN41651

Modular

USB IEEE1394

Switches

Powercards Powerinlets

DIN41612 Hardmetric

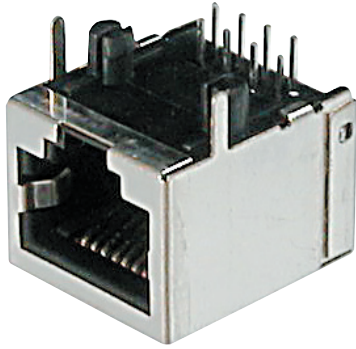
MiniDIN

Sockets / Strips Jumper

Terminal Blocks

Memory Card

FFC / FPC



Isolierkörpermaterial
PBT, UL94V-0

Kontaktmaterial
Phosphorbronze

Kontaktoberfläche
Ni, Au / Sn

Kontaktwiderstand
40mΩ max

Isolationswiderstand
1000MΩ min

Strombelastbarkeit
1.5A

Betriebstemperatur
-40°C - +85°C

Betriebsspannung
125V AC

Prüfspannung
1000V AC

Verpackung
Blisterverpackung

Insulator material
PBT, UL94V-0

Contact material
Phosphor bronze

Plating
Ni, Au / Sn

Contact resistance
40mΩ max

Insulation resistance
1000MΩ min

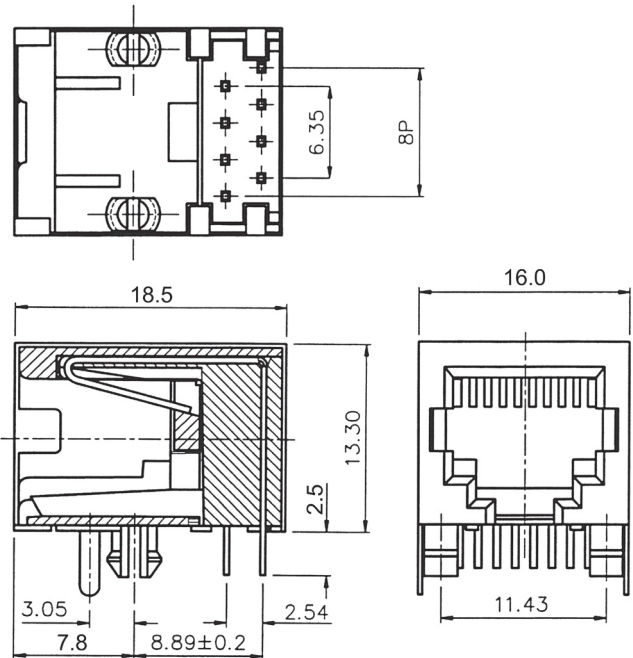
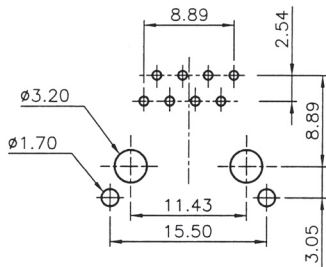
Current rating
1.5A

Operating temperature
-40°C - +85°C

Operating voltage
125V DC

Test voltage
1000V AC

Packing
Tray packing



Bestellcode / Ordercode

Polzahl
2 - 8polig (RJ45)

No. of contacts
2 - 8-contacts (RJ45)

A - 2004 2 - LPS

Cable
assemblies

D-Sub / Hoods
Centronics

Multiflex -
DIN41651

Modular

USB
IEEE1394

Switches

Powercords
Powerlets

DIN41612
Hardmetric

MiniDIN

Sockets / Strips
Jumper

Terminal Blocks

Memory Card

FFC / FPC

Isolierkörpermaterial

PBT, UL94V-0

Kontaktmaterial

Phosphorbronze

Kontaktfläche

Ni, Au / Sn

Kontaktwiderstand

40mΩ max

Isolationswiderstand

1000MΩ min

Strombelastbarkeit

1.5A

Betriebstemperatur

-40°C - +85°C

Betriebsspannung

125V AC

Prüfspannung

1000V AC

Verpackung

Blisterverpackung

Insulator material

PBT, UL94V-0

Contact material

Phosphor bronze

Plating

Ni, Au / Sn

Contact resistance

40mΩ max

Insulation resistance

1000MΩ min

Current rating

1.5A

Operating temperature

-40°C - +85°C

Operating voltage

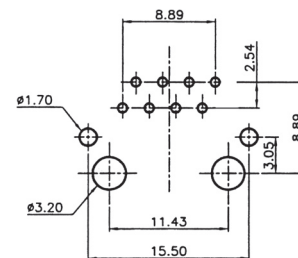
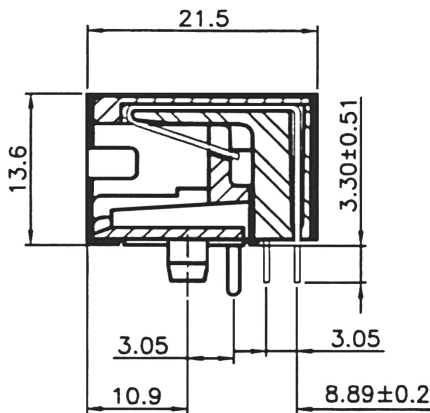
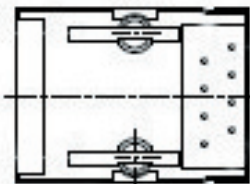
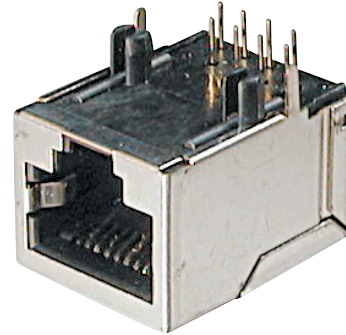
125V DC

Test voltage

1000V AC

Packing

Tray packing



Bestellcode / Ordercode

Polzahl

2 - 8polig (RJ45)

No. of contacts

2 - 8-contacts (RJ45)

A - 2004 2 - LP / FS

Cable assemblies

D-Sub / Hoods Centronics

Multiflex - DIN41651

Modular

USB IEEE1394

Switches

Powercards Powerinlets

DIN41612 Hardmetric

MiniDIN

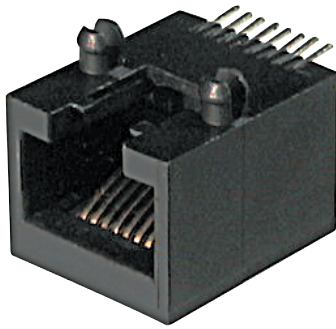
Sockets / Strips Jumper

Terminal Blocks

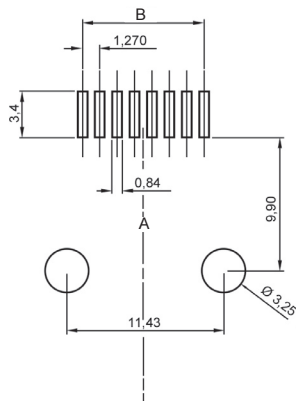
Memory Card

FFC / FPC

- Cable assemblies
- D-Sub / Hoods
- Centronics
- Multiflex - DIN41651
- Modular
- USB IEEE1394
- Switches
- Powercords Powerlets
- DIN41612 Hardmetric
- MiniDIN
- Sockets / Strips Jumper
- Terminal Blocks
- Memory Card
- FFC / FPC



Dimensions		
No. of contacts	A	B
6 (RJ12)	10.16	6.35
8 (RJ45)	11.43	8.89



Isolierkörpermaterial
Nylon (FR52), UL94V-0

Kontaktmaterial
Phosphorbronze

Kontaktoberfläche
Ni, 6µ" Au / Sn

Kontaktwiderstand
35mΩ max

Isolationswiderstand
1000MΩ min

Strombelastbarkeit
1.5A

Betriebstemperatur
-40°C - +85°C

Betriebsspannung
125V AC

Prüfspannung
1000V AC

Verpackung
Stangenverpackung

Insulator material
Nylon (FR52), UL94V-0

Contact material
Phosphor bronze

Plating
Ni, 6µ" Au / Sn

Contact resistance
35mΩ max

Insulation resistance
1000MΩ min

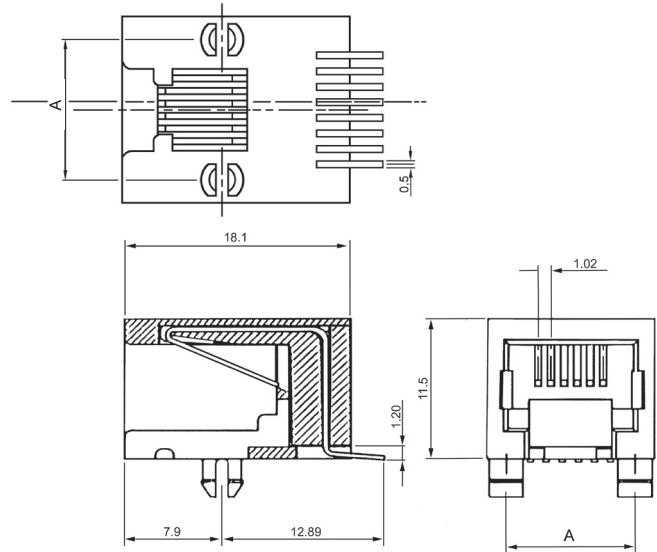
Current rating
1.5A

Operating temperature
-40°C - +85°C

Operating voltage
125V DC

Test voltage
1000V AC

Packing
Tube packing



Bestellcode / Ordercode

Polzahl

- 1 - 6polig (RJ12)
- 2 - 8polig (RJ45)

No. of contacts

- 1 - 6-contacts (RJ12)
- 2 - 8-contacts (RJ45)

A - 2004 x - LP / SMT

Bitte „x“ durch die geeignete Option ersetzen
Please replace „x“ with appropriate option

Isolierkörpermaterial
Nylon (FR52), UL94V-0

Kontaktmaterial
Phosphorbronze

Kontaktfläche
Ni, 6µ" Au / Sn

Kontaktwiderstand
35mΩ max

Isolationswiderstand
1000MΩ min

Strombelastbarkeit
1.5A

Betriebstemperatur
-40°C - +85°C

Betriebsspannung
125V AC

Prüfspannung
1000V AC

Verpackung
Rollenverpackung

Insulator material
Nylon (FR52), UL94V-0

Contact material
Phosphor bronze

Plating
Ni, 6µ" Au / Sn

Contact resistance
35mΩ max

Insulation resistance
1000MΩ min

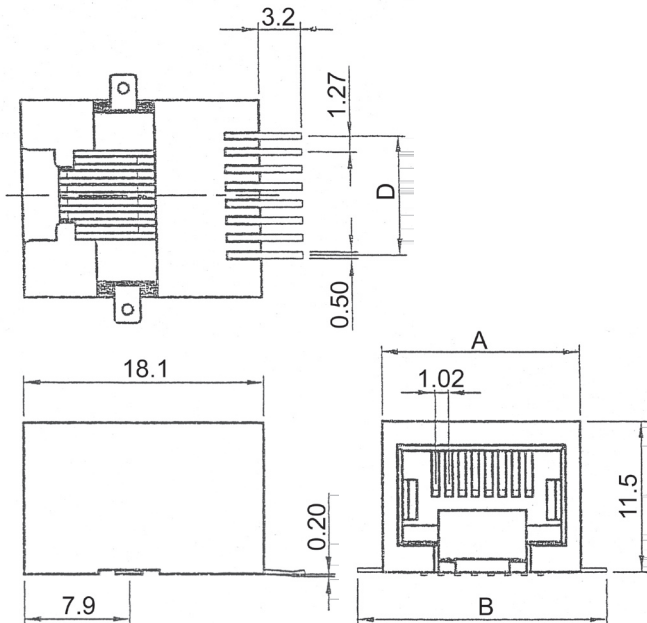
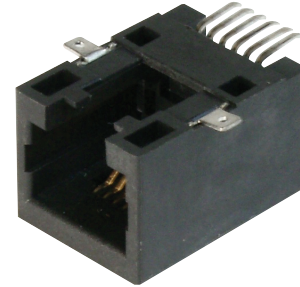
Current rating
1.5A

Operating temperature
-40°C - +85°C

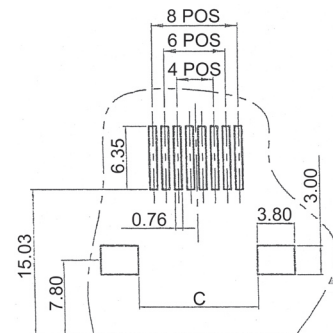
Operating voltage
125V DC

Test voltage
1000V AC

Packing
Reel packing



Dimensions			
No. of contacts	A	B	C
4 (RJ11)	11.20	8.60	3.81
6 (RJ12)	13.20	10.60	6.35
8 (RJ45)	15.10	12.50	8.89



Bestellcode / Ordercode

Polzahl
 0 - 4polig (RJ11)
 1 - 6polig (RJ12)*
 2 - 8polig (RJ45)*

No. of contacts
 0 - 4-contacts (RJ11)
 1 - 6-contacts (RJ12)*
 2 - 8-contacts (RJ45)*

A - 2004 x - LP / SMT - A

Bitte „x“ durch die geeignete Option ersetzen
 Please replace „x“ with appropriate option

Cable assemblies

D-Sub / Hoods Centronics

Multiflex - DIN41651

Modular

USB IEEE1394

Switches

Powercards Powerinlets

DIN41612 Hardmetric

MiniDIN

Sockets / Strips Jumper

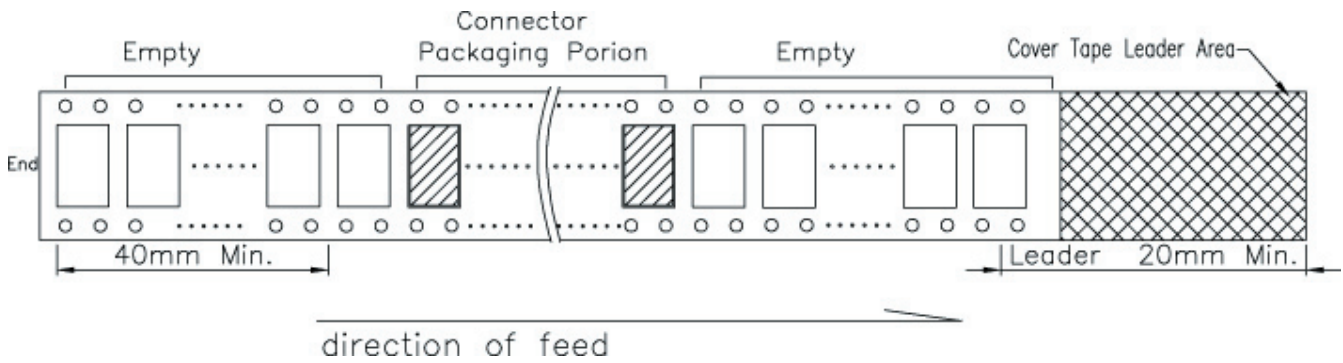
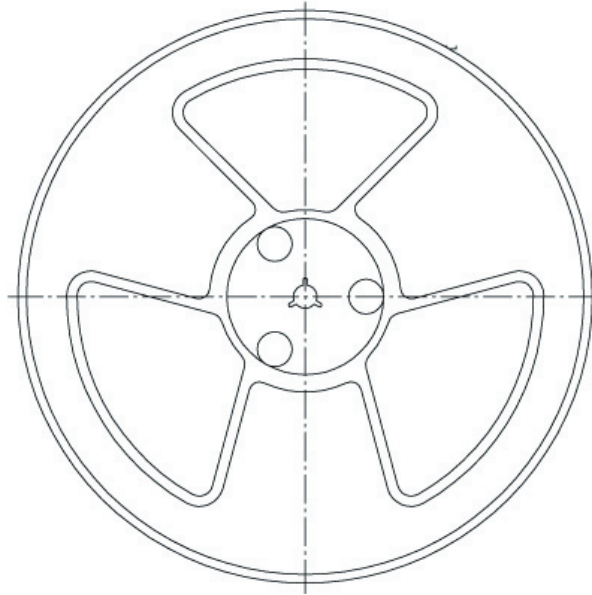
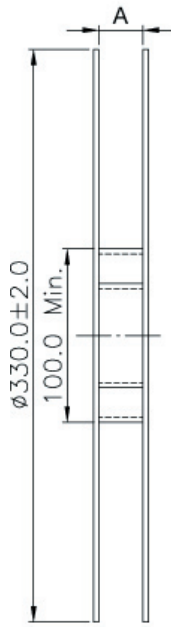
Terminal Blocks

Memory Card

FFC / FPC

Verpackung entspricht
EIA-481-C.

Packing correspond with
EIA-481-C.



No. of contacts	A	Qty per Reel
4 (RJ11)	44	160
6 (RJ12)	44	180
8 (RJ45)	44	130

Cable
assemblies

D-Sub / Hoods
Centronics

Multiflex -
DIN41651

Modular

USB
IEEE1394

Switches

Powercords
Powerlets

DIN41612
Hardmetric

MiniDIN

Sockets / Strips
Jumper

Terminal Blocks

Memory Card

FFC / FPC

Isolierkörpermaterial
Nylon (FR52), UL94V-0

Kontaktmaterial
Phosphorbronze

Kontaktfläche
Ni, 6µ" Au / Sn

Kontaktwiderstand
35mΩ max

Isolationswiderstand
1000MΩ min

Strombelastbarkeit
1.5A

Betriebstemperatur
-40°C - +85°C

Betriebsspannung
125V AC

Prüfspannung
1000V AC

Verpackung
Rollenverpackung

Insulator material
Nylon (FR52), UL94V-0

Contact material
Phosphor bronze

Plating
Ni, 6µ" Au / Sn

Contact resistance
35mΩ max

Insulation resistance
1000MΩ min

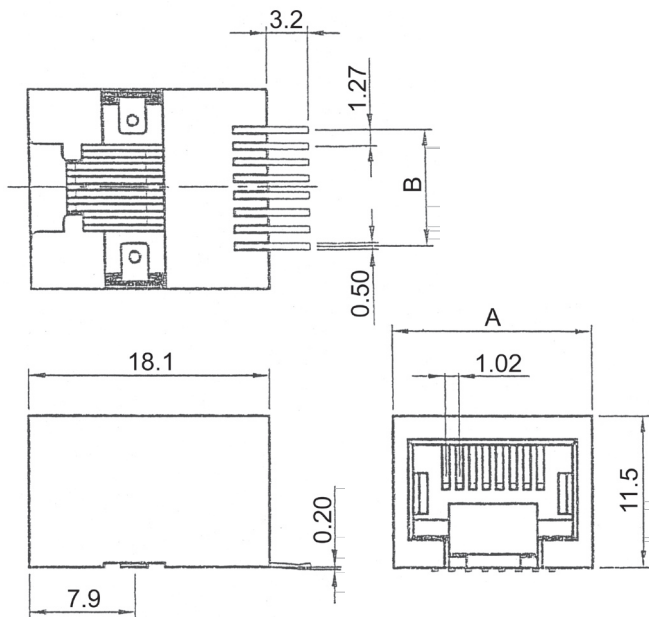
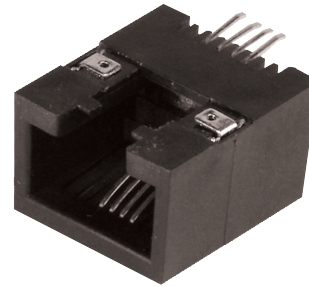
Current rating
1.5A

Operating temperature
-40°C - +85°C

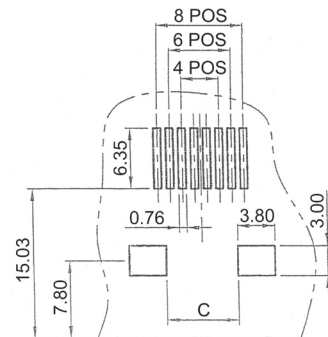
Operating voltage
125V DC

Test voltage
1000V AC

Packing
Reel packing



Dimensions			
No. of contacts	A	B	C
4 (RJ11)	11.20	3.81	3.20
6 (RJ12)	13.20	6.35	5.40
8 (RJ45)	15.10	8.89	7.38



Bestellcode / Ordercode

Polzahl

No. of contacts

- 0 - 4polig (RJ11)
- 1 - 6polig (RJ12)*
- 2 - 8polig (RJ45)*

- 0 - 4-contacts (RJ11)
- 1 - 6-contacts (RJ12)*
- 2 - 8-contacts (RJ45)*

A - 2004 x - LP / SMT - B

Bitte „x“ durch die geeignete Option ersetzen
 Please replace „x“ with appropriate option

* Standard

Cable assemblies

D-Sub / Hoods Centronics

Multiflex - DIN41651

Modular

USB IEEE1394

Switches

Powercords Powerinlets

DIN41612 Hardmetric

MiniDIN

Sockets / Strips Jumper

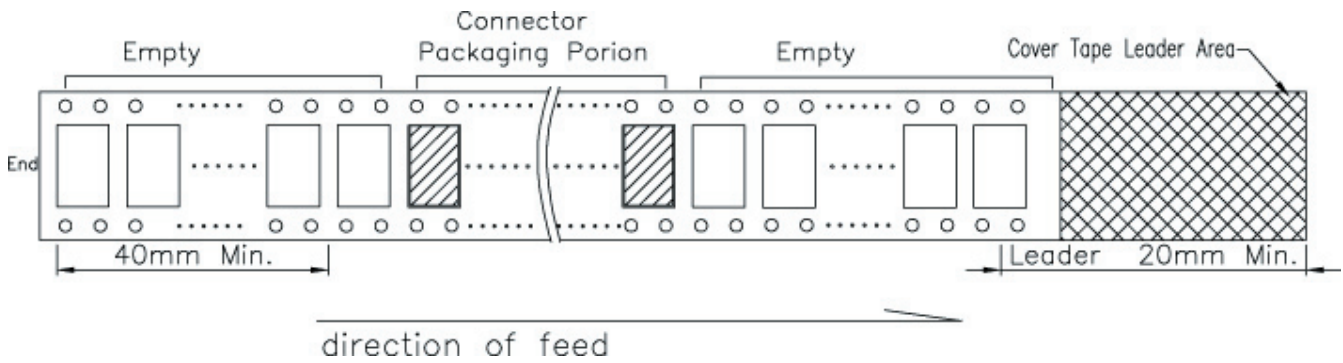
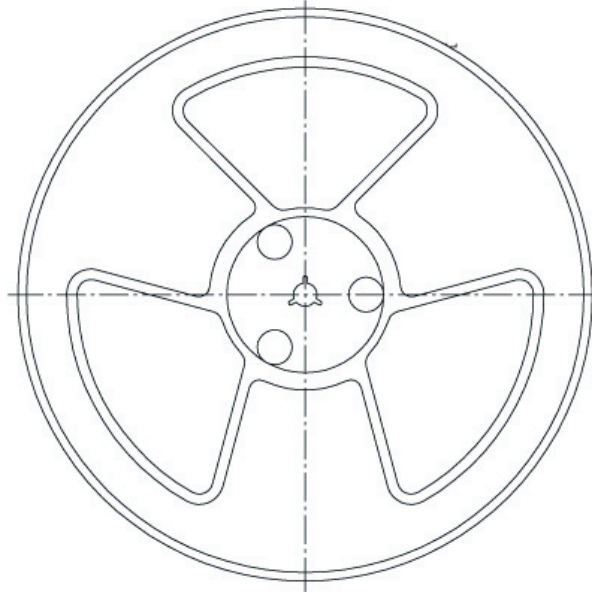
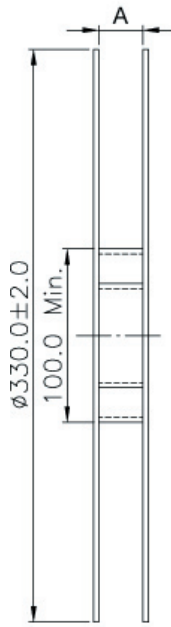
Terminal Blocks

Memory Card

FFC / FPC

Verpackung entspricht
EIA-481-C.

Packing correspond with
EIA-481-C.



No. of contacts	A	Qty per Reel
4 (RJ11)	44	160
6 (RJ12)	44	180
8 (RJ45)	44	130

Cable
assemblies

D-Sub / Hoods
Centronics

Multiflex -
DIN41651

Modular

USB
IEEE1394

Switches

Powercords
Powerlets

DIN41612
Hardmetric

MiniDIN

Sockets / Strips
Jumper

Terminal Blocks

Memory Card

FFC / FPC

Isolierkörpermaterial
Nylon (FR52), UL94V-0

Kontaktmaterial
Phosphorbronze

Kontaktfläche
Ni, 6µ" Au / Sn

Kontaktwiderstand
35mΩ max

Isolationswiderstand
1000MΩ min

Strombelastbarkeit
1.5A

Betriebstemperatur
-40°C - +85°C

Betriebsspannung
125V AC

Prüfspannung
1000V AC

Verpackung
Rollenverpackung

Insulator material
Nylon (FR52), UL94V-0

Contact material
Phosphor bronze

Plating
Ni, 6µ" Au / Sn

Contact resistance
35mΩ max

Insulation resistance
1000MΩ min

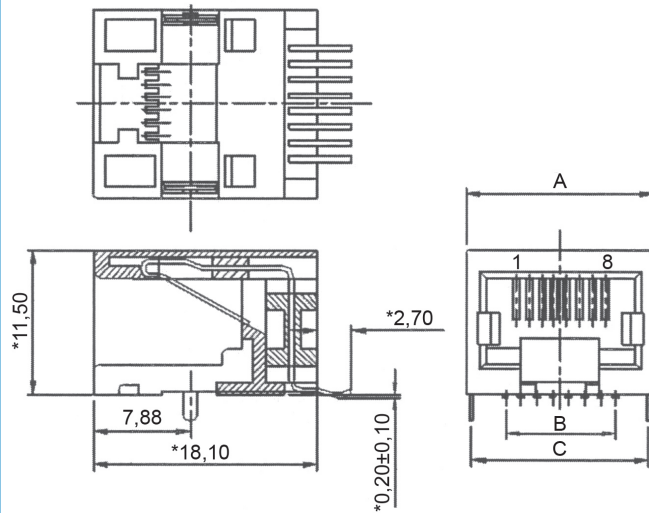
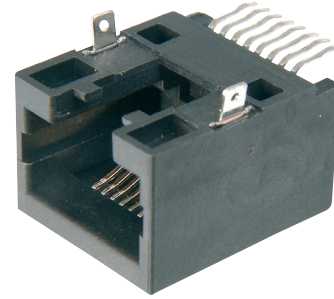
Current rating
1.5A

Operating temperature
-40°C - +85°C

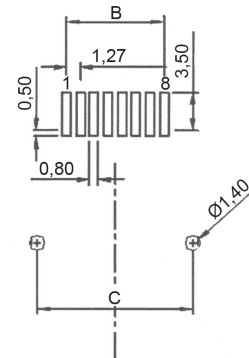
Operating voltage
125V DC

Test voltage
1000V AC

Packing
Reel packing



Dimensions			
No. of contacts	A	B	C
4 (RJ11)	11.20	3.81	10.2
6 (RJ12)	13.20	6.35	12.16
8 (RJ45)	15.10	8.89	14.19



Bestellcode / Ordercode

Polzahl

- 0 - 4polig (RJ11)
- 1 - 6polig (RJ12)*
- 2 - 8polig (RJ45)*

No. of contacts

- 0 - 4-contacts (RJ11)
- 1 - 6-contacts (RJ12)*
- 2 - 8-contacts (RJ45)*

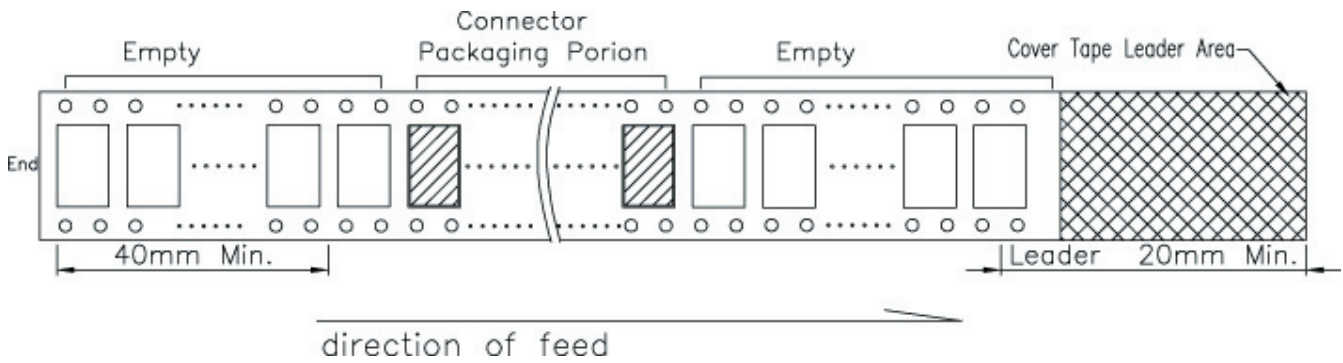
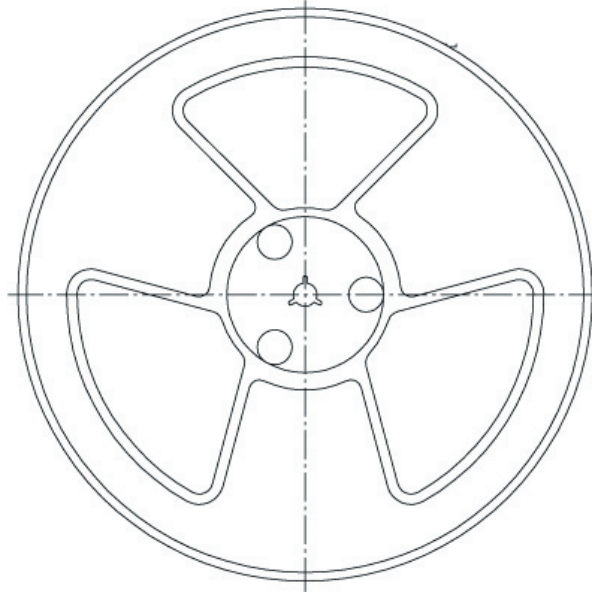
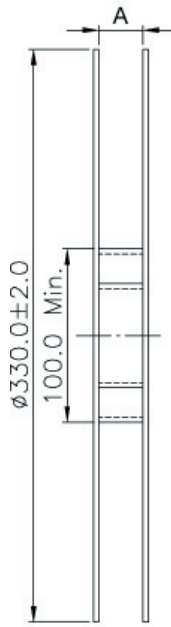
A - 2004 x - LP / SMT - C

Bitte „x“ durch die geeignete Option ersetzen
 Please replace „x“ with appropriate option

- Cable assemblies
- D-Sub / Hoods Centronics
- Multiflex - DIN41651
- Modular
- USB IEEE1394
- Switches
- Powercords Powerinlets
- DIN41612 Hardmetric
- MiniDIN
- Sockets / Strips Jumper
- Terminal Blocks
- Memory Card
- FFC / FPC

Verpackung entspricht
EIA-481-C.

Packing correspond with
EIA-481-C.



No. of contacts	A	Qty per Reel
4 (RJ11)	44	160
6 (RJ12)	44	180
8 (RJ45)	44	130

Cable
assemblies

D-Sub / Hoods
Centronics

Multiflex -
DIN41651

Modular

USB
IEEE1394

Switches

Powercords
Powerlets

DIN41612
Hardmetric

MiniDIN

Sockets / Strips
Jumper

Terminal Blocks

Memory Card

FFC / FPC

Isolierkörpermaterial

PBT, UL94V-0

Kontaktmaterial

Phosphorbronze

Kontaktfläche

Ni, Au / Sn

Kontaktwiderstand

30mΩ max

Isolationswiderstand

1000MΩ min

Strombelastbarkeit

1.5A

Betriebstemperatur

-40°C - +85°C

Betriebsspannung

125V AC

Prüfspannung

1000V AC

Verpackung

Blisterverpackung

Insulator material

PBT, UL94V-0

Contact material

Phosphor bronze

Plating

Ni, Au / Sn

Contact resistance

40mΩ max

Insulation resistance

1000MΩ min

Current rating

1.5A

Operating temperature

-40°C - +85°C

Operating voltage

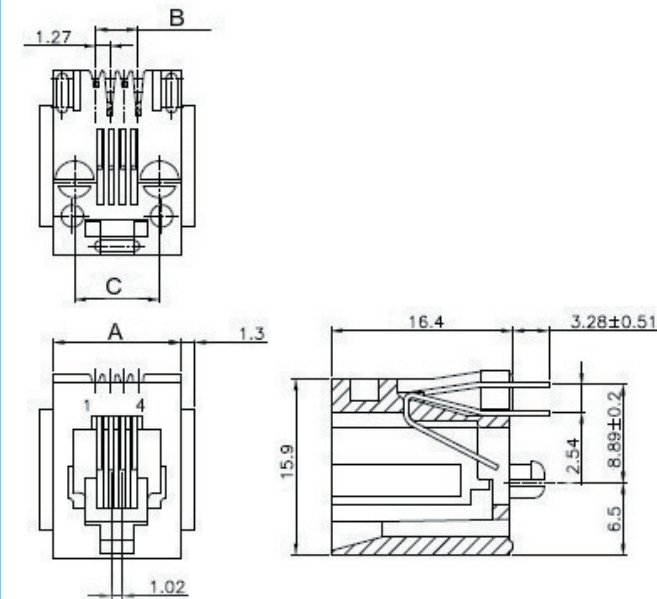
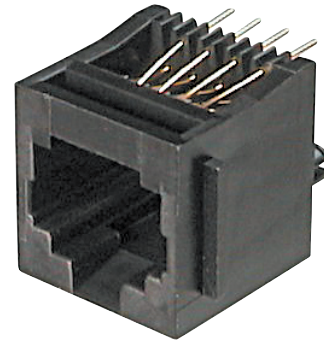
125V DC

Test voltage

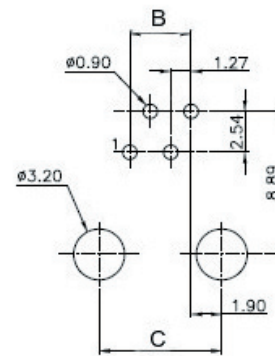
1000V AC

Packing

Tray packing



Dimensions			
No. of contacts	A	B	C
4 (RJ11)	11.43	3.81	7.62
6 (RJ12)	13.46	6.35	10.16
8 (RJ45)	15.36	8.89	11.43



Bestellcode / Ordercode

Polzahl

- 0 - 4polig (RJ11)
- 1 - 6polig (RJ12)
- 2 - 8polig (RJ45)

No. of contacts

- 0 - 4-contacts (RJ11)
- 1 - 6-contacts (RJ12)
- 2 - 8-contacts (RJ45)

A - 2014 x

Bitte „x“ durch die geeignete Option ersetzen
 Please replace „x“ with appropriate option

Cable assemblies

D-Sub / Hoods Centronics

Multiflex - DIN41651

Modular

USB IEEE1394

Switches

Powercords Powerinlets

DIN41612 Hardmetric

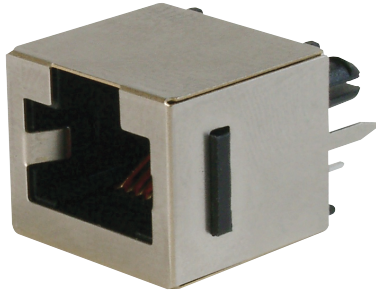
MiniDIN

Sockets / Strips Jumper

Terminal Blocks

Memory Card

FFC / FPC



Isolierkörpermaterial
PBT, UL94V-0

Kontaktmaterial
Phosphorbronze

Kontaktoberfläche
Ni, 6µ" Au / Sn

Kontaktwiderstand
35mΩ max

Isolationswiderstand
1000MΩ min

Strombelastbarkeit
1.5A

Betriebstemperatur
-40°C - +85°C

Betriebsspannung
125V AC

Prüfspannung
1000V AC

Verpackung
Blisterverpackung

Insulator material
PBT, UL94V-0

Contact material
Phosphor bronze

Plating
Ni, 6µ" Au / Sn

Contact resistance
35mΩ max

Insulation resistance
1000MΩ min

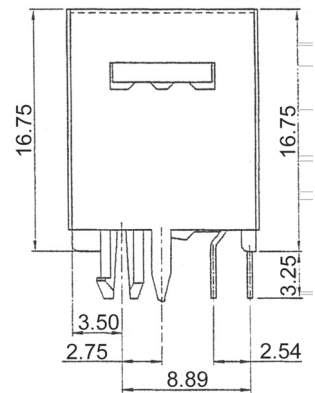
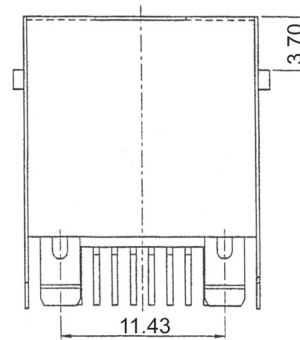
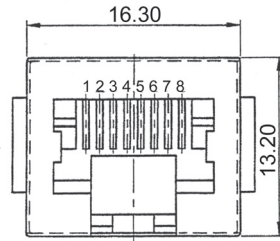
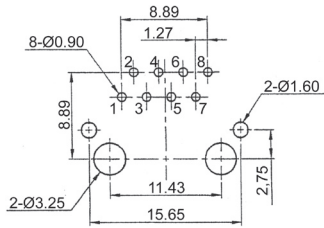
Current rating
1.5A

Operating temperature
-40°C - +85°C

Operating voltage
125V DC

Test voltage
1000V AC

Packing
Tray packing



Bestellcode / Ordercode

2 - 8polig (RJ45)

2 - 8-contacts (RJ45)

A - 2014 2 - LP - FS

Cable
assemblies

D-Sub / Hoods
Centronics

Multiflex -
DIN41651

Modular

USB
IEEE1394

Switches

Powercords
Powerlets

DIN41612
Hardmetric

MiniDIN

Sockets / Strips
Jumper

Terminal Blocks

Memory Card

FFC / FPC

Isolierkörpermaterial
Nylon (FR52), UL94V-0

Kontaktmaterial
Phosphorbronze

Kontaktfläche
Ni, 6µ" Au / Sn

Kontaktwiderstand
35mΩ max

Isolationswiderstand
1000MΩ min

Strombelastbarkeit
1.5A

Betriebstemperatur
-40°C - +85°C

Betriebsspannung
125V AC

Prüfspannung
1000V AC

Verpackung
Blisterverpackung

Insulator material
Nylon (FR52), UL94V-0

Contact material
Phosphor bronze

Plating
Ni, 6µ" Au / Sn

Contact resistance
35mΩ max

Insulation resistance
1000MΩ min

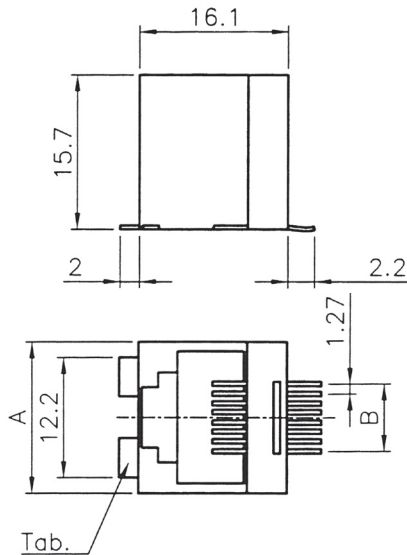
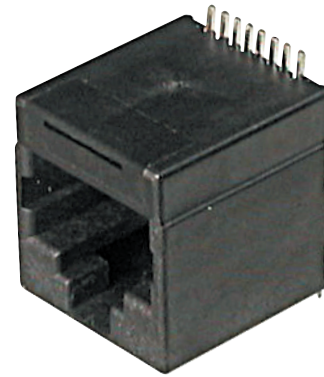
Current rating
1.5A

Operating temperature
-40°C - +85°C

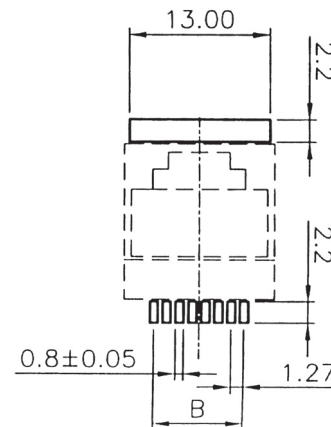
Operating voltage
125V DC

Test voltage
1000V AC

Packing
Tray packing



Dimensions		
No. of contacts	A	B
6 (RJ12)	13.20	6.35
8 (RJ45)	15.24	8.89



Bestellcode / [Ordercode](#)

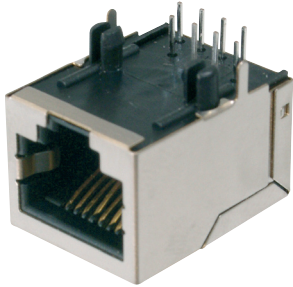
Polzahl
 1 - 6polig (RJ12)
 2 - 8polig (RJ45)

No. of contacts
 1 - 6-contacts (RJ12)
 2 - 8-contacts (RJ45)

A - 2014 x - SMT

Bitte „x“ durch die geeignete Option ersetzen
 Please replace „x“ with appropriate option

- Cable assemblies
- D-Sub / Hoods Centronics
- Multiflex - DIN41651
- Modular
- USB IEEE1394
- Switches
- Powercards Powerinlets
- DIN41612 Hardmetric
- MiniDIN
- Sockets / Strips Jumper
- Terminal Blocks
- Memory Card
- FFC / FPC



Isolierkörpermaterial
PBT, UL94V-0

Kontaktmaterial
Phosphorbronze

Kontaktoberfläche
Ni, 6µ" Au / Sn

Kontaktwiderstand
40mΩ max

Isolationswiderstand
1000MΩ min

Strombelastbarkeit
1.5A

Betriebstemperatur
-40°C - +85°C

Betriebsspannung
125V AC

Prüfspannung
1000V AC

Verpackung
Blisterverpackung

Insulator material
PBT, UL94V-0

Contact material
Phosphor bronze

Plating
Ni, 6µ" Au / Sn

Contact resistance
40mΩ max

Insulation resistance
1000MΩ min

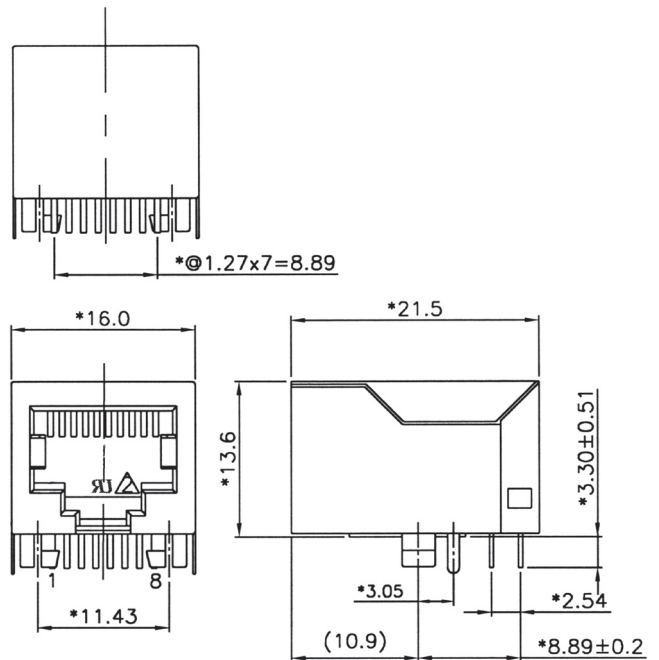
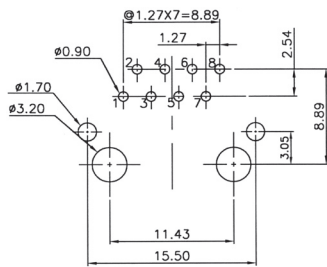
Current rating
1.5A

Operating temperature
-40°C - +85°C

Operating voltage
125V DC

Test voltage
1000V AC

Packing
Tray packing



Bestellcode / Ordercode

88 - 8polig (RJ45)

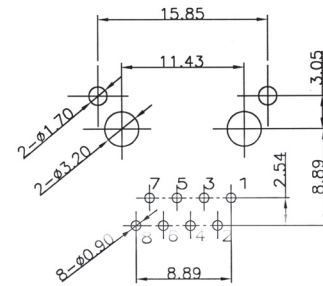
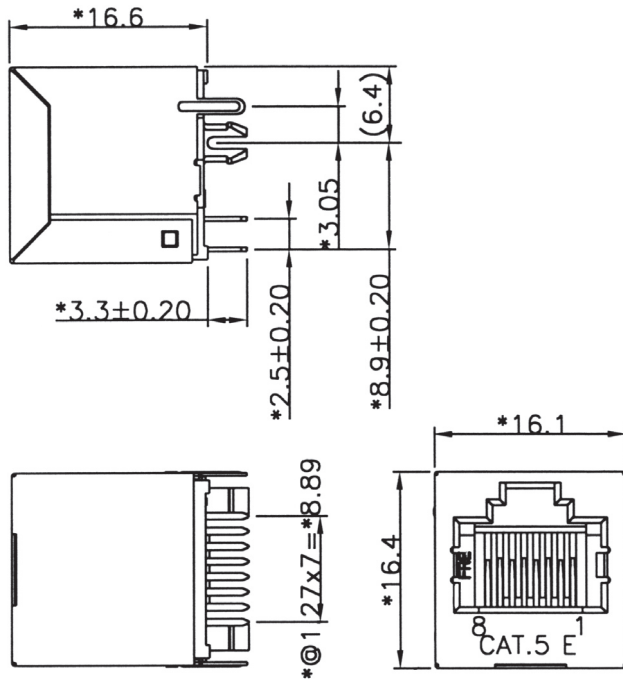
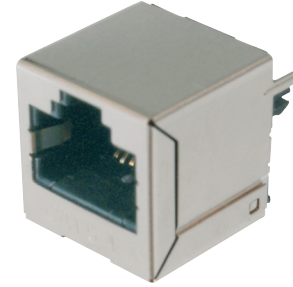
88 - 8-contacts (RJ45)

AMJ - 1 88 - 0010100 - CAT5

- Cable assemblies
- D-Sub / Hoods Centronics
- Multiflex - DIN41651
- Modular
- USB IEEE1394
- Switches
- Powercords Powerlets
- DIN41612 Hardmetric
- MiniDIN
- Sockets / Strips Jumper
- Terminal Blocks
- Memory Card
- FFC / FPC

Isolierkörpermaterial
 PBT, UL94V-0
Kontaktmaterial
 Phosphorbronze
Kontaktfläche
 Ni, 6µ" Au / Sn
Kontaktwiderstand
 40mΩ max
Isolationswiderstand
 1000MΩ min
Strombelastbarkeit
 1.5A
Betriebstemperatur
 -40°C - +85°C
Betriebsspannung
 125V AC
Prüfspannung
 1000V AC
Verpackung
 Blisterverpackung

Insulator material
 PBT, UL94V-0
Contact material
 Phosphor bronze
Plating
 Ni, 6µ" Au / Sn
Contact resistance
 40mΩ max
Insulation resistance
 1000MΩ min
Current rating
 1.5A
Operating temperature
 -40°C - +85°C
Operating voltage
 125V DC
Test voltage
 1000V AC
Packing
 Tray packing



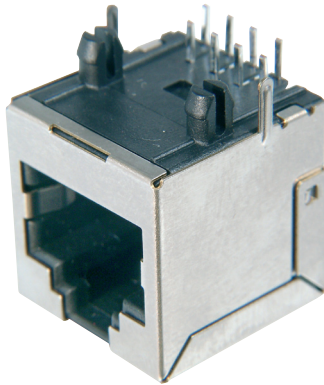
Bestellcode / Ordercode

88 - 8polig (RJ45)

88 - 8-contacts (RJ45)

AMJ - 1 88 - 1001010 - CAT5

- Cable assemblies
- D-Sub / Hoods Centronics
- Multiflex - DIN41651
- Modular
- USB IEEE1394
- Switches
- Powercards Powerinlets
- DIN41612 Hardmetric
- MiniDIN
- Sockets / Strips Jumper
- Terminal Blocks
- Memory Card
- FFC / FPC



Isolierkörpermaterial
PBT, UL94V-0

Kontaktmaterial
Phosphorbronze

Kontaktoberfläche
Ni, 50µ" Au / Sn

Kontaktwiderstand
30mΩ max

Isolationswiderstand
1000MΩ min

Strombelastbarkeit
1.5A

Betriebstemperatur
-40°C - +85°C

Betriebsspannung
125V AC

Prüfspannung
750V AC

Verpackung
Blisterverpackung

Insulator material
PBT, UL94V-0

Contact material
Phosphor bronze

Plating
Ni, 50µ" Au / Sn

Contact resistance
30mΩ max

Insulation resistance
1000MΩ min

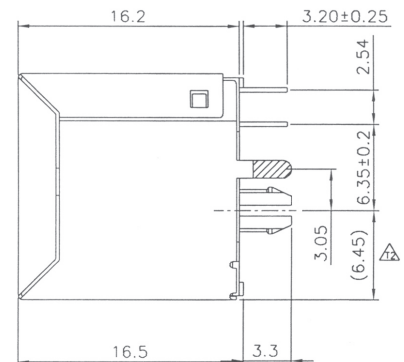
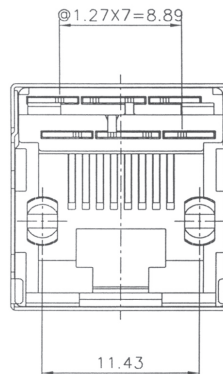
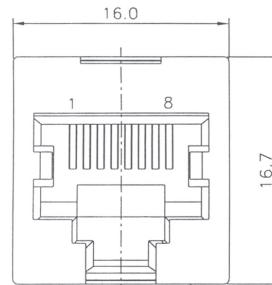
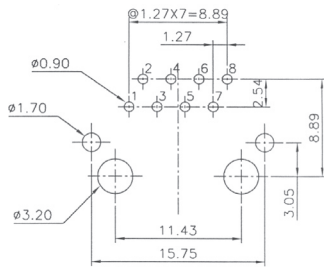
Current rating
1.5A

Operating temperature
-40°C - +85°C

Operating voltage
125V DC

Test voltage
750V AC

Packing
Tray packing



Bestellcode / Ordercode

88 - 8polig (RJ45)

88 - 8-contacts (RJ45)

AMJ - 1 88 - 10101 - CAT6

Cable
assemblies

D-Sub / Hoods
Centronics

Multiflex -
DIN41651

Modular

USB
IEEE1394

Switches

Powercords
Powerlets

DIN41612
Hardmetric

MiniDIN

Sockets / Strips
Jumper

Terminal Blocks

Memory Card

FPC / FPC

Isolierkörpermaterial

PBT, UL94V-0

Kontaktmaterial

Phosphorbronze

Kontaktfläche

Ni, 50µ" Au / Sn

Kontaktwiderstand

30mΩ max

Isolationswiderstand

1000MΩ min

Strombelastbarkeit

1.5A

Betriebstemperatur

-40°C - +85°C

Betriebsspannung

125V AC

Prüfspannung

750V AC

Verpackung

Blisterverpackung

Insulator material

PBT, UL94V-0

Contact material

Phosphor bronze

Plating

Ni, 50µ" Au / Sn

Contact resistance

30mΩ max

Insulation resistance

1000MΩ min

Current rating

1.5A

Operating temperature

-40°C - +85°C

Operating voltage

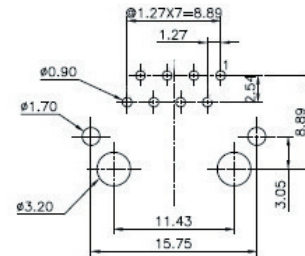
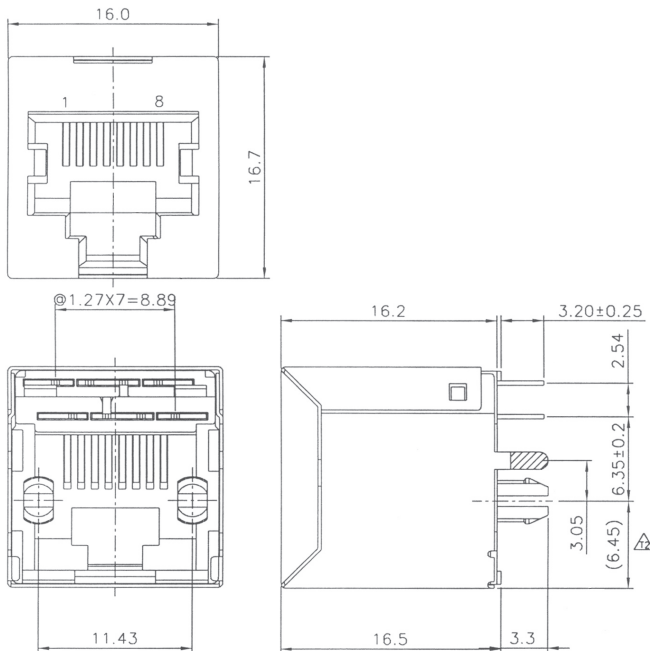
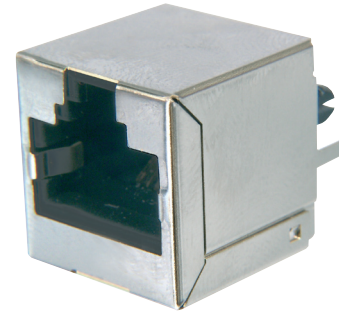
125V DC

Test voltage

750V AC

Packing

Tray packing



Bestellcode / Ordercode

88 - 8polig (RJ45)

88 - 8-contacts (RJ45)

AMJ - 1 88 - 00101 - CAT6

Cable assemblies

D-Sub / Hoods Centronics

Multiflex - DIN41651

Modular

USB IEEE1394

Switches

Powercards Powerinlets

DIN41612 Hardmetric

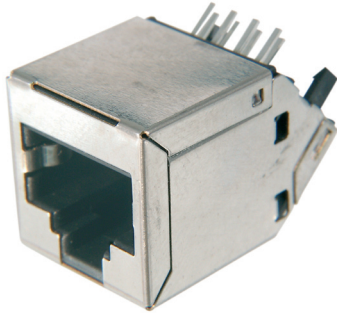
MiniDIN

Sockets / Strips Jumper

Terminal Blocks

Memory Card

FFC / FPC



Isolierkörpermaterial
PBT, UL94V-0

Kontaktmaterial
Phosphorbronze

Kontaktfläche
Ni, 50µ" Au / Sn

Kontaktwiderstand
30mΩ max

Isolationswiderstand
1000MΩ min

Strombelastbarkeit
1.5A

Betriebstemperatur
-40°C - +85°C

Betriebsspannung
125V AC

Prüfspannung
750V AC

Verpackung
Blisterverpackung

Insulator material
PBT, UL94V-0

Contact material
Phosphor bronze

Plating
Ni, 50µ" Au / Sn

Contact resistance
30mΩ max

Insulation resistance
1000MΩ min

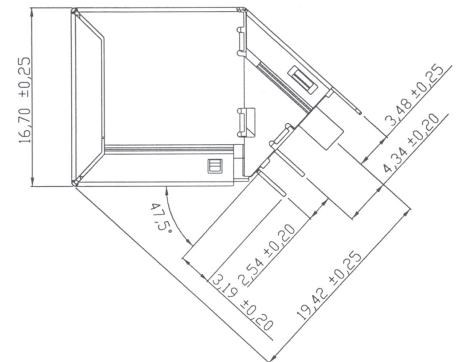
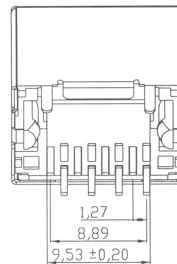
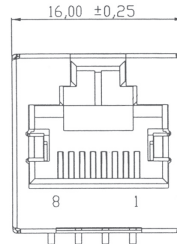
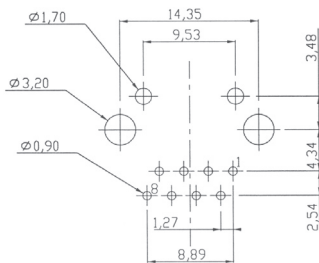
Current rating
1.5A

Operating temperature
-40°C - +85°C

Operating voltage
125V DC

Test voltage
750V AC

Packing
Tray packing



Bestellcode / Ordercode

88 - 8polig (RJ45)

88 - 8-contacts (RJ45)

AMJ - 1 88 - 30101 - CAT6

Isolierkörpermaterial

PBT, UL94V-0

Kontaktmaterial

Phosphorbronze

Kontaktfläche

Ni, Au / Sn

Kontaktwiderstand

20mΩ max

Isolationswiderstand

500MΩ min

Strombelastbarkeit

1.5A

Betriebstemperatur

-40°C - +85°C

Betriebsspannung

125V AC

Prüfspannung

500V AC

Verpackung

Kunststoffbeutelverpackung

Insulator material

PBT, UL94V-0

Contact material

Phosphor bronze

Plating

Ni, Au / Sn

Contact resistance

20mΩ max

Insulation resistance

500MΩ min

Current rating

1.5A

Operating temperature

-40°C - +85°C

Operating voltage

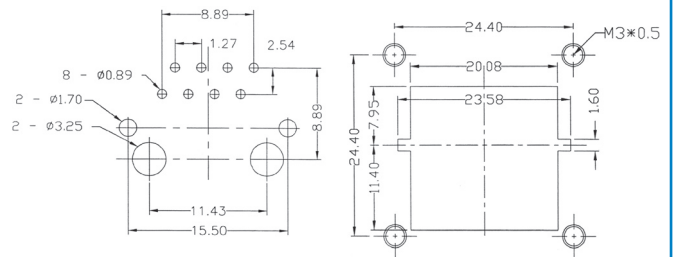
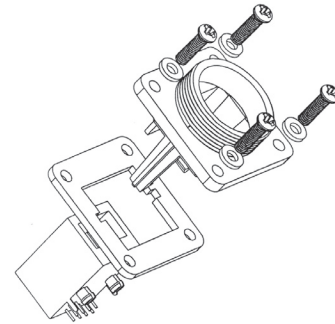
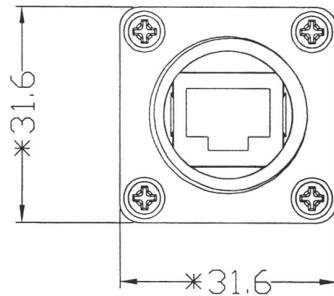
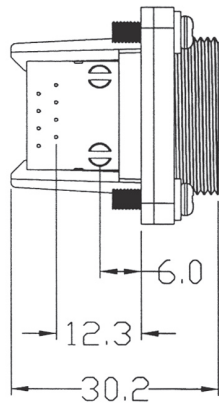
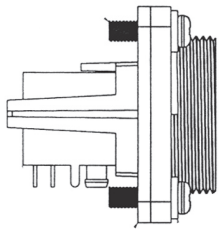
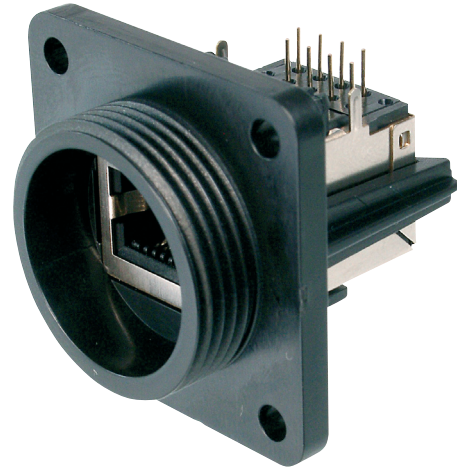
125V DC

Test voltage

500V AC

Packing

Polybag packing



Bestellcode / Ordercode

RJ45- 8polig

RJ45- 8-contacts (RJ45)

A - RJ45 DFR

Cable assemblies

D-Sub / Hoods Centronics

Multiflex - DIN41651

Modular

USB IEEE1394

Switches

Powercards Powerline

DIN41612 Hardmetric

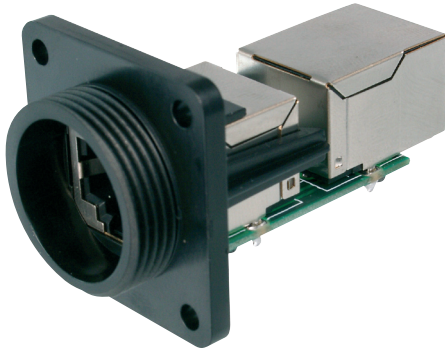
MiniDIN

Sockets / Strips Jumper

Terminal Blocks

Memory Card

FFC / FPC



Isolierkörpermaterial
PBT, UL94V-0

Kontaktmaterial
Phosphorbronze

Kontaktoberfläche
Ni, Au / Sn

Kontaktwiderstand
20mΩ max

Isolationswiderstand
500MΩ min

Strombelastbarkeit
1.5A

Betriebstemperatur
-40°C - +85°C

Betriebsspannung
125V AC

Prüfspannung
750V AC

Verpackung
Kunststoffbeutelverpackung

Insulator material
PBT, UL94V-0

Contact material
Phosphor bronze

Plating
Ni, Au / Sn

Contact resistance
20mΩ max

Insulation resistance
500MΩ min

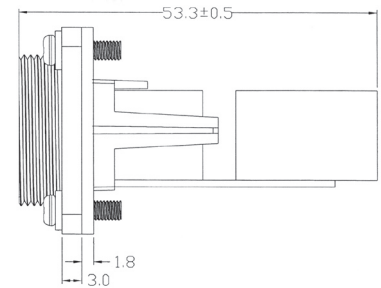
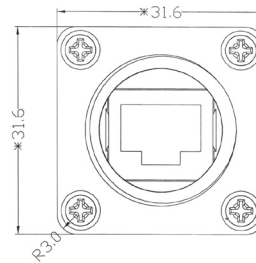
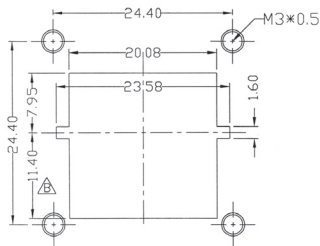
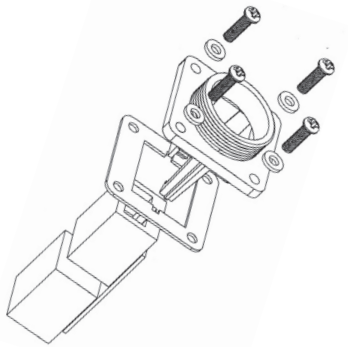
Current rating
1.5A

Operating temperature
-40°C - +85°C

Operating voltage
125V DC

Test voltage
750V AC

Packing
Polybag packing



Bestellcode / Ordercode

RJ45- 8polig

RJ45- 8-contacts

A - RJ45 GFS

Cable
assemblies

D-Sub / Hoods
Centronics

Multiflex -
DIN41651

Modular

USB
IEEE1394

Switches

Powercords
Powerlets

DIN41612
Hardmetric

MiniDIN

Sockets / Strips
Jumper

Terminal Blocks

Memory Card

FFC / FPC

Isolierkörpermaterial

PBT, UL94V-0

Kontaktmaterial

Phosphorbronze

Kontaktfläche

Ni, Au / Sn

Kontaktwiderstand

20mΩ max

Isolationswiderstand

500MΩ min

Strombelastbarkeit

1.5A

Betriebstemperatur

-40°C - +85°C

Betriebsspannung

125V AC

Prüfspannung

500V AC

Verpackung

Kunststoffbeutelverpackung

Insulator material

PBT, UL94V-0

Contact material

Phosphor bronze

Plating

Ni, Au / Sn

Contact resistance

20mΩ max

Insulation resistance

500MΩ min

Current rating

1.5A

Operating temperature

-40°C - +85°C

Operating voltage

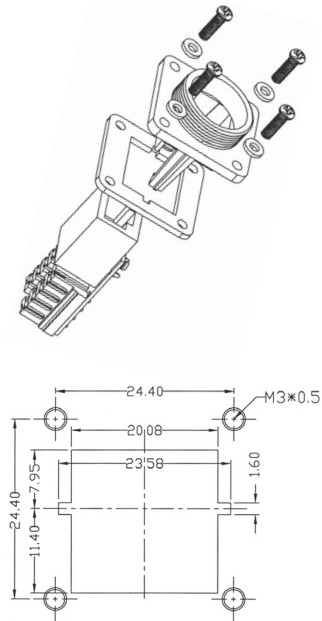
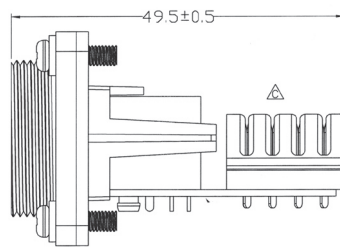
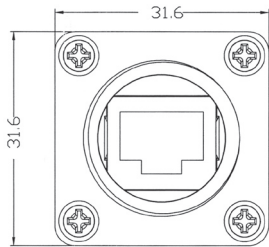
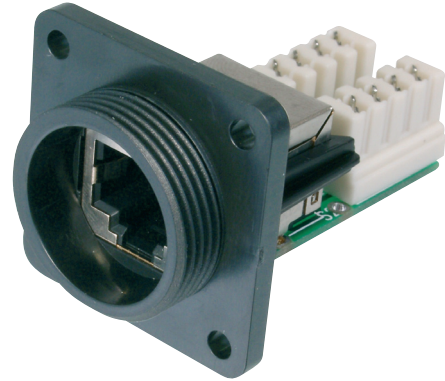
125V DC

Test voltage

500V AC

Packing

Polybag packing



Bestellcode / Ordercode

RJ45- 8polig

RJ45- 8-contacts (RJ45)

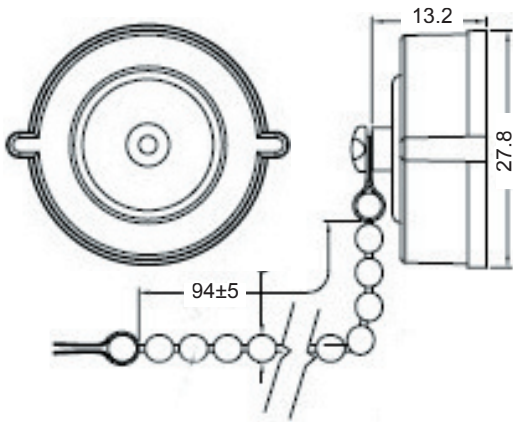
A - RJ45 KS

- Cable assemblies
- D-Sub / Hoods Centronics
- Multiflex - DIN41651
- Modular
- USB IEEE1394
- Switches
- Powercards Powerinlets
- DIN41612 Hardmetric
- MiniDIN
- Sockets / Strips Jumper
- Terminal Blocks
- Memory Card
- FFC / FPC

- Cable assemblies
- D-Sub / Hoods Centronics
- Multiflex - DIN41651
- Modular
- USB IEEE1394
- Switches
- Powercords Powerlets
- DIN41612 Hardmetric
- MiniDIN
- Sockets / Strips Jumper
- Terminal Blocks
- Memory Card
- FFC / FPC

Material
 ABS, UL94V-0

Material
 ABS, UL94V-0



Bestellcode / Ordercode

Ausführung

Version

1 - für RJ45, IP67

1 - for RJ45, IP67

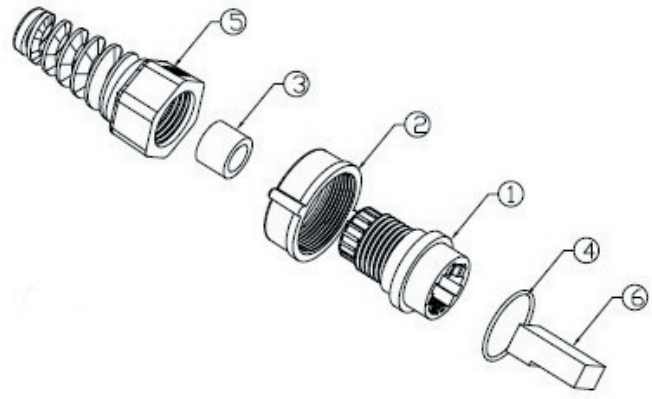
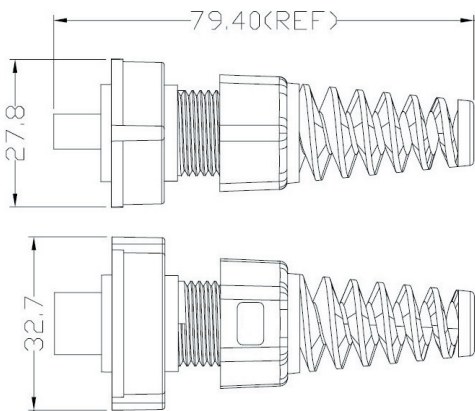
A - WP - COVER 1

Lieferumfang

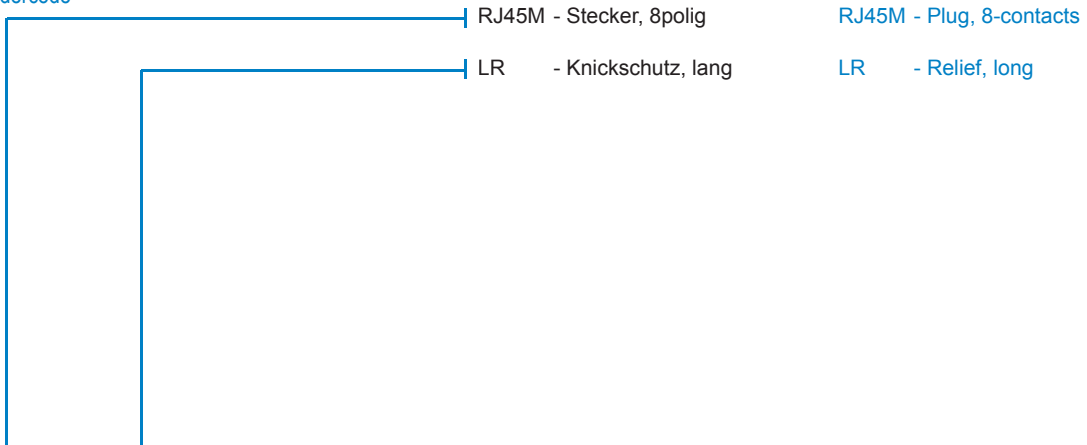
- 1 - Grundkörper
- 2 - Schraubverschluss
- 3 - Dichtung
- 4 - O-Ring
- 5 - Dicht-Mutter
- 6 - Modularstecker 8P8C, 6µ" Au

Delivery includes

- 1 - Main body
- 2 - Screw nut
- 3 - Seals
- 4 - O-Ring
- 5 - Sealing nut
- 6 - Modular plug 8P8C, 6µ" Au



Bestellcode / Ordercode



A - RJ45M - LR

- Cable assemblies
- D-Sub / Hoods Centronics
- Multiflex - DIN41651
- Modular
- USB IEEE1394
- Switches
- Powercords Powerinlets
- DIN41612 Hardmetric
- MiniDIN
- Sockets / Strips Jumper
- Terminal Blocks
- Memory Card
- FFC / FPC

Cable
assemblies

D-Sub / Hoods
Centronics

Multiflex -
DIN41651

Modular

USB
IEEE1394

Switches

Powercords
Powerlets

DIN41612
Hardmetric

MiniDIN

Sockets / Strips
Jumper

Terminal Blocks

Memory Card

FFC / FPC

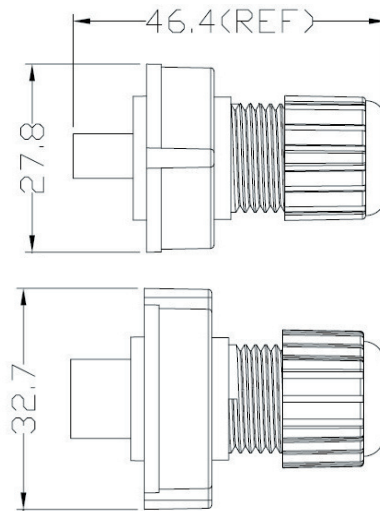
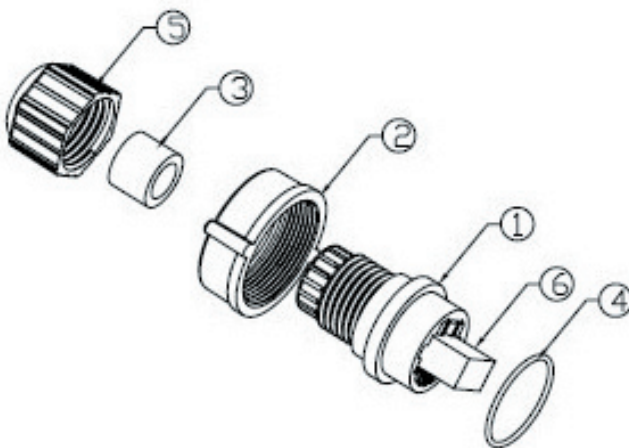


Lieferumfang

- 1 - Grundkörper
- 2 - Schraubverschluß
- 3 - Dichtung
- 4 - O-Ring
- 5 - Dicht-Mutter
- 6 - Modularstecker 8P8C,
6µ" Au

Delivery includes

- 1 - Main body
- 2 - Screw nut
- 3 - Seals
- 4 - O-Ring
- 5 - Sealing nut
- 6 - Modular plug 8P8C,
6µ" Au



Bestellcode / Ordercode

RJ45M - Stecker, 8polig

RJ45M - Plug, 8-contacts

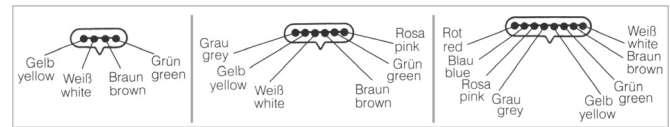
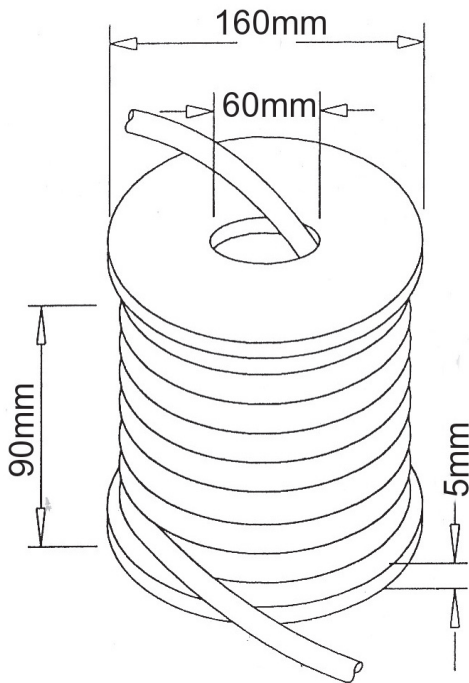
SR - Knickschutz, kurz

LR - Relief, short

A - RJ45M - SR

Innenleiter
 AWG 26, 7/0.16
Innenmantel
 PP
Außenmantel
 PVC, Schwarz

Conductor
 AWG 26, 7/0.16
Inner jacket
 PP
Outer jacket
 PVC, black



Bestellcode / Ordercode

Anzahl der Adern

- 01 - 4 adrig
- 02 - 6 adrig
- 03 - 8 adrig

No. of cores

- 01 - 4 wires
- 02 - 6 wires
- 03 - 8 wires

**Andere Länge per Rolle,
 Ausführungen und Farben
 auf Anfrage**

**Other length per reel,
 versions and colours
 on request**

AT - K 18 x 100M

Cable assemblies

D-Sub / Hoods
 Centronics

Multiflex -
 DIN41651

Modular

USB
 IEEE1394

Switches

Powercards
 Powernets

DIN41612
 Hardmetric

MiniDIN

Sockets / Strips
 Jumper

Terminal Blocks

Memory Card

FPC / FPC

Cable
assemblies

D-Sub / Hoods
Centronics

Multiflex -
DIN41651

Modular

USB
IEEE1394

Switches

Powercords
Powerlets

DIN41612
Hardmetric

MiniDIN

Sockets / Strips
Jumper

Terminal Blocks

Memory Card

FFC / FPC

Außer den auf den vorhergehenden Seiten gezeigten Standardtypen können wir Ihnen eine große Anzahl unterschiedlichster Versionen anbieten.

Als bedeutender Lieferant der Telekommunikationsindustrie können wir Ihre technischen Probleme durch kundenspezifische Produkte lösen.

Um Ihnen zu helfen, die richtige Type und Ausführung zu finden, nutzen Sie bitte den Bestellschlüssel auf Seite 125.

Bitte geben Sie bei Ihrer Anfrage möglichst alle Optionen und eine Stückzahl an, damit Sie ein umfassendes und promptes Angebot zu Ihrem Wunschtypen erhalten.

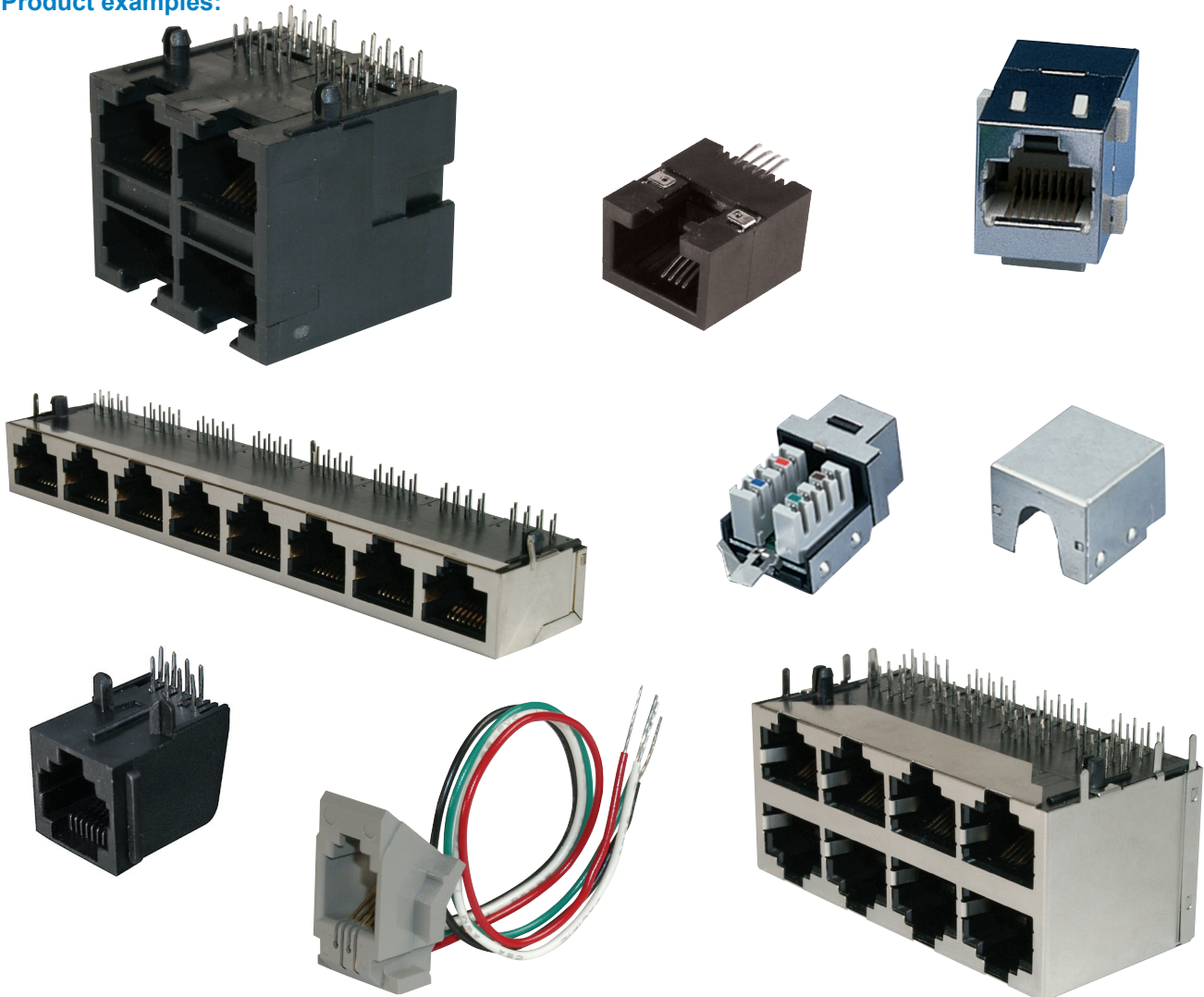
In addition to the standard types shown on the previous pages we can offer a large number of different versions.

Being an important supplier to the telecommunication industry we can solve your technical problems through a custom designed product solution.

In order to help you to find the right type and design, please use the ordercode on page 125.

Please mention in your inquiry as much as possible incl. quantity and you will receive a complete and prompt quotation according to the requested type.

Produktbeispiele:
Product examples:



Type

Stacked  Line 

No. of Ports / Line

1 2 3 4 5 6 8

Positions per Port

4 6 8 10

Loaded Contacts

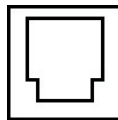
2 4 6 8 10

Plug direction

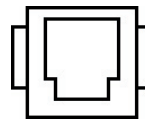
side entry (90°) top entry (180°) bottom entry (-180°) 45°

Panel stop

without flange



with flange



Shielding

no shielding shielded partial shielded

PCB Mounting

Dip solder SMT

Gold plating

6µ" 15µ" 30µ" 50µ"

Version

Normal Invers (Top Latch) DEC (asymmetric Latch)

LED

Green-Green Green-Yellow Yellow-Green

Height

>12mm <12mm 11-14mm

Length

>17mm <17mm 13-21mm

Cable assemblies

D-Sub / Hoods Centronics

Multiflex - DIN41651

Modular

USB IEEE1394

Switches

Powercords Powerinlets

DIN41612 Hardmetric

MiniDIN

Sockets / Strips Jumper

Terminal Blocks

Memory Card

FFC / FPC

Neben Standardkabeln fertigen wir Kabelkonfektionen speziell nach Kundenspezifikation.

Ein äußerst flexibles und kostengünstiges System von automatischer und manueller Fertigung bietet Ihnen

- wettbewerbsfähige Preise
- hohe Qualität mit 100% elektrischer Prüfung und Zertifizierung auf Wunsch
- Bedruckung von Kabel und Steckern

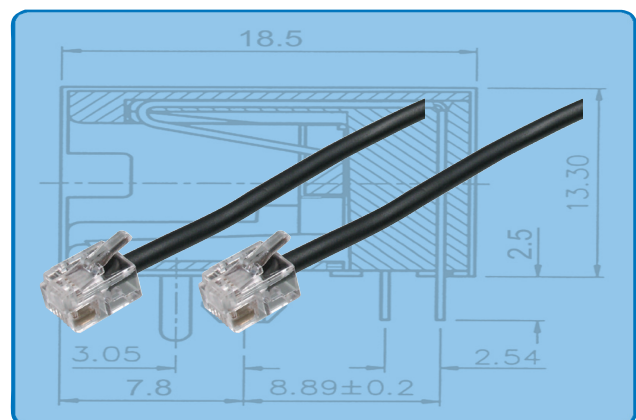
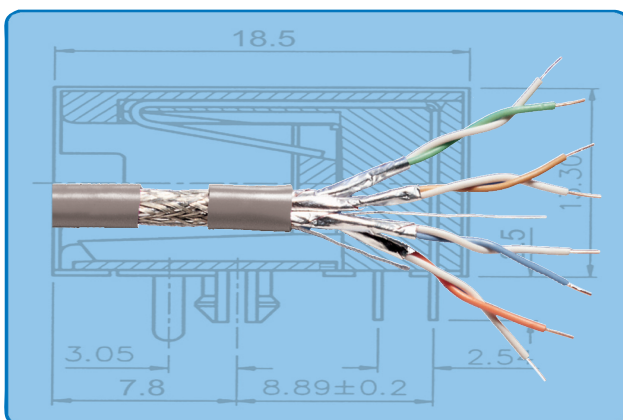
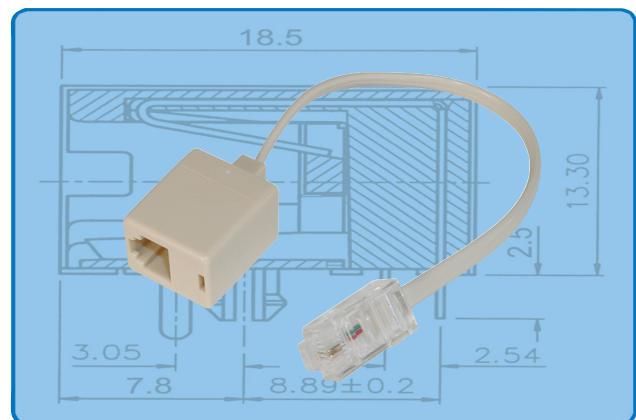
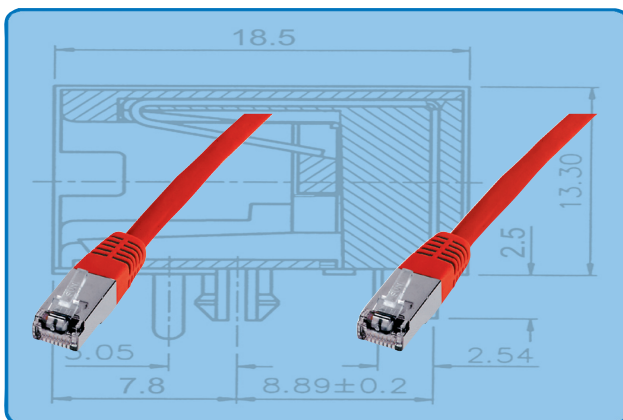
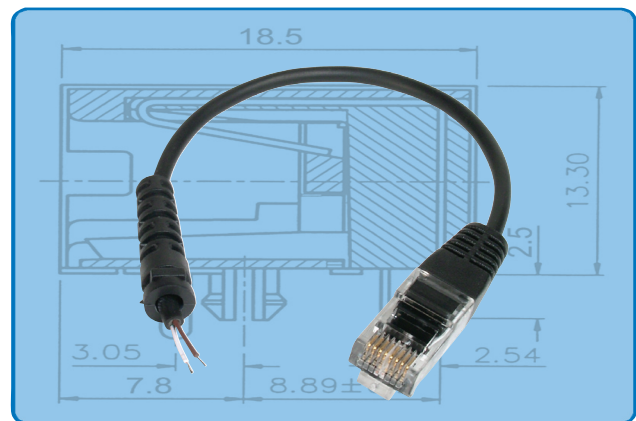
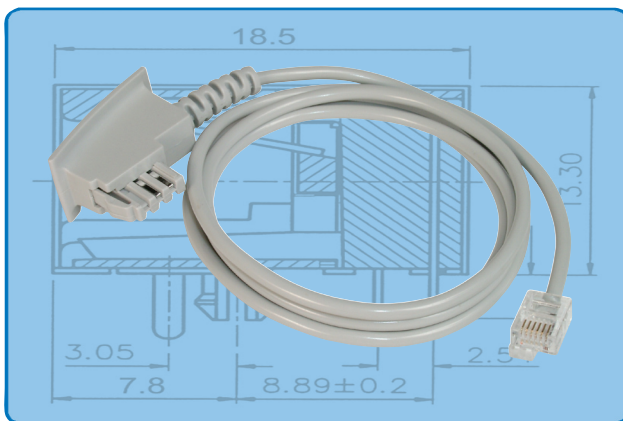
Senden Sie uns Ihre Anfrage.

Apart from standard cables, special cables can be assembled according to customers specification.

An extremely flexible and cost-effective system of automatic and manual production offers you

- competitive pricing
- high quality with 100% electrical testing and certification on request
- printing on cables and connectors

Please send your enquiry



1st side : Number of Poles : _____

Number of Contacts : _____

Assembly without Boot

Assembly with Boot



Molded

Molded + Shielded

Socket



Cable : round

flat

total length : _____

black

grey

white

other (RAL) : _____

2nd side : Same as 1st Side

Number of Poles : _____

Number of Contacts : _____

Assembly without Boot

Assembly with Boot



Molded

Molded + Shielded

Socket



when open end : length of coat stripped: _____

length of wire stripped: _____

end semi stripped

tinned

Connection : 1:1 other : _____

strain relief : No standard
 special (customer drawing requested)

special printing / label / flag : No yes, see detailed description attached

special winding / packing : No yes, see detailed description attached

Cable assemblies

D-Sub / Hoods Centronics

Multiflex - DIN41651

Modular

USB IEEE1394

Switches

Powercords Powerinlets

DIN41612 Hardmetric

MiniDIN

Sockets / Strips Jumper

Terminal Blocks

Memory Card

FFC / FPC