

(Scale: 2 : 1)

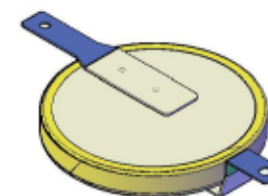
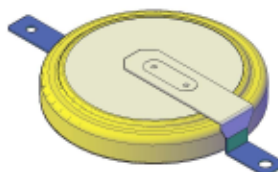
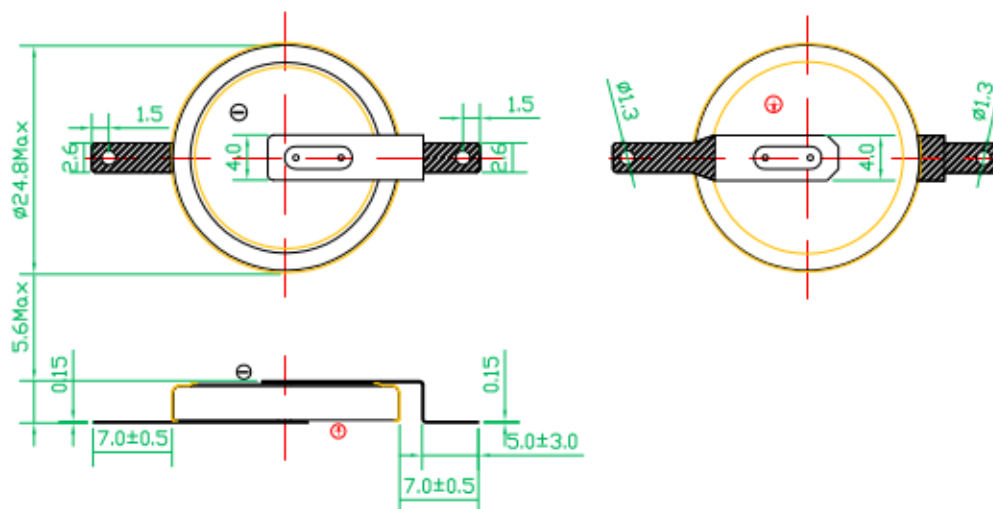
Cathode tab
(负极焊片)

Yellow(黄色)
PVC

Cell(电芯):CR2450L
580mAh

Positive terminal
(正极焊片)

Tin plating
(镀锡)



Remark(备注):

1. Cell(电芯): Button, Yellow PVC, with date code(扣式, 包黄色 PVC, 表面喷码)
2. Positive /Negative terminal : Stainless steel plated with tin.
正/负极焊片材质: 不锈钢镀锡
3. RoHS Compliant
严格按照ROHS要求生产

GEM3[®]
EEMB BATTERY

Drawn: Summer Revise No.: E4-2009

Group: Group16 Projection:

Approved1: Page: 1/1

Approved2: Scale: 1.5: 1

Title CR2450L
File NO. A20863
Draw Date: 2020/11/02
Unit: mm