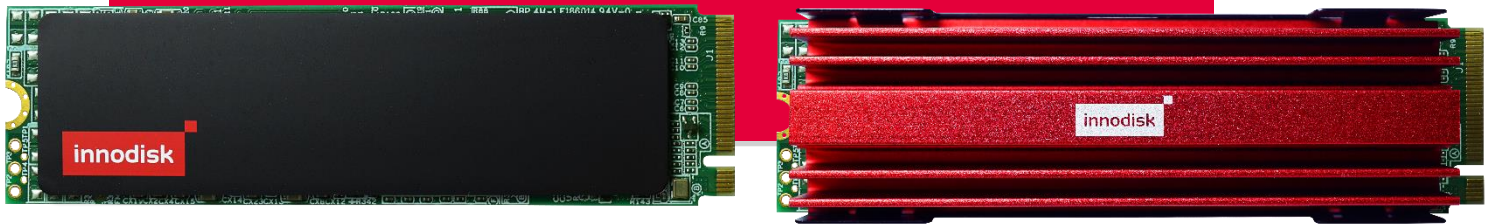


Datasheet

M.2 (P80) 3TG6-P series

- PCIe Gen. III x4, NVMe 1.3
- Excellent data transfer speed
- Stable sustained performance
- Heat-spreading design
- LDPC ECC engine supported.



Introduction

Innodisk M.2 (P80) 3TG6-P is an NVM Express SSD designed as the standard M.2 form factor with PCIe interface and 3D TLC NAND Flash. M.2 (P80)3TG6-P supports PCIe Gen III x4, and it is compliant with NVMe 1.3 providing excellent performance. M.2 (P80) 3TG6-P with heat-spreading design dissipate heat generating from IC making SSD perform more steady. M.2 (P80) 3TG6-P have Die RAID protection to reduce bad blocks happening and optimize data integrity.

Innodisk M.2 (P80) 3TG6-P provides ultra-speed and high IOPS and offers maximum capacity up to 2TB, making the SSD optimal for server and heavy data workload applications.

M.2 (P80) 3TG6-P series

Contact us for more information
about the M2 (P80) 3TG6-P.

Innodisk is a service-driven provider of industrial embedded flash and DRAM storage products and technologies, with a focus on the cloud computing, industrial/embedded, and aerospace and defense industries.

Headquarters (Taiwan)

5F., No. 237, Sec. 1, Datong Rd., Xizhi
Dist., New Taipei City 221, Taiwan
Tel: +886-2-7703-3000
Email: sales@innodisk.com

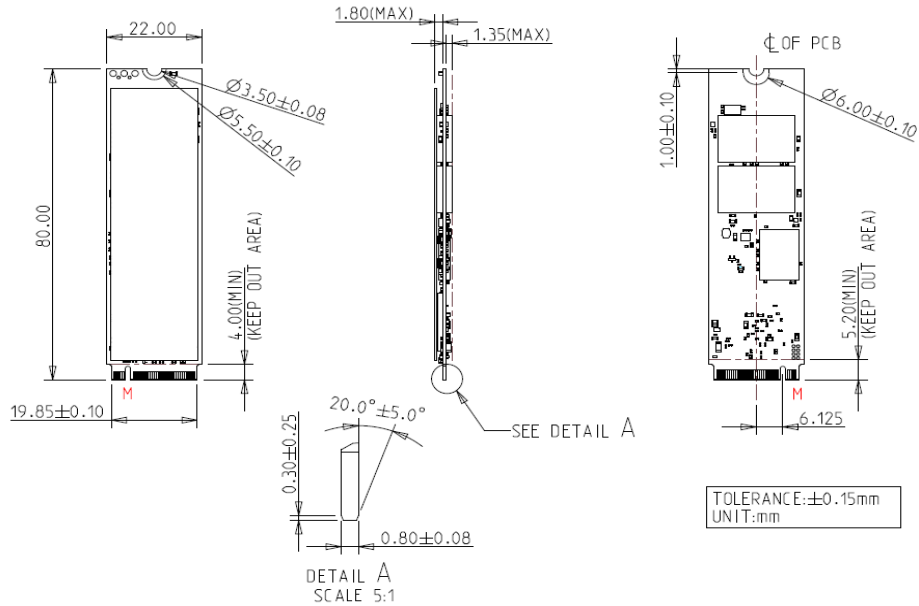
Branch Offices:

USA
usasales@innodisk.com
+1-510-770-9421
Europe
eusales@innodisk.com
+31-40-3045-400
Japan
jpsales@innodisk.com
+81-3-6667-0161
China
sales_cn@innodisk.com
+86-755-21673689
www.innodisk.com

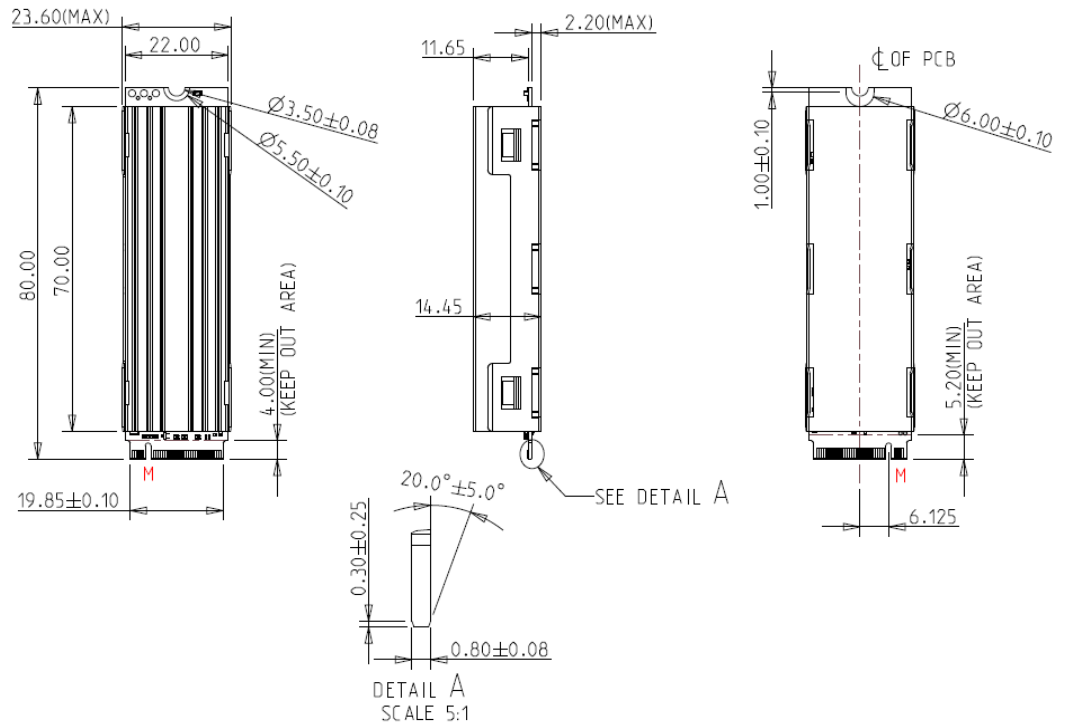
© 2021 Innodisk Corporation.
All right reserved. Specifications are
subject to change without
prior notice.

20210526

Diagram(ST)



Diagram(WT)



M.2 (P80)

3TG6-P series

Diagram(ST)

Contact us for more information about the M2 (P80) 3TG6-P.

Innodisk is a service-driven provider of industrial embedded flash and DRAM storage products and technologies, with a focus on the cloud computing, industrial/embedded, and aerospace and defense industries.

Headquarters (Taiwan)

5F., No. 237, Sec. 1, Datong Rd., Xizhi Dist., New Taipei City 221, Taiwan
Tel: +886-2-7703-3000
Email: sales@innodisk.com

Branch Offices:

USA
usasales@innodisk.com
+1-510-770-9421

Europe
eusales@innodisk.com
+31-40-3045-400

Japan
jpsales@innodisk.com
+81-3-6667-0161

China
sales_cn@innodisk.com
+86-755-21673689

www.innodisk.com

© 2021 Innodisk Corporation.
All right reserved. Specifications are subject to change without prior notice.

20210526

Interface	PCIe Gen. III x4
Flash Type	3D TLC
P/E cycle	3,000
Capacity	64GB~2TB
Max. Channels	8
Sequential R/W (MB/sec, max.)	3,500/2,600
Max. Power Consumption	6.0W
Thermal Sensor	√
External DRAM buffer	√
H/W Write Protect	NA
Dimension (WxLxH)	ST with heat-spreading copper layer: 22.0 X 80.0 X 3.95 mm WT with heatsink: 23.6 X 80.0 X 14.45 mm (Pure M.2: 22.0 X 80.0 X 3.5 mm)
Environment	Vibration: 20G @ 7~2000Hz Shock: 1500G @ 0.5ms Storage Temperature: -40°C ~ +85°C MTBF: 3 million hours

Ordering Information

Operation Temp.	64GB	128GB	256GB	512GB	1TB	2TB
Standard Grade (0°C ~ +70°C)	DGM28-64GDC1ECADF	DGM28-A28DC1#CA%F	DGM28-B56DC1#CA%F	DGM28-C12DC1#CAEF	DGM28-01TDC1#CAEF	DGM28-02TDC1GCAEF
Industrial Grade (-40°C ~ +85°C)	DGM28-64GDC1EWADF (H)	DGM28-A28DC1EWAQF (H)	DGM28-B56DC1EWAEF (H)	DGM28-C12DC1EWAEF (H)	DGM28-01TDC1EWAEF (H)	NA

%: D: Dual channel / Q: four channel / E: eight channel

#: E: 64 layers 3D TLC / G: 96 layers 3D TLC

(For the heatsink accessory demand, please place the order by PN: DGM28-xxxDC1xxAxFH)