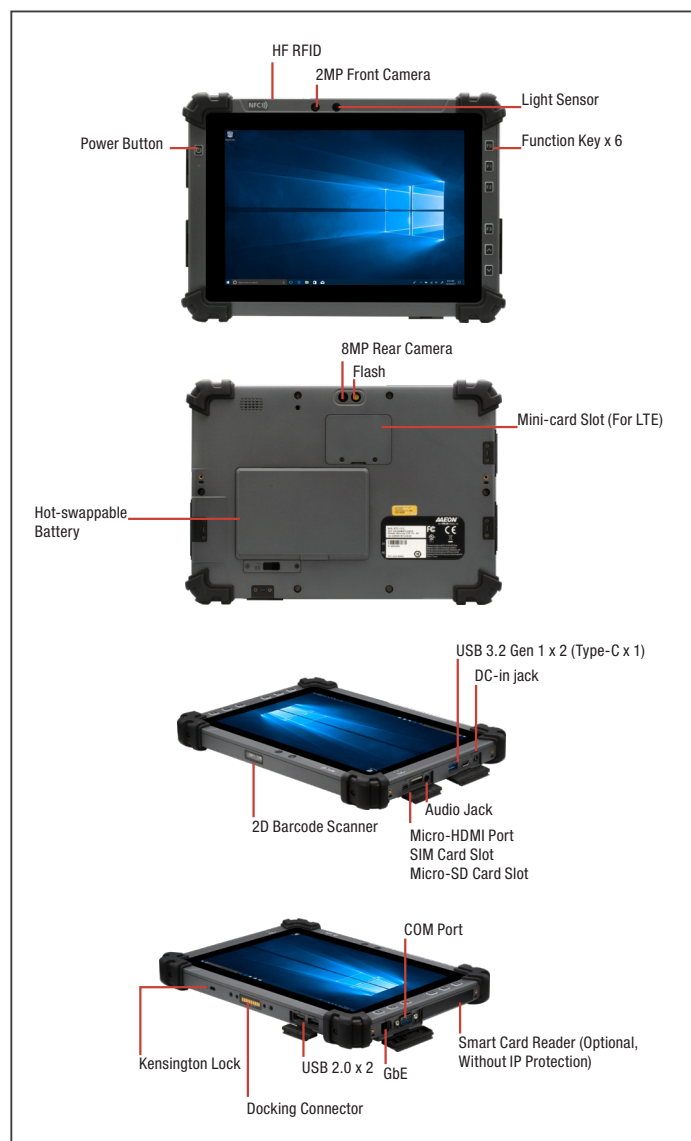


# RTC-1010

10.1" Rugged Tablet Features Intel N3350 / N4200 Processor With Windows® 10



## Specifications

| System Architecture |  |
|---------------------|--|
| Processor           | Intel® Celeron™ N3350 1.1GHz Dual core up to 2.4GHz<br>Intel® Pentium™ N4200 1.1GHz Quad core up to 2.5GHz   |
| Operating System    | Windows® 10 IOT Enterprise SAC   |
| Memory              | Onboard DDR3L 4GB (Default) / 8GB  |
| Storage             | eMMC 64GB (Up to 256GB, Optional)  |
| Display             | 10.1" WXGA (1280x800) 800-nit / 300-nit TFT LCD<br>With Projected Capacitive Multi-Touch Screen  |
| I/O Port            | Micro-HDMI port x 1<br>SIM card slot x 1<br>Micro-SD card slot x 1<br>Audio jack x 1 (3.5mm)<br>USB 3.2 Gen 1 x 2 (USB Type-C x 1), USB 2.0 x 2<br>DC-in jack x 1<br>RS-232/422/485 COM Port x 1<br>10/100/1000 Base-T RJ45 x 1<br>Smart card reader x 1 (Optional, Without IP protection) |
| Communication       | Wi-Fi 802.11 b/g/n, Bluetooth v5.1 (EDR + BLE), Intel AC9260   |
| Navigation          | Up to 3 GNSS, GPS + Galileo (Default), GLONASS, BeiDou (Optional)  |
| WWAN(optional)      | LTE via mini-card slot (Optional)  |
| Camera              | 2MP front camera<br>8MP rear camera with flash   |
| Sensor              | G-sensor, E-compass, Gyro-sensor, Light-sensor   |
| Expansion Slot      | Inside M.2 slot x 1 (For WiFi module)<br>Mini-card slot x 1 (For LTE module)<br>Docking connector: USB 2.0 x 1   |

## Features

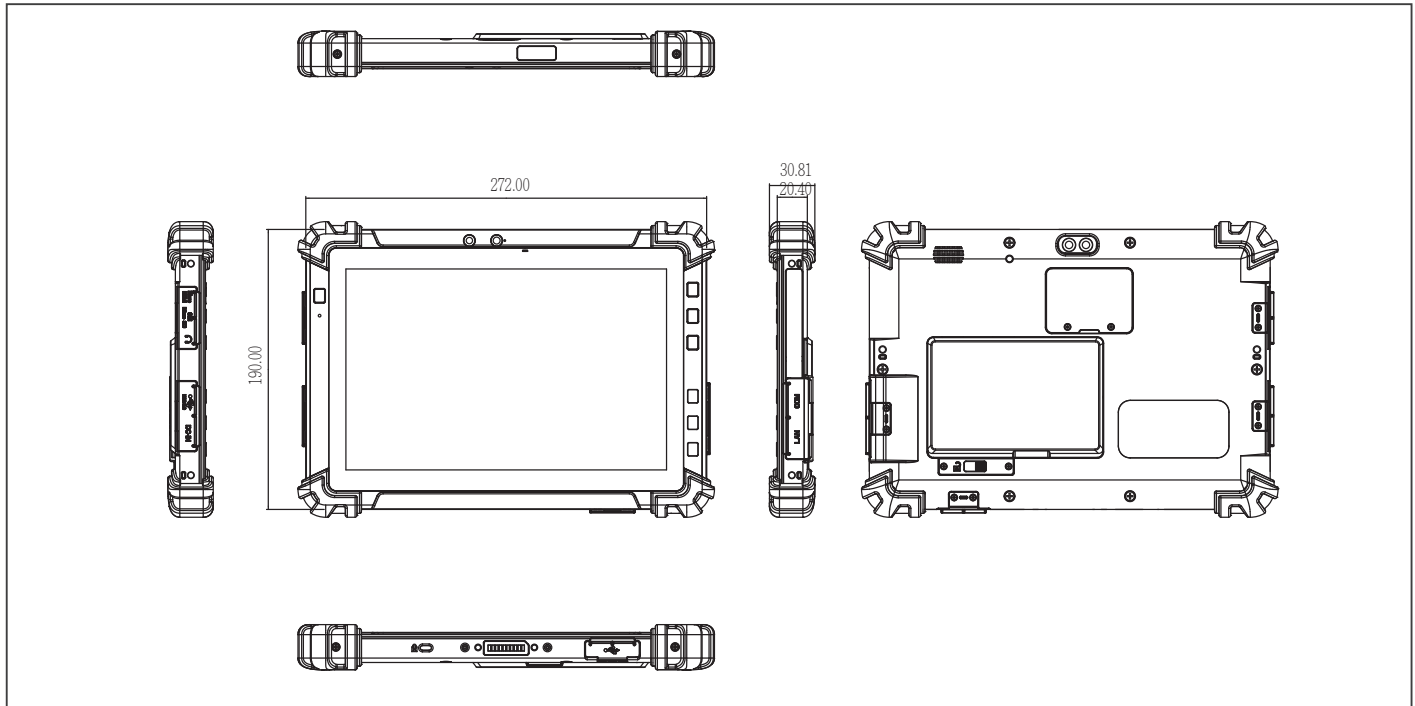
- 10.1" WXGA (1280 x 800) 800-nit / 300-nit TFT LCD
- Intel® Celeron™ N3350 1.1GHz Dual Core Up to 2.4GHz (N4200 Optional)
- Onboard DDR3L Memory, 4GB (Default) / 8GB
- eMMC 64GB (Up to 256GB, Optional)
- WiFi 802.11b/g/n, Bluetooth 5.1, LTE (Optional)
- 2MP Front and 8MP Rear Camera
- RS-232/422/485 COM Port + 10/100/1000 Base-T RJ45
- USB 3.2 Gen 1 x 2 (USB Type-C x 1), USB 2.0 x 2
- 2D Barcode Scanner & Smart Card Reader / HF RFID (NFC) Reader (Optional)
- Up to 3 GNSS, GPS + Galileo (Default), GLONASS, BeiDou (Optional)
- One Hot-swappable Battery + Internal Battery, Up to 44W Battery Capacity
- MIL-STD-810G, IP65 Compliant, Drop 122cm
- Programmable Function Key: F0, F1, F2, F3, Volume Up/Down, With LED Illumination
- Windows® 10 IOT



|                              |  |
|------------------------------|--|
| Barcode Scanner (Optional)   | 2D Barcode scanner, OPTICON MDI-4100-USB (Optional)  |
| HF RFID (Optional)           | ISO 15693 (R/W), ISO 18092 (R/W), ISO 14443-A (R/W), ISO 14443-B (Only Read UID), Depend on card type  |
| Audio                        | Speaker x 1  |
| Physical Key                 | F0 or Windows (Windows Start Key), F1 (BCR Trigger Button (When BCR is enabled)), F2 (Screenprint), F3 (Ctrl+Alt+Del as Soft Reboot), Volume Up (Speaker Volume Up), Volume Down (Speaker Volume Down) |
| <b>Mechanical</b>            |  |
| Color                        | Black & Dark Grey  |
| Dimension (W x H x D)        | 10.71" x 7.48" x 0.80" (272.0 x 190.0 x 20.4 mm)   |
| Gross Weight                 | 1.0 Kg (2.2 lb) based on configurations  |
| <b>Environmental</b>         |  |
| Operating Temperature        | -4°F ~ 122°F (-20°C ~ 50°C)  |
| Storage Temperature          | -67°F ~ 158°F (-55°C ~ 70°C)   |
| Humidity                     | 0% ~ 90% relative humidity, non-condensing   |
| Environmental Sealing        | IP65   |
| Vibration                    | MIL-STD-810G-514.6 Procedure I Cat.24, Fig 514.6E-1 & 514.6E-2 (Unit is non-operating)<br>ASTM 4169-99 Truck Assurance Level II, Schedule E (Unit is non-operating)                                    |
| Drop                         | MIL-STD-810G-516.6, Procedure IV<br>Drop height: 122 cm<br>Number of Drop: 26 times, for all surfaces, edges and corners<br>Condition: Based on 2" plywood over concrete                               |
| Shock                        | —  |
| ESD                          | Air charge: +/- 8KV, Contact charge: +/- 4KV   |
| Certifications and Standards | UL60950-1, CE, FCC   |
| <b>Power Supply</b>          |  |
| AC / DC Adapter              | AC 100 ~ 240 V, 50 ~ 60 Hz, Output: 12V/ 3A/ 36W   |
| Battery Life                 | Li-ion Battery 8-hour battery life based on test configurations  |
| Master Battery               | Hot-swappable battery: 14.4V, 2270mAh, 32.7W   |
| Slave Battery                | 7.4V, 1530mAh, 11.3W   |
| <b>Display</b>               |  |
| LCD                          | 10.1" TFT-LCD Display  |
| Resolution                   | 1280 x 800   |
| Maximum Color                | 16.7M  |
| Dot Size                     | 0.1692 (H) x 0.1692 (V) mm   |
| Brightness                   | 300 nits (800 nits, Optional)  |
| Viewing Angle                | Horizontal: 170°, Vertical: 170° (Typical)   |
| <b>Touch Screen</b>          |  |
| Touch Type                   | Projected Capacitive Multi-Touch Screen (PCT)  |
| Light Transmission           | Min. 85%   |

## Dimension

Unit: mm



## Packing List

- **RTC-1010**
- **1255300365**  
AC-To-DC Power Adaptor, 12V, 36W

\*Power cord must be purchased separately.

## Optional Accessories

- **RDS-411-000**  
Docking Station, W/O Stand
- **RDS-411-001**  
Docking Station, W/ Stand
- **RBC-1200-000**  
4-bay Battery Charger
- **RTC-1010-HS-000**  
Hand Strap
- **RTC-1010-SB-000**  
Shoulder Belt, 2 Points
- **RTC-1200BAT01-000**  
Battery Pack, 14.4V, 2270mAh , 2 pcs/Box
- **1255900363**  
DC-To-DC Power Adaptor, Flying Wires
- **1255900364**  
DC-To-DC Power Adaptor, Cigarette Plug

## Ordering Information

| Part Number     | CPU   | OS             | LCD Display    | Touch Screen  | System Memory | Storage   | Expansion I/O  | Sensor   | WiFi/Bluetooth         | Navigation              | LTE Bands (MHz) | Camera                            | 2D Barcode Scanner | NFC | Battery       | Power |
|-----------------|-------|----------------|----------------|---------------|---------------|-----------|--|--|------------------------|-------------------------|-----------------|-----------------------------------|--------------------|-----|---------------|-------|
| RTC-1010-R2004  | N3350 | Windows 10 IOT | 10.1" 300 nits | PCT 10 points | DDR3L 4GB     | eMMC 64GB | Micro-HDMI port x 1, SIM card slot x 1, Micro-SD card slot x 1, Audio jack x 1, USB 3.0 x 2 (USB Type-C x 1), USB 2.0 x 2 DC-in jack x 1   | G-sensor<br>E-compass<br>Gyro-sensor<br>Light-sensor"  | 802.11 b/g/n + BT5.1   | N/A                     | N/A             | Front: 2MP<br>Rear: 8MP w/Flash"  | N/A                | N/A | 32.7W         | DC12V |
| RTC-1010-R2005  | N3350 | Windows 10 IOT | 10.1" 300 nits | PCT 10 points | DDR3L 4GB     | eMMC 64GB | Micro-HDMI port x 1, SIM card slot x 1, Micro-SD card slot x 1, Audio jack x 1, USB 3.0 x 2 (USB Type-C x 1), USB 2.0 x 2 DC-in jack x 1, RS-232/422/485 COM Port x 1, 10/100/1000 Base-T RJ45 x 1 | "G-sensor<br>E-compass<br>Gyro-sensor<br>Light-sensor" | 802.11 b/g/n + BT5.1   | GPS / Galileo / GLONASS | N/A             | "Front: 2MP<br>Rear: 8MP w/Flash" | N/A                | N/A | 32.7W + 11.3W | DC12V |
| RTC-1010-R2001  | N3350 | Windows 10 IOT | 10.1" 300 nits | PCT 10 points | DDR3L 4GB     | eMMC 64GB | Micro-HDMI port x 1, SIM card slot x 1, Micro-SD card slot x 1, Audio jack x 1, USB 3.0 x 2 (USB Type-C x 1), USB 2.0 x 2 DC-in jack x 1, RS-232/422/485 COM Port x 1, 10/100/1000 Base-T RJ45 x 1 | G-sensor<br>E-compass<br>Gyro-sensor<br>Light-sensor"  | 802.11 b/g/n + BT5.1   | GPS / Galileo / GLONASS | N/A             | "Front: 2MP<br>Rear: 8MP w/Flash" | Yes                | Yes | 32.7W + 11.3W | DC12V |
| RTC-1010-R2003  | N4200 | Windows 10 IOT | 10.1" 300 nits | PCT 10 points | DDR3L 4GB     | eMMC 64GB | Micro-HDMI port x 1, SIM card slot x 1, Micro-SD card slot x 1, Audio jack x 1, USB 3.0 x 2 (USB Type-C x 1), USB 2.0 x 2 DC-in jack x 1, RS-232/422/485 COM Port x 1, 10/100/1000 Base-T RJ45 x 1 | G-sensor<br>E-compass<br>Gyro-sensor<br>Light-sensor"  | 802.11 b/g/n + BT5.1   | GPS / Galileo / GLONASS | N/A             | "Front: 2MP<br>Rear: 8MP w/Flash" | Yes                | Yes | 32.7W + 11.3W | DC12V |
| RTC-1010-RH2005 | N3350 | Windows 10 IOT | 10.1" 800 nits | PCT 10 points | DDR3L 4GB     | eMMC 64GB | Micro-HDMI port x 1, SIM card slot x 1, Micro-SD card slot x 1, Audio jack x 1, USB 3.0 x 2 (USB Type-C x 1), USB 2.0 x 2 DC-in jack x 1, RS-232/422/485 COM Port x 1, 10/100/1000 Base-T RJ45 x 1 | G-sensor<br>E-compass<br>Gyro-sensor<br>Light-sensor"  | "802.11 b/g/n + BT5.1" | GPS / Galileo / GLONASS | N/A             | "Front: 2MP<br>Rear: 8MP w/Flash" | N/A                | N/A | 32.7W + 11.3W | DC12V |
| RTC-1010-RH2003 | N4200 | Windows 10 IOT | 10.1" 800 nits | PCT 10 points | DDR3L 4GB     | eMMC 64GB | Micro-HDMI port x 1, SIM card slot x 1, Micro-SD card slot x 1, Audio jack x 1, USB 3.0 x 2 (USB Type-C x 1), USB 2.0 x 2 DC-in jack x 1, RS-232/422/485 COM Port x 1, 10/100/1000 Base-T RJ45 x 1 | G-sensor<br>E-compass<br>Gyro-sensor<br>Light-sensor"  | 802.11 b/g/n + BT5.1   | GPS / Galileo / GLONASS | N/A             | "Front: 2MP<br>Rear: 8MP w/Flash" | Yes                | Yes | 32.7W + 11.3W | DC12V |