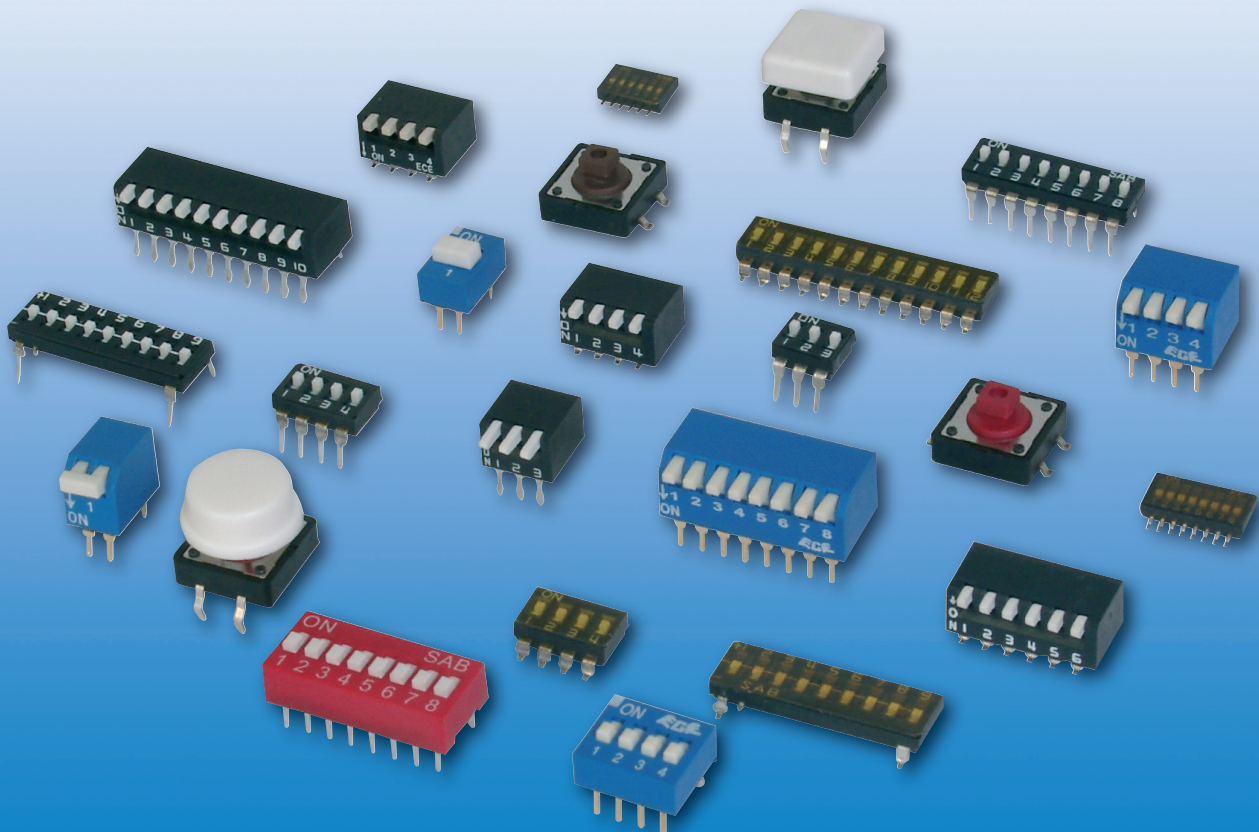


ASSMANN WSW components bietet ein reichhaltiges Sortiment an Standard-Schaltern in der Piano- und IC-Bauform an. Schalter stellen eine kleine Baugruppe dar, die es erlaubt eine elektrisch leitende Verbindung herzustellen oder zu trennen. Gängig sind hierbei die THT- und SMD -Ausführungen im Raster 2.54mm. Polzahlen liegen zwischen 02- und 12polig. Der Miniatursierung wird durch eine Serie von SMD -Schaltern im Raster 1.27mm Rechnung getragen. SMD Schalter werden in der automatenverarbeitbaren Tape und Reel - Verpackung angeboten.

ASSMANN WSW components bietet weiter die Möglichkeit Sonderausführungen in Farbe und Bestückung zu beziehen. Auch Taster in den Bauformen von 12 x 12mm und 6 x 6mm, mit unterschiedlichsten Betätigungskräften und Bauhöhen werden von ASSMANN WSW components angeboten.

ASSMANN WSW components offers a full range of standard switches based on the 'Piano' and 'IC' style. Switches work like a small module, which allows the user to make or cancel an electrical connection. Commonly used are THT- and SMD-contact styles based on a 2,54mm pitch. Available number of contacts are between 02- and 12-contacts. The trend of miniaturization has been followed by a new series of SMD switches based on 1.27mm pitch. These SMT switches are available in tape and reel packaging for automatic pick and place.

Furthermore, ASSMANN WSW components offers special designs in colour and contact loading. Also tact switches in the size of 12 x 12mm and 6 x 6mm, with different actuating forces and overall heights are offered by ASSMANN WSW components.



Cable
assemblies

D-Sub / Hoods
Centronics

Multiflex -
DIN41651

Modular

USB
IEEE1394

Switches

Powercords
Powerlets

DIN41612
Hardmetric

MiniDIN

Sockets / Strips
Jumper

Terminal Blocks

Memory Card

FFC / FPC

Produktbeschreibung

Seite

| | |
|---|-----|
| Schiebeschalter, Piano-Bauform, DIP | 164 |
| Schiebeschalter, Piano-Bauform, SMD | 165 |
| Schiebeschalter, hohe Bauform, DIP | 166 |
| Schiebeschalter, flache Bauform, DIP | 167 |
| Schiebeschalter, flache Bauform, SMD | 168 |
| Schiebeschalter, halbes Raster, SMD | 170 |
| Schiebeschalter, TRI-STATE, DIP | 172 |
| Taster, 12mm x 12mm, H=7.30mm, DIP | 173 |
| Taster, 12mm x 12mm, H=7.30mm, SMD | 174 |
| Zubehör, Kappen für Taster, 12mm x 12mm | 175 |

Product description

page

| | |
|--|-----|
| DIP-switches, piano style, DIP | 164 |
| DIP-switches, piano style, SMD | 165 |
| DIP-switches, high profile, DIP | 166 |
| DIP-switches, low profile, DIP | 167 |
| DIP-switches, low profile, SMD | 168 |
| DIP-switches, half pitch, SMD | 170 |
| DIP-switches, TRI-STATE, DIP | 172 |
| Tact switches, 12mm x 12mm, H=7.30mm, DIP | 173 |
| Tact switches, 12mm x 12mm, H=7.30mm, SMD | 174 |
| Accessories, caps for tact switches, 12mm x 12mm | 175 |



Cable assemblies

D-Sub / Hoods Centronics

Multiflex - DIN41651

Modular

USB IEEE1394

Switches

Powercards Powerinlets

DIN41612 Hardmetric

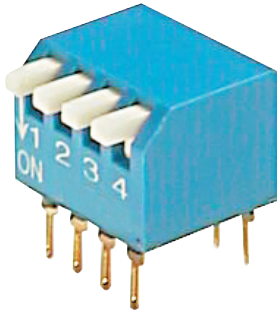
MiniDIN

Sockets / Strips Jumper

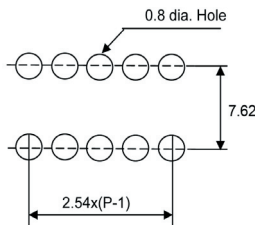
Terminal Blocks

Memory Card

FFC / FPC



| Dimensions | |
|-----------------|------|
| No. of contacts | A |
| 2 | 6.7 |
| 3 | 9.2 |
| 4 | 11.7 |
| 5 | 14.2 |
| 6 | 16.7 |
| 7 | 19.2 |
| 8 | 21.7 |
| 10 | 26.7 |



Isolierkörpermaterial
PBT, UL94V-0

Kontaktmaterial
Phosphorbronze

Kontaktoberfläche
Ni, Au

Kontaktwiderstand
100mΩ max

Isolationswiderstand
1000MΩ min

Strombelastbarkeit
Schaltend
25mA
In Ruhe
100mA

Betriebstemperatur
-25°C - +70°C

Betriebsspannung
24V DC

Prüfspannung
500V AC

Schiebekraft
800g max

Verpackung
Stangenverpackung

Insulator material
PBT, UL94V-0

Contact material
Phosphor bronze

Plating
Ni, Au

Contact resistance
100mΩ max

Insulation resistance
1000MΩ min

Current rating
Switching
25mA
Non-switching
100mA

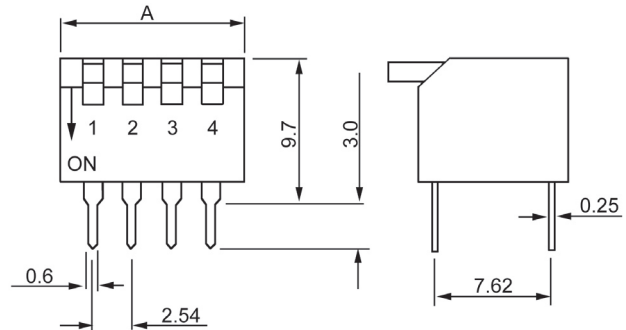
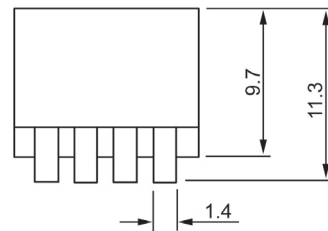
Operating temperature
-25°C - +70°C

Operating voltage
24V DC

Test voltage
500V AC

Operating force
800g max

Packing
Tube packing



Bestellcode / Ordercode

Polzahl
02 / 03 / 04* / 05 / 06* /
07 / 08* / 10*

No. of contacts
02 / 03 / 04* / 05 / 06* /
07 / 08* / 10*

AD - EPG 1 xx A

Bitte „x“ durch die geeignete Option ersetzen
Please replace „x“ with appropriate option

* Standard

Isolierkörpermaterial

PBT, UL94V-0

Kontaktmaterial

Phosphorbronze

Kontaktfläche

Ni, Au

Kontaktwiderstand

100mΩ max

Isolationswiderstand

1000MΩ min

Strombelastbarkeit

Schaltend

25mA

In Ruhe

100mA

Betriebstemperatur

-25°C - +70°C

Betriebsspannung

24V DC

Prüfspannung

500V AC

Schiebekraft

800g max

Verpackung

Stangenverpackung

Insulator material

PBT, UL94V-0

Contact material

Phosphor bronze

Plating

Ni, Au

Contact resistance

100mΩ max

Insulation resistance

1000MΩ min

Current rating

Switching

25mA

Non-switching

100mA

Operating temperature

-25°C - +70°C

Operating voltage

24V DC

Test voltage

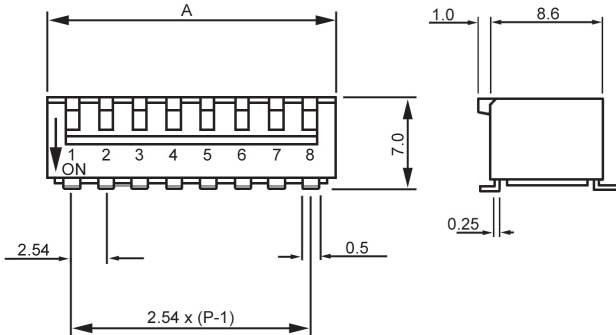
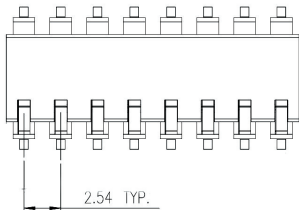
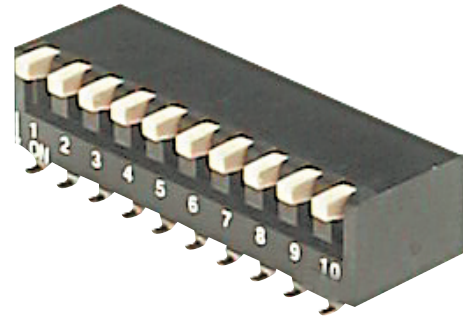
500V AC

Operating force

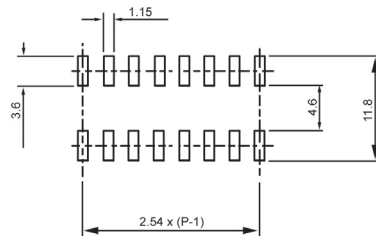
800g max

Packing

Tube packing



| Dimensions | |
|-----------------|------|
| No. of contacts | A |
| 2 | 6.5 |
| 3 | 9.0 |
| 4 | 11.6 |
| 5 | 14.1 |
| 6 | 16.7 |
| 7 | 19.2 |
| 8 | 21.7 |
| 10 | 26.7 |



Bestellcode / Ordercode

Polzahl

02 / 03 / 04 / 05 / 06 / 07 / 08 / 10

No. of contacts

02 / 03 / 04 / 05 / 06 / 07 / 08 / 10

AD - EPD x

Bitte „x“ durch die geeignete Option ersetzen
 Please replace „x“ with appropriate option

Cable assemblies

D-Sub / Hoods Centronics

Multiflex - DIN41651

Modular

USB IEEE1394

Switches

Powercards Powerinlets

DIN41612 Hardmetric

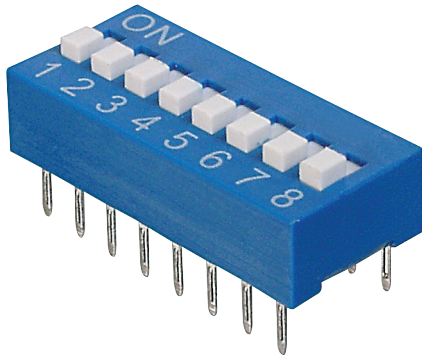
MiniDIN

Sockets / Strips Jumper

Terminal Blocks

Memory Card

FFC / FPC



Isolierkörpermaterial
PBT, UL94V-0

Kontaktmaterial
Messing

Kontaktoberfläche
Ni, Au / Sn

Kontaktwiderstand
100mΩ max

Isolationswiderstand
100MΩ min

Strombelastbarkeit
Schaltend
25mA
In Ruhe
100mA

Betriebstemperatur
-40°C - +85°C

Betriebsspannung
24V DC

Prüfspannung
500V AC

Schiebekraft
1000g max

Verpackung
Stangenverpackung

Insulator material
PBT, UL94V-0

Contact material
Brass

Plating
Ni, Au / Sn

Contact resistance
100mΩ max

Insulation resistance
100MΩ min

Current rating
Switching
25mA
Non-switching
100mA

Operating temperature
-40°C - +85°C

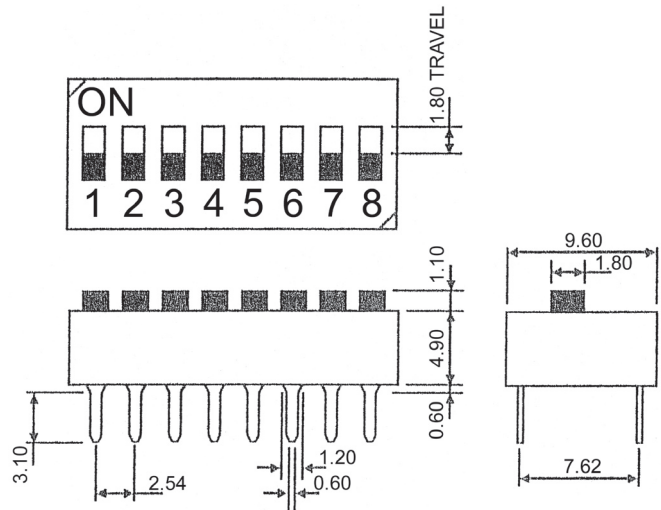
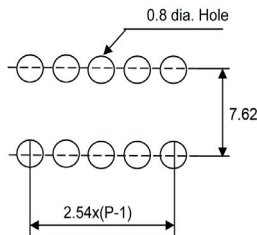
Operating voltage
24V DC

Test voltage
500V AC

Operating force
1000g max

Packing
Tube packing

| Dimensions | |
|-----------------|-------|
| No. of contacts | A |
| 2 | 6.08 |
| 3 | 8.62 |
| 4 | 11,16 |
| 5 | 13.70 |
| 6 | 16.24 |
| 7 | 18.78 |
| 8 | 21.32 |
| 10 | 26.40 |



Bestellcode / Ordercode

Polzahl

02 / 03 / 04 / 05 / 06 / 07 / 08 / 10

No. of contacts

02 / 03 / 04 / 05 / 06 / 07 / 08 / 10

AD - DIL - SW / xx - N

Bitte „x“ durch die geeignete Option ersetzen
Please replace „x“ with appropriate option

* Standard

Isolierkörpermaterial

PBT, UL94V-0

Kontaktmaterial

Messing

Kontaktfläche

Ni, Au / Sn

Kontaktwiderstand

100mΩ max

Isolationswiderstand

1000MΩ min

Strombelastbarkeit

Schaltend

25mA

In Ruhe

100mA

Betriebstemperatur

-40°C - +85°C

Betriebsspannung

24V DC

Prüfspannung

1000V AC

Schiebekraft

800g max

Verpackung

Stangenverpackung

Insulator material

PBT, UL94V-0

Contact material

Brass

Plating

Ni, Au / Sn

Contact resistance

100mΩ max

Insulation resistance

1000MΩ min

Current rating

Switching

25mA

Non-switching

100mA

Operating temperature

-40°C - +85°C

Operating voltage

24V DC

Test voltage

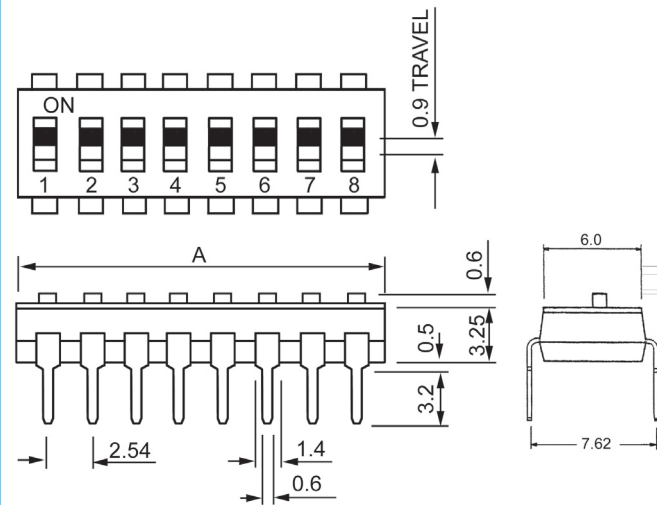
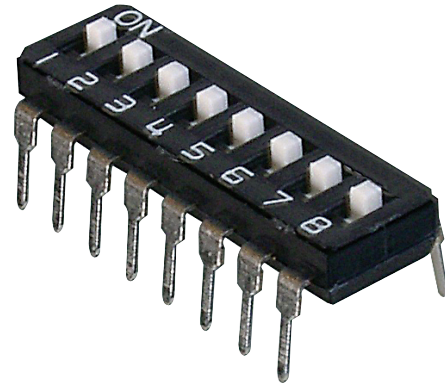
1000V AC

Operating force

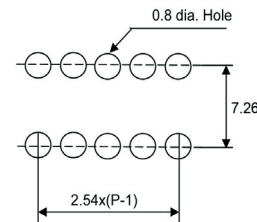
800g max

Packing

Tube packing



| Dimensions | |
|-----------------|-------|
| No. of contacts | A |
| 2 | 5.08 |
| 3 | 7.62 |
| 4 | 10.90 |
| 5 | 13.44 |
| 6 | 15.98 |
| 7 | 18.52 |
| 8 | 21.06 |
| 9 | 23.60 |
| 10 | 26.14 |
| 12 | 31.22 |



Bestellcode / Ordercode

Ausführung

- H - Hoher Schalthebel
- F - Versenkter Schalthebel

Version

- H - Raise actuator
- F - Flat profile actuator

Polzahl

- 02 / 03 / 04 / 05 / 06 / 07 / 08 / 09 / 10 / 12

No. of contacts

- 02 / 03 / 04 / 05 / 06 / 07 / 08 / 09 / 10 / 12

Oberfläche

- Z - Verzinkt
- G - Vergoldet
- S - Selektiv

Finish

- Z - Tin plated
- G - Gold plated
- S - Selectiv

Automaten-Bestückungstyp auf Anfrage

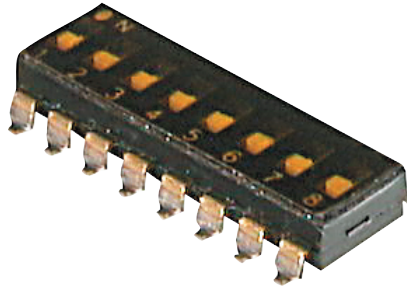
Automatic assembly on request

A - DIL - x xx x

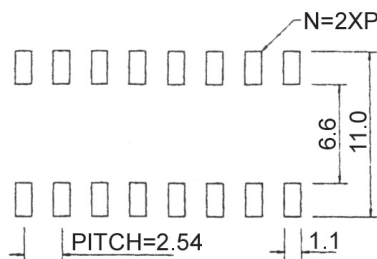
Bitte „x“ durch die geeignete Option ersetzen
 Please replace „x“ with appropriate option

- Cable assemblies
- D-Sub / Hoods Centronics
- Multiflex - DIN41651
- Modular
- USB IEEE1394
- Switches
- Powercards Powerinlets
- DIN41612 Hardmetric
- MiniDIN
- Sockets / Strips Jumper
- Terminal Blocks
- Memory Card
- FFC / FPC

- Cable assemblies
- D-Sub / Hoods Centronics
- Multiflex - DIN41651
- Modular
- USB IEEE1394
- Switches
- Powercords Powerlets
- DIN41612 Hardmetric
- MiniDIN
- Sockets / Strips Jumper
- Terminal Blocks
- Memory Card
- FFC / FPC



| Dimensions | |
|-----------------|-------|
| No. of contacts | A |
| 2 | 5.52 |
| 4 | 10.60 |
| 6 | 15.98 |
| 8 | 20.76 |
| 10 | 25.84 |
| 12 | 30.92 |



Isolierkörpermaterial
PPS, UL94V-0

Kontaktmaterial
Messing

Kontaktoberfläche
Ni, Au / Sn

Kontaktwiderstand
100mΩ max

Isolationswiderstand
100MΩ min

Strombelastbarkeit
Schaltend
25mA
In Ruhe
100mA

Betriebstemperatur
-40°C - +85°C

Betriebsspannung
24V DC

Prüfspannung
500V AC

Schiebekraft
1000g max

Verpackung
Rollenverpackung

Insulator material
PPS UL94V-0

Contact material
Brass

Plating
Ni, Au / Sn

Contact resistance
100mΩ max

Insulation resistance
100MΩ min

Current rating
Switching
25mA
Non-switching
100mA

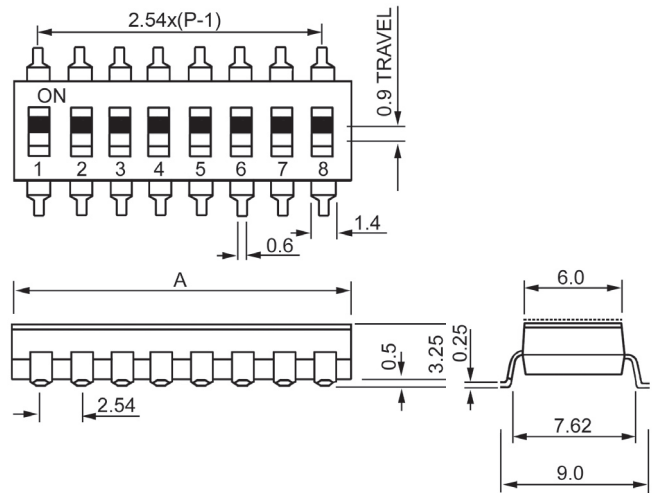
Operating temperature
-40°C - +85°C

Operating voltage
24V DC

Test voltage
500V AC

Operating force
1000g max

Packing
Reel packing



Bestellcode / Ordercode

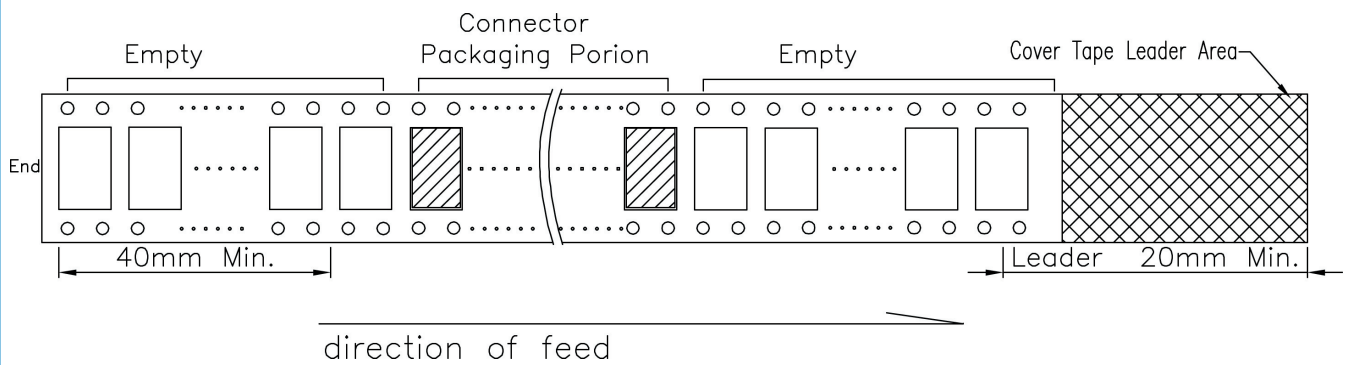
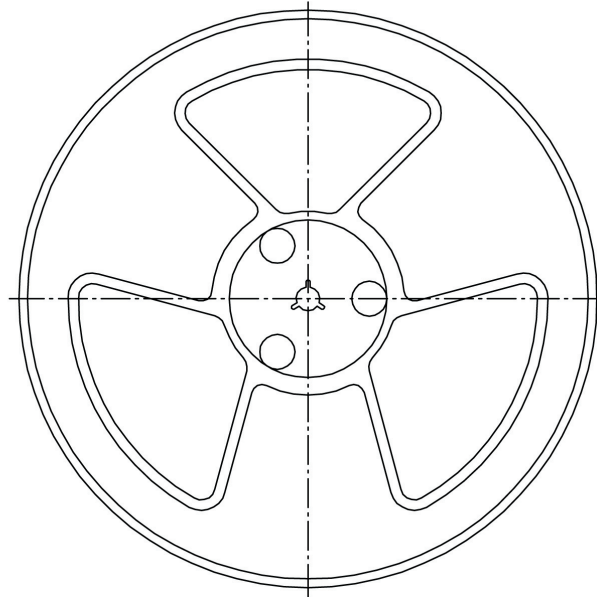
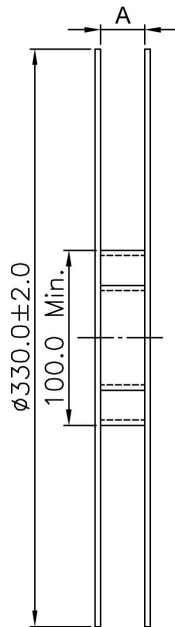
- F - Versenkter Schalthebel
- F - Flat profile actuator
- Polzahl**
02 / 04 / 06 / 08 / 10 / 12
- No. of contacts**
02 / 04 / 06 / 08 / 10 / 12
- Oberfläche**
Z - Verzinkt
G - Vergoldet
S - Selektiv Au
- Finish**
Z - Tin plated
G - Gold plated
S - Selectiv Au

A - DIL - F - xx - x - SM - T

Bitte „x“ durch die geeignete Option ersetzen
Please replace „x“ with appropriate option

Verpackung entspricht
EIA-481-C.

Packing correspond with
EIA-481-C.



| No. of contacts | A | Qty per Reel |
|-----------------|----|--------------|
| 2 | 16 | 1500 |
| 4 - 6 | 24 | 1000 |
| 8 | 32 | 800 |
| 10 -12 | 44 | 800 |

Cable
assemblies

D-Sub / Hoods
Centronics

Multiflex -
DIN41651

Modular

USB
IEEE1394

Switches

Powercards
Powernlets

DIN41612
Hardmetric

MiniDIN

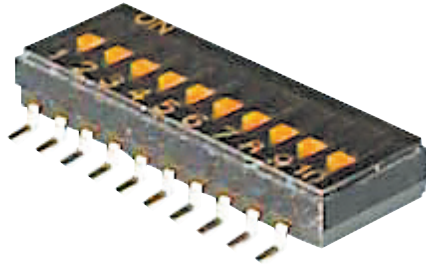
Sockets / Strips
Jumper

Terminal Blocks

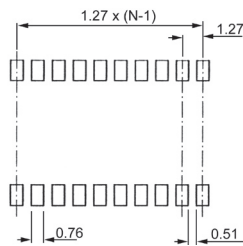
Memory Card

FFC / FPC

- Cable assemblies
- D-Sub / Hoods Centronics
- Multiflex - DIN41651
- Modular
- USB IEEE1394
- Switches
- Powercords Powerlets
- DIN41612 Hardmetric
- MiniDIN
- Sockets / Strips Jumper
- Terminal Blocks
- Memory Card
- FFC / FPC



| Dimensions | |
|-----------------|-------|
| No. of contacts | A |
| 2 | 4.12 |
| 4 | 6.66 |
| 6 | 9.20 |
| 8 | 11.74 |
| 10 | 14.28 |



Isolierkörpermaterial
PPS, UL94V-0

Kontaktmaterial
Messing

Kontaktfläche
Ni, Au / Sn

Kontaktwiderstand
50mΩ max

Isolationswiderstand
1000MΩ min

Strombelastbarkeit
Schaltend
25mA
In Ruhe
100mA

Betriebstemperatur
-30°C - +85°C

Betriebsspannung
24V DC

Prüfspannung
500V AC

Schiebekraft
500g max

Verpackung
Rollenverpackung

Insulator material
PPS, UL94V-0

Contact material
Brass

Plating
Ni, Au / Sn

Contact resistance
50mΩ max

Insulation resistance
1000MΩ min

Current rating
Switching
25mA
Non-switching
100mA

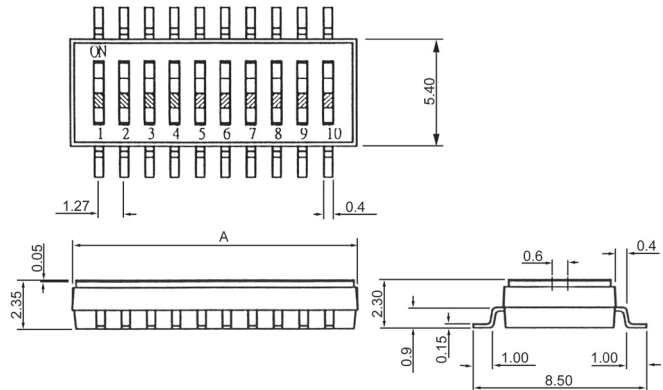
Operating temperature
-30°C - +85°C

Operating voltage
24V DC

Test voltage
500V AC

Operating force
500g max

Packing
Reel packing



Bestellcode / Ordercode

Polzahl

02 / 04 / 06 / 08 / 10

No. of contacts

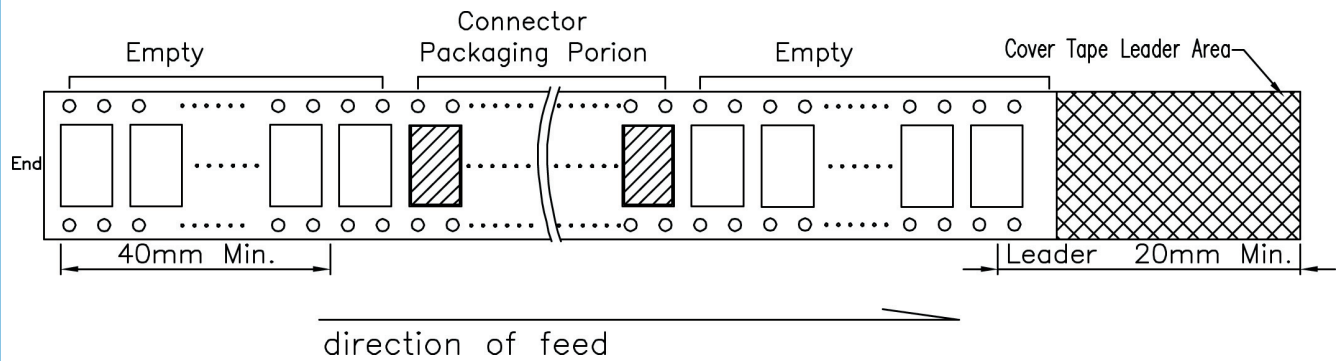
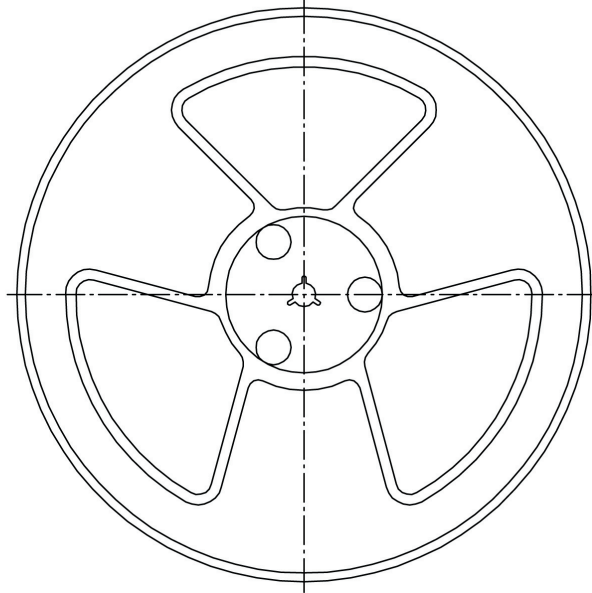
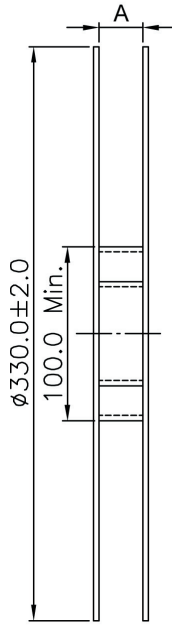
02 / 04 / 06 / 08 / 10

A - DSHP - xx

Bitte „x“ durch die geeignete Option ersetzen
Please replace „x“ with appropriate option

Verpackung entspricht
EIA-481-C.

Packing correspond with
EIA-481-C.



| No. of contacts | A | Qty per Reel |
|-----------------|------|--------------|
| 2 | 16.5 | 2000 |
| 4 | 16.5 | 2000 |
| 6 | 16.5 | 2000 |
| 8 | 24.5 | 2000 |
| 10 | 24.5 | 2000 |

Cable assemblies

D-Sub / Hoods
Centronics

Multiflex -
DIN41651

Modular

USB
IEEE1394

Switches

Powercards
Powernlets

DIN41612
Hardmetric

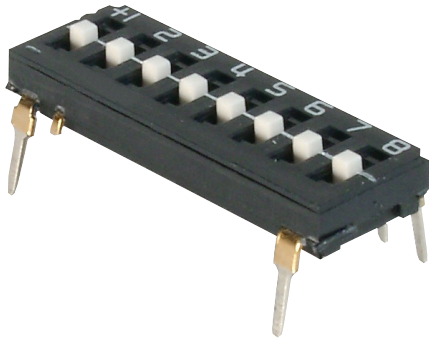
MiniDIN

Sockets / Strips
Jumper

Terminal Blocks

Memory Card

FFC / FPC



Isolierkörpermaterial
PPS, UL94V-0

Kontaktmaterial
Messing

Kontaktfläche
Ni, Au / Sn

Kontaktwiderstand
100mΩ max

Isolationswiderstand
1000MΩ min

Strombelastbarkeit
Schaltend
25mA
In Ruhe
100mA

Betriebstemperatur
-40°C - +85°C

Betriebsspannung
24V DC

Prüfspannung
500V AC

Schiebekraft
1000g max

Verpackung
Stangenverpackung

Insulator material
PPS, UL94V-0

Contact material
Brass

Plating
Ni, Au / Sn

Contact resistance
100mΩ max

Insulation resistance
1000MΩ min

Current rating
Switching
25mA
Non-switching
100mA

Operating temperature
-40°C - +85°C

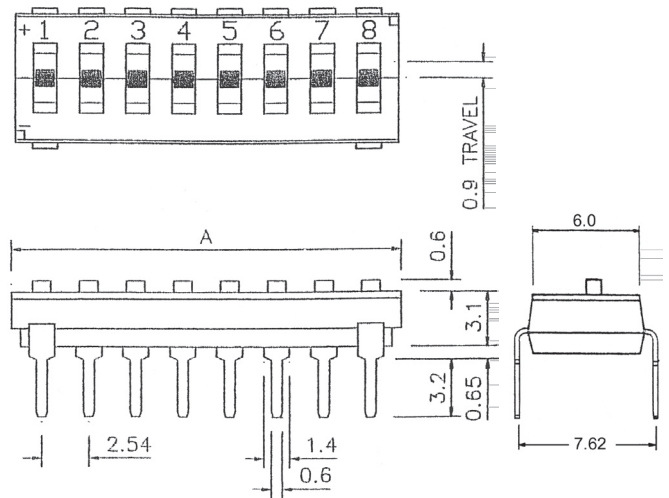
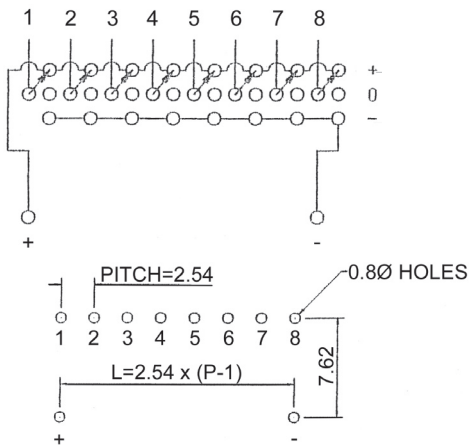
Operating voltage
24V DC

Test voltage
500V AC

Operating force
1000g max

Packing
Tube packing

| Dimensions | |
|-----------------|-------|
| No. of contacts | A |
| 8 | 20.76 |
| 9 | 23.30 |
| 10 | 25.84 |
| 12 | 30.92 |



Bestellcode / Ordercode

H - Hoher Schalthebel

Polzahl
08 / 09 / 10 / 12

S - Selektiv Au

H - Raise actuator

No. of contacts
08 / 09 / 10 / 12

S - Selectiv Au

A - TRI - H xx S

Bitte „x“ durch die geeignete Option ersetzen
Please replace „x“ with appropriate option

Cable
assemblies

D-Sub / Hoods
Centronics

Multiflex -
DIN41651

Modular

USB
IEEE1394

Switches

Powercords
Powerlets

DIN41612
Hardmetric

MiniDIN

Sockets / Strips
Jumper

Terminal Blocks

Memory Card

FFC / FPC

Isolierkörpermaterial

PPS, UL94V-0

Kontaktmaterial

Messing

Kontaktfläche

Ni, Au / Sn

Kontaktwiderstand

100mΩ max

Isolationswiderstand

100MΩ min

Strombelastbarkeit

50mA

Betriebstemperatur

-25°C - +70°C

Betriebsspannung

12V DC

Prüfspannung

250V AC

Schaltkraft

verschiedene,
siehe Bestellcode

Verpackung

Stangenverpackung

Insulator material

PPS, UL94V-0

Contact material

Brass

Plating

Ni, Au / Sn

Contact resistance

100mΩ max

Insulation resistance

100MΩ min

Current rating

50mA

Operating temperature

-25°C - +70°C

Operating voltage

12V DC

Test voltage

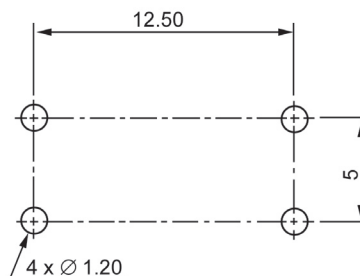
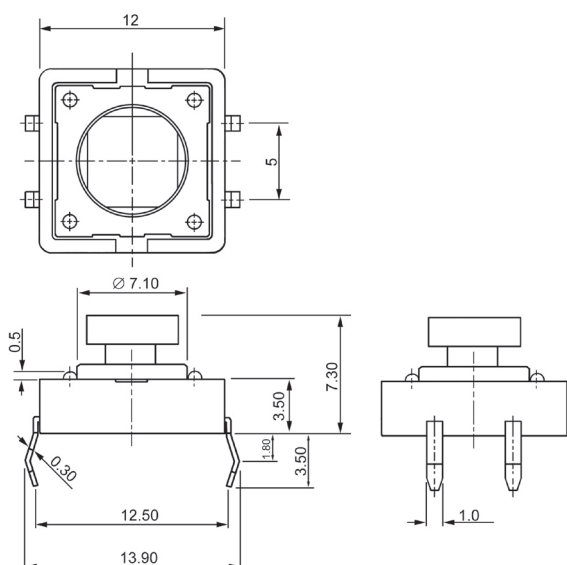
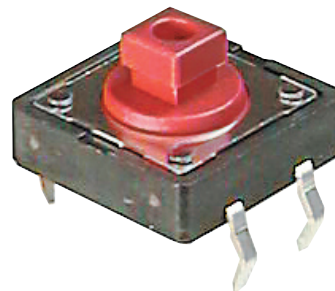
250V AC

Operating force

different,
please refer ordercode

Packing

Tube packing



Bestellcode / Ordercode

2 - 12 x 12mm

2 - 12 x 12mm

Schaltkraft

- N - Farbe: Braun, 160g
- R - Farbe: Rot, 260g
- U - Farbe: Blau, 70g
- K - Farbe: Schwarz, 100g
- Y - Farbe: Gelb, 520g

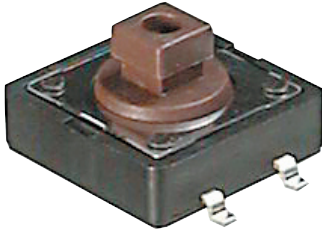
Operating force

- N - Colour: Brown, 160g
- R - Colour: Red, 260g
- U - Colour: Blue, 70g
- K - Colour: Black, 100g
- Y - Colour: Yellow, 520g

A - TS 2 x

Bitte „x“ durch die geeignete Option ersetzen
 Please replace „x“ with appropriate option

- Cable assemblies
- D-Sub / Hoods Centronics
- Multiflex - DIN41651
- Modular
- USB IEEE1394
- Switches
- Powercards Powerinlets
- DIN41612 Hardmetric
- MiniDIN
- Sockets / Strips Jumper
- Terminal Blocks
- Memory Card
- FFC / FPC



Isolierkörpermaterial

PPS, UL94V-0

Kontaktmaterial

Messing

Kontaktfläche

Ni, Au / Sn

Kontaktwiderstand

100mΩ max

Isolationswiderstand

100MΩ min

Strombelastbarkeit

50mA

Betriebstemperatur

-25°C - +70°C

Betriebsspannung

12V DC

Prüfspannung

250V AC

Schaltkraft

verschiedene,
siehe Bestellcode

Verpackung

Stangenverpackung

Insulator material

PPS, UL94V-0

Contact material

Brass

Plating

Ni, Au / Sn

Contact resistance

100mΩ max

Insulation resistance

100MΩ min

Current rating

50mA

Operating temperature

-25°C - +70°C

Operating voltage

12V DC

Test voltage

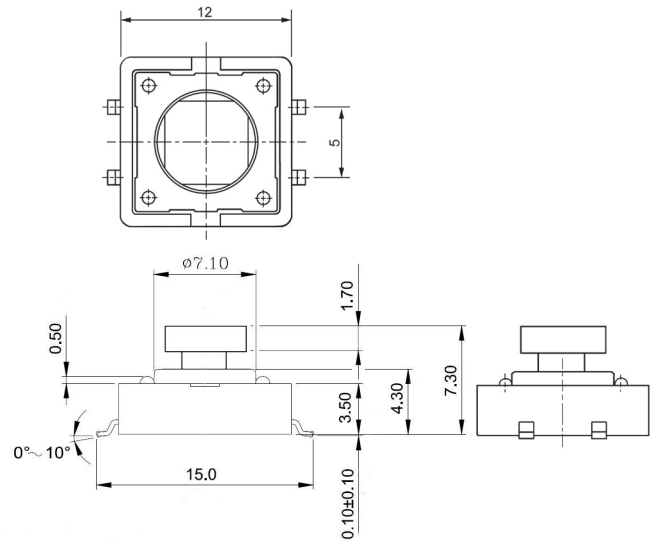
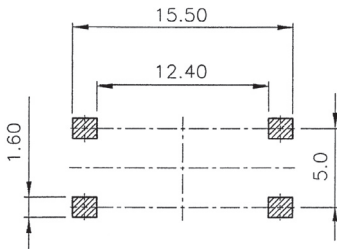
250V AC

Operating force

different,
please refer ordercode

Packing

Tube packing



Bestellcode / Ordercode

2 - 12 x 12mm

2 - 12 x 12mm

Schaltkraft

- N - Farbe: Braun, 160g
- R - Farbe: Rot, 260g
- U - Farbe: Blau, 70g
- K - Farbe: Schwarz, 100g
- Y - Farbe: Gelb, 520g

Operating force

- N - Colour: Brown, 160g
- R - Colour: Red, 260g
- U - Colour: Blue, 70g
- K - Colour: Black, 100g
- Y - Colour: Yellow, 520g

SM - SMD

SM - SMD

A - TS - 2 - x - SM

Bitte „x“ durch die geeignete Option ersetzen
Please replace „x“ with appropriate option

Cable
assemblies

D-Sub / Hoods
Centronics

Multiflex -
DIN41651

Modular

USB
IEEE1394

Switches

Powercords
Powerlets

DIN41612
Hardmetric

MiniDIN

Sockets / Strips
Jumper

Terminal Blocks

Memory Card

FFC / FPC

Material
 Kunststoff ABS

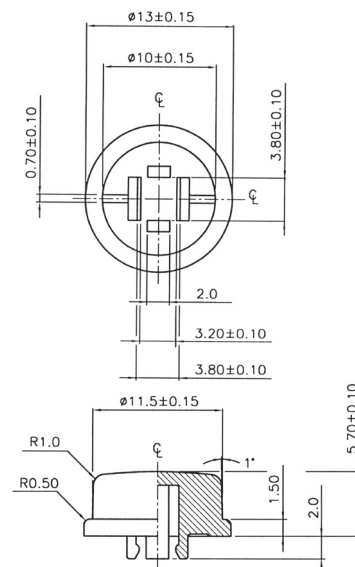
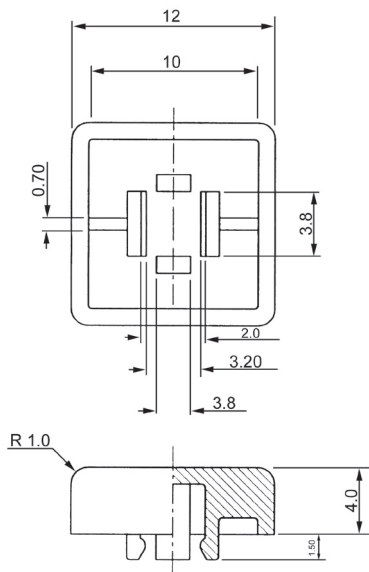
Die Tasterkappen sind in den Ausführungen Rund und Quadratisch erhältlich.
 Außer der Standardfarbe weiß sind ebenso folgende Farben auf Anfrage erhältlich:

gelb, blau, rot, schwarz, grün

Material
 Thermoplastic ABS

These Caps for tactical switches are available in Square and Round.
 Except for the standard colour white (ivory) the following colours are also available on request:

yellow, blue, red, black, green



Bestellcode / **Ordercode**

Ausführung

- S - Quadratisch
- R - Rund

Farbe

- I - Weiß
- Y - Gelb
- B - Blau
- R - Rot
- K - Schwarz
- G - Grün

Cape type

- S - Square
- R - Round

Colour

- I - Ivory
- Y - Yellow
- B - Blue
- R - Red
- K - Black
- G - Green

A - CAP 2 x x

Bitte „x“ durch die geeignete Option ersetzen
 Please replace „x“ with appropriate option

- Cable assemblies
- D-Sub / Hoods Centronics
- Multiflex - DIN41651
- Modular
- USB IEEE1394
- Switches
- Powercords Powernets
- DIN41612 Hardmetric
- MiniDIN
- Sockets / Strips Jumper
- Terminal Blocks
- Memory Card
- FFC / FPC