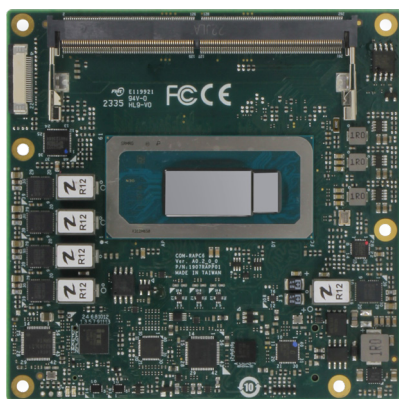


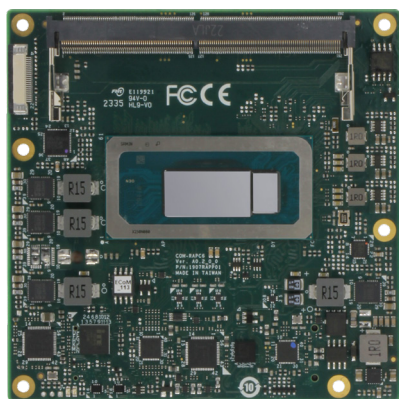
COM-RAPC6

COM Express Type 6 Compact Size with 13th Generation Intel® Core™ i7/i5/i3 Processor SoC

COM-RAPC6-H series CPU



COM-RAPC6-P/U series CPU



Specifications

System	
Form Factor	COM Express, Type 6
CPU	13th Intel® Core™ Processor: Intel® Core™ i7-13800HRE Processor (14C/20T, 2.5GHz, 45W) Intel® Core™ i7-13800HE Processor (14C/20T, 2.5GHz, 45W) Intel® Core™ i5-13600HE Processor (12C/16T, 2.7GHz, 45W) Intel® Core™ i3-13300HE Processor (8C/12T, 2.1GHz, 45W) Intel® Core™ i7-1370PE Processor (14C/20T, 1.9GHz, 28W) Intel® Core™ i5-1340PE Processor (14C/16T, 1.8GHz, 28W) Intel® Core™ i3-1320PE Processor (8C/12T, 1.7GHz, 28W) Intel® Core™ i3-1315UE Processor (6C/8T, 1.2GHz, 15W)
Chipset	Integrated with Intel® SoC
Memory	DDR5 SODIMM Socket x 2, non-ECC, up to 64GB (U Processor up to 4800MT/s, H/P Processor up to 5200 MT/s)
Onboard Storage	—
BIOS	AMI UEFI
Wake on LAN	Yes
Watchdog Timer	255 Levels
Dimension	3.75" x 3.75" (95mm x 95mm)
Security	TPM 2.0

Features

- 13th Generation Intel® Core™ i7/i5/i3 Processor SoC, max TDP 45W
- DDR5 SODIMM x 2, up to 64GB (non-ECC)
- Intel i226 Gigabit Ethernet x 1
- SATA 6.0Gbps x 2
- USB3.2 Gen2 x 4, USB2.0 x 8
- Up to 6 PCIe devices
- 12V DC input
- COM Express Type 6, Compact size, 95 x 95mm



Power	
Power Requirement	+12V and +5VSB for ATX, +12V for AT
Power Type	AT/ATX
Power Consumption (Typical)	Intel® Core™ i7-13800HE, DDR5 32GB x 2, 8.30A@ +12V
Display	
Graphics Controller	Intel® Iris® Xe Graphics Intel® UHD Graphics
Video Output	4 Simultaneous Displays: DDI x 3, up to 3840 x 2160 18/24-bit Single/Dual-Channel LVDS/eDP x 1, up to 1920 x 1080 / 3840 x 2160 @60Hz VGA x 1, up to 1920 x 1080
I/O	
Ethernet	Intel® Ethernet Controller I226, GbE x 1
Audio	High Definition Audio Interface
USB Port	USB 2.0 x 8, USB 3.2 Gen 2 x 4
Serial Port	2-Wire UART x 2 (Tx/Rx)
HDD Interface	SATA 6Gb/s x 2
Expansion	PCIe[x1] x 4 (Configurable by BIOS)+ PCIe[x4] x 1+PCIe[x8] x 1 (PCIe[x8] for H series CPU only)
GPIO	8-bit
SMBus/I2C	I2C x 1, SMBus x 1
Environment	
Operating Temperature	32°F ~ 140°F (0°C ~ 60°C) WITAS 2: -40°F ~ 185°F (-40°C ~ 85°C) on selected CPU SKU
Storage Temperature	-40°F ~ 185°F (-40°C ~ 85°C)
Operating Humidity	0% ~ 90% relative humidity, non-condensing
EMC	CE/FCC Class A
OS Support	Windows® 10 (64-bit) Linux Ubuntu 23.10.1/Kernel 6.5
Weight	0.25 lb. (0.12Kg)

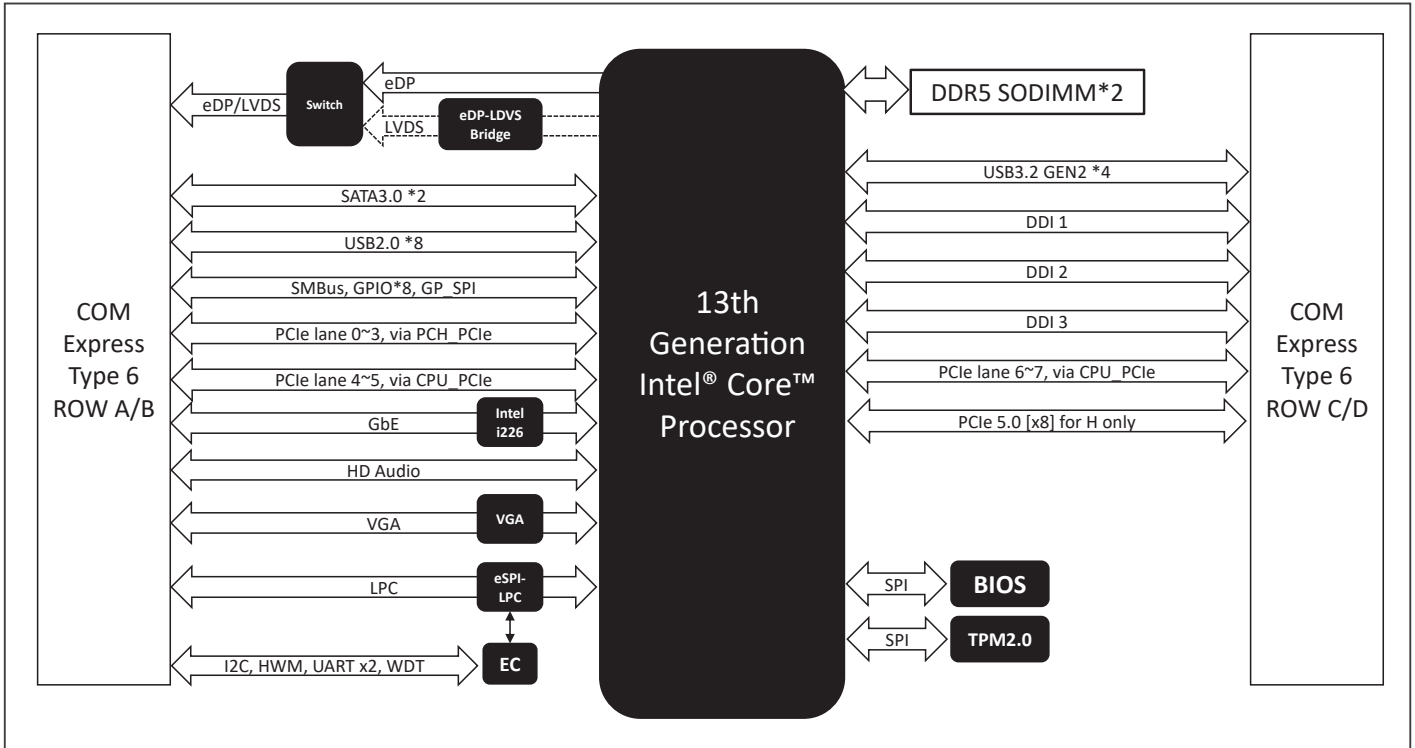
Packing List

- COM-RAPC6

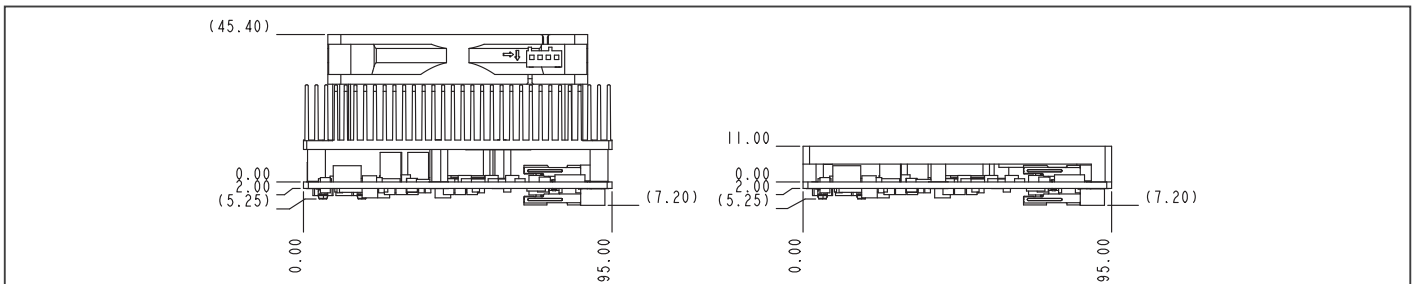
Optional Accessories

Part Number	Description
COM-RAPC6-FAN01	Cooler.95 x 95 x 45.4mm.4pin
ECB-920A-A11-0001	COMe Type 6/10.Carrier Board.ATX.2.5GbE.8USB.2COM.4SATA.PCIE.AT/ATX. Rev.A1.1

Block Diagram Unit: mm



Dimension Unit: mm



Ordering Information

Part Number	COM Express Type	CPU	Memory	ECC support	Display	LVDS	Storage	LAN	USB	UART	Expansion	Power	Temp	Others
COM-RAPC6-A10-0001	Type 6	Intel® Core™ i7-13800HE	DDR5 SODIMM x2	—	VGA x 1, LVDS x 1, DDI x 3	18/24bits 2CH LVDS	SATA 6.0Gbps x 2	i226-ITx1	USB 2.0 x 4, USB3.2 Gen 2/2.0 x 4	2-Wire UART x 2 (Tx/Rx)	PCIe x 4 lanes ([x1] x 4 or [x2] x 2 or [x4] x 1) + PCIe [x4] x 1 + PCIe [x8] x 1	12V	0°C ~ 60°C	LPC, GPIO 8-bit, I2C, SMBus
COM-RAPC6-A10-0002	Type 6	Intel® Core™ i5-13600HE	DDR5 SODIMM x2	—	VGA x 1, LVDS x 1, DDI x 3	18/24bits 2CH LVDS	SATA 6.0Gbps x 2	i226-ITx1	USB 2.0 x 4, USB3.2 Gen 2/2.0 x 4	2-Wire UART x 2 (Tx/Rx)	PCIe x 4 lanes ([x1] x 4 or [x2] x 2 or [x4] x 1) + PCIe [x4] x 1 + PCIe [x8] x 1	12V	0°C ~ 60°C	LPC, GPIO 8-bit, I2C, SMBus
COM-RAPC6-A10-0003	Type 6	Intel® Core™ i3-1320PE	DDR5 SODIMM x2	—	VGA x 1, LVDS x 1, DDI x 3	18/24bits 2CH LVDS	SATA 6.0Gbps x 2	i226-ITx1	USB 2.0 x 4, USB3.2 Gen 2/2.0 x 4	2-Wire UART x 2 (Tx/Rx)	PCIe x 4 lanes ([x1] x 4 or [x2] x 2 or [x4] x 1), PCIe [x4] x 1	12V	0°C ~ 60°C	LPC, GPIO 8-bit, I2C, SMBus
COM-RAPC6-A10-0005	Type 6	Intel® Processor U300E	DDR5 SODIMM x2	—	VGA x 1, LVDS x 1, DDI x 3	18/24bits 2CH LVDS	SATA 6.0Gbps x 2	i226-ITx1	USB 2.0 x 4, USB3.2 Gen 2/2.0 x 4	2-Wire UART x 2 (Tx/Rx)	PCIe x 4 lanes ([x1] x 4 or [x2] x 2 or [x4] x 1), PCIe [x4] x 1	12V	0°C ~ 60°C	LPC, GPIO 8-bit, I2C, SMBus
COM-RAPC6W2-A10-0001	Type 6	Intel® Core™ i7-13800HRE	DDR5 SODIMM x2	—	VGA x 1, LVDS x 1, DDI x 3	18/24bits 2CH LVDS	SATA 6.0Gbps x 2	i226-ITx1	USB 2.0 x 4, USB3.2 Gen 2/2.0 x 4	2-Wire UART x 2 (Tx/Rx)	PCIe x 4 lanes ([x1] x 4 or [x2] x 2 or [x4] x 1) + PCIe [x4] x 1 + PCIe [x8] x 1	12V	-40°C ~ 85°C	LPC, GPIO 8-bit, I2C, SMBus