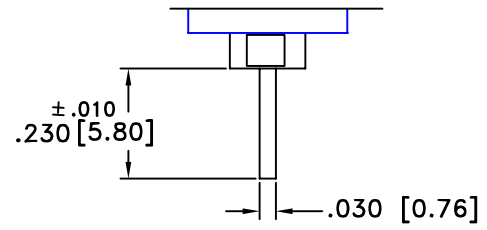
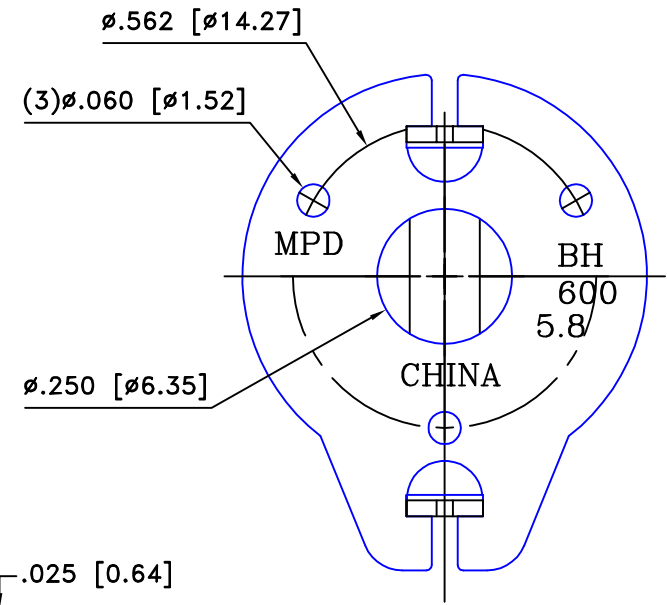
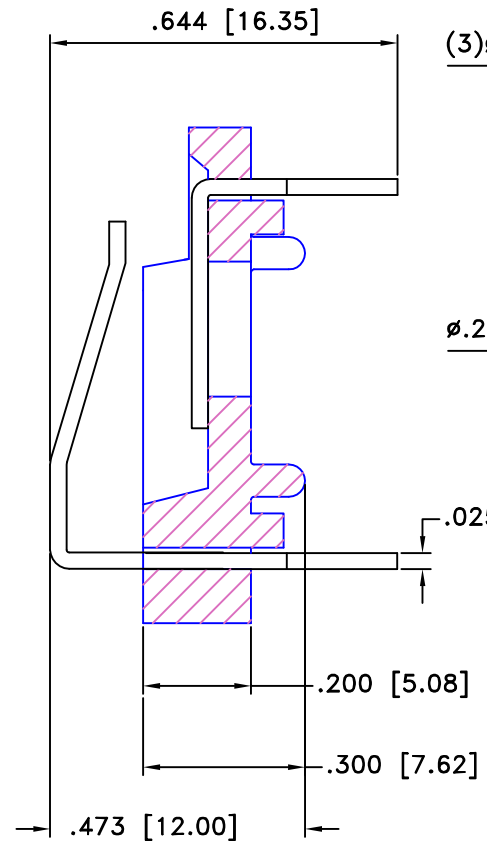
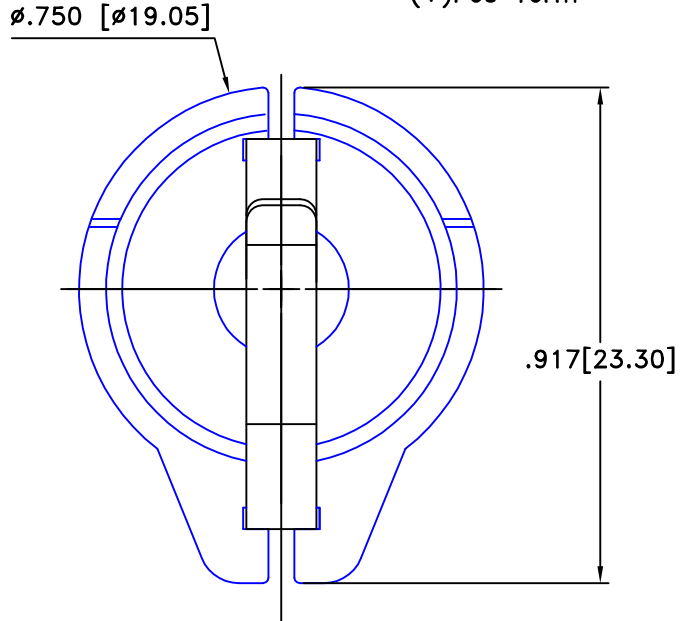
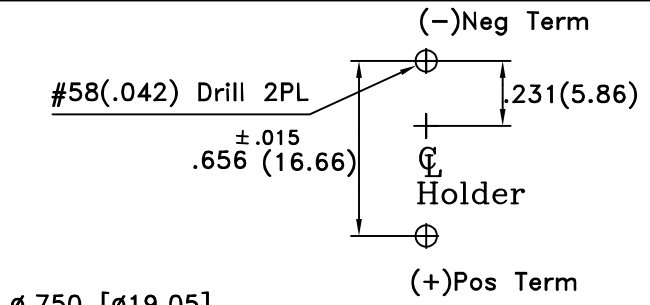



Date	SYM	REVISION RECORD	AUTH	DR.	CK.
10/22/05	A	ADDED "ROHS COMPLIANT"	T.B.	B.S.	



Square Contact Detail

**SPECIFICATIONS**

- \*Holder material—Kopa 66, 30% glass filled, color Black
  - \*Flammability rating—UL94V-0
  - \*Contacts—phosphor Bronze Spring Temper, Gold Flash Plating
  - \*Dielectric strength—560volts/mil at 25°C for 5seconds
  - \*Temperature range— -55° to +180°C
  - \*Resistance to solvents—Xylene,ethyl,butyl,methyl&proptl alcohol;ethyl acetate,heptane;toluene;refrigerant
- ROHS COMPLIANT

Tolerance (Except as noted)		Memory protection Devices, Inc	
		200 Broad Hollow Road, Farmingdale, New York 11735	
decimal $\pm .5$ (.020)	Title	Scale	Drawn By B.S.
		XX	Approved By T.B.
Fractional $\pm .8$ (.030)	16mm DIA. x 5.8mm THICK COIN CELL HOLDER		
Angular $\pm 3^\circ$	Date	Drawing Number	
	10/22/05	BH600-5.8-G	