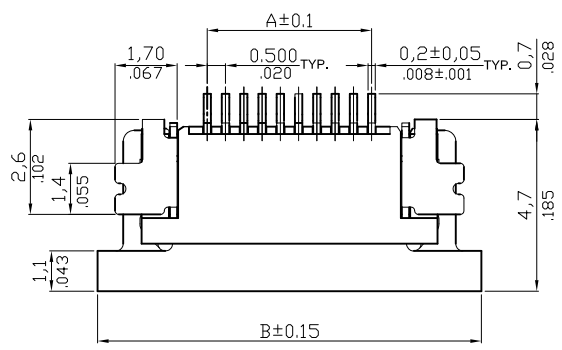
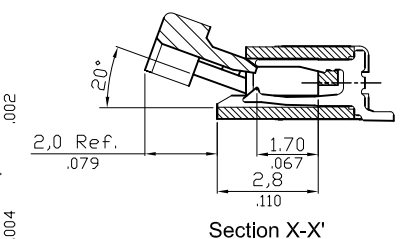
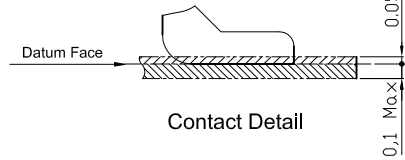
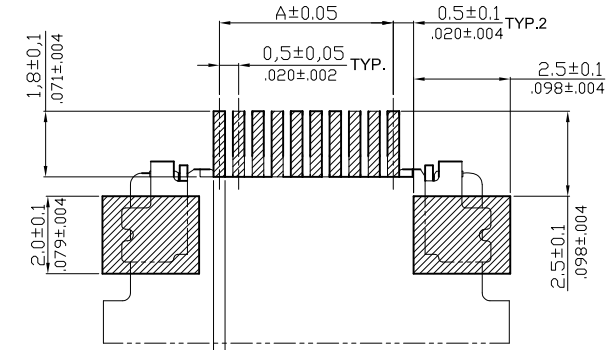
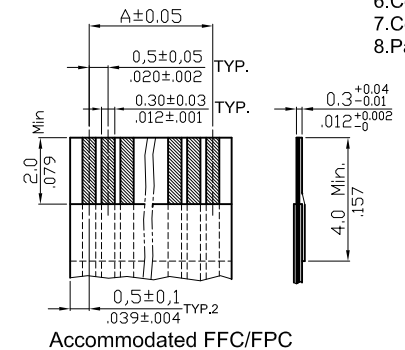
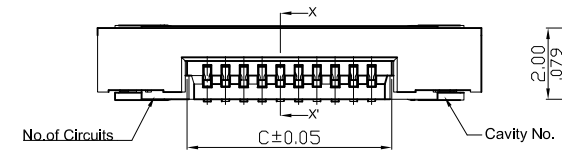


A  
B  
C  
D  
E  
F

A  
B  
C  
D  
E  
F



A=0.50 x NO. OF SPACES  
B=A+6.0  
C=A+1.1  
\* Available in 4 through 55 circuits




Sold Pad Pattern

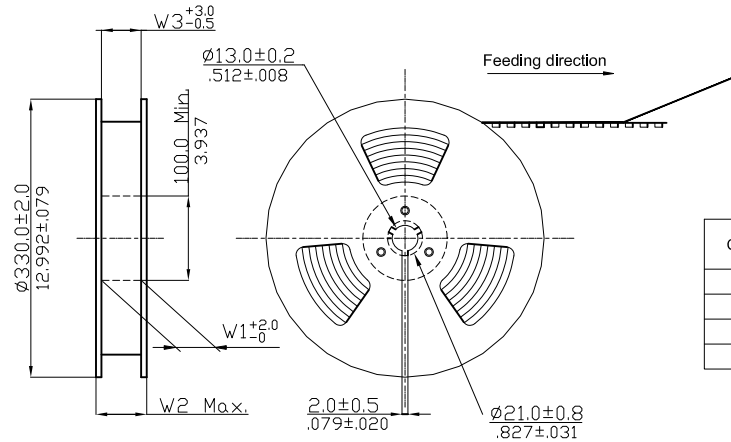
NOTES:

- 1.Body : Glass filled Polyamide UL94V-0  
Color Nature(Ivory)
- 2.Slider : High Temperature plastic UL94V-0  
Color Black
- 3.Contact : Copper alloy with Tin plated
- 4.Fixed tab : Copper alloy with Tin plated
- 5.Plating: 3.05um(120μ")Min. Tin  
over 0.76um(30μ")Nickel
- 6.Contact style: Downside contact
- 7.Color: Nature
- 8.Packing : R=Tape & Reel  
T=Tube Packing

RoHS compliant

Scale	1:1					Date	Name	Customer-No.
TOLERANCE						Drawn	30.04.2007	Hellwig
.X	±0.15/.006					Approved	31.05.2009	Hellwig
.XX	±0.10/.004							
.XXX	±0.05/.002							
DIM	TOL	②	Add packing drawing	31.05.2009	Dean			
X.°	±1°	①	Drawn	30.04.2007	Hellwig			
X.X°	±X°							
Angle	TOL	Id.	Modification	Date	Name			

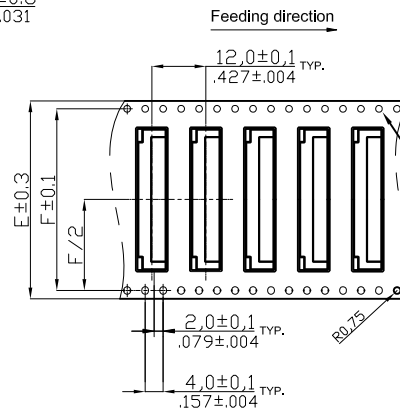
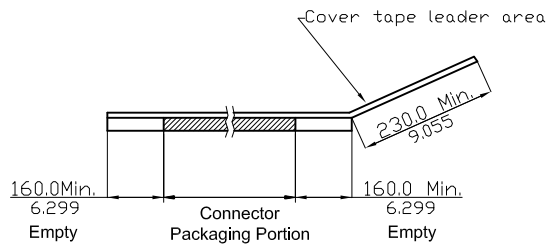
Customer-No.		
ASSMANN WSW-No.		
AFFC20-xx-050-SHB-R		
AFFC20-xx-050-SHB-T		
Drawing-No.	ASS 2215 CO	rev02
Replace	SHEET	1 / 2



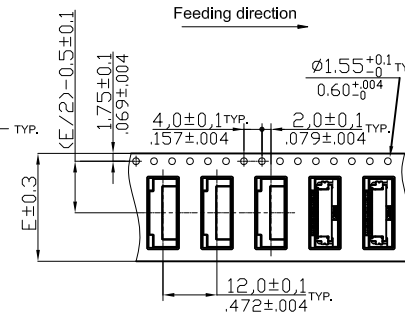
Circuits	Dimension					Packing (Reel/Caton)
	E	F	W1	W2	W3	
4-21	24.0(1.945)	-	24.5(1.965)	30.5(1.200)	24.5(1.965)	9
22-31	32.0(1.260)	28.40(1.118)	32.5(1.280)	38.5(1.516)	32.5(1.280)	7
32-52	44.0(1.732)	40.40(1.596)	44.5(1.752)	50.5(1.988)	44.5(1.752)	5
53-55	56.0(2.205)	52.40(2.063)	56.5(2.224)	62.5(2.461)	56.5(2.224)	4

**NOTES:**

- 1.Reel Material:HIPS
- 2.Carrier Material : Clear, Conductive Polystyrene Alloy
- 3.Cover Tape Material: Polyester
- 4.Cover Tape Peel Strength: 0.1N-1.3N
- 5.Carrier camber is within 1mm in 100mm
- 6.All dimensions meet EIA-481-2&EIA-481-3 requirements
- 7.Quantity:2000 PCS/Reel




WIDTH:32,44,56 mm Carrier



WIDTH:24 mm Carrier

**RoHS compliant**

Scale	Free					Date	Name	Customer-No.
TOLERANCE					Drawn	30.04.2007	Hellwig	
.X	±X				Approved	31.05.2009	Hellwig	ASSMANN WSW-No. AFFC20-xx-050-SHB-R AFFC20-xx-050-SHB-T
.XX	±X							
.XXX	±X							
DIM	TOL	②	Add packing drawing	31.05.2009	Dean			
X.°	±1°							
X.X°	±X°	①	Drawn	30.04.2007	Hellwig			
Angle	TOL	Id.	Modification	Date	Name			Drawing-No. <b>ASS 2215 CO</b> Replace

rev02

SHEET 2 / 2