



- 16 mm ball
- no sealing
- very compact

16 MM OEM TRACKBALLMODULE

The GK16-1502 is a high specification keyboard or panel mounted trackball. This trackball features ABS construction, has a phenolic ball with metal core, quality shafts and bearings to ensure precision movement. The topring / ball is removable. A removal tool is part of the supply. Compact dimensions and back of panel mounting make the GK16 ideal for compact keyboard, mobile or remote control applications.

GENERAL TECHNICAL SPECIFICATIONS

Sealing	: none, IP40
Casing material	: ABS
Top plate material	: ABS
Ball material	: Phenolic resin (metal core)
Ball colour	: Black
Ball diameter	: 16 mm
Weight	: 20 grams
Shaft diameter	: 3 mm
Tracking force	: 10 grams nominal
Resolution	: 117 pulses per ball revolution
Mounting angle	: Max. 30° to horizontal plane
Lifetime - Ball revolutions	: > 1 million
Storage temperature	: -20°C to +70°C
Operating temperature	: 0°C to +60°C
Relative humidity	: 95% non-condensing
Vibration	: 5G, 5-2KHz any plane

CONNECTIVITY

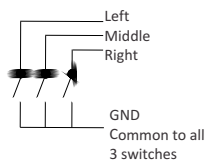
The trackball is PS/2 or USB compatible and is supplied with an interconnection PCB and all relevant cables. No special device driver is required.

* Due to the increasing differences of the mouse port specifications of the various PC manufacturers, we do recommend that this unit should be tested on the final PC configuration and operating system prior to installing it in series

ORDER INFO & PARTS DESCRIPTION

Pin	External switch
1	Left switch
2	Middle switch
3	Right switch
4	GND

JST 4 way PH series, 2 mm pitch



(1)



(2)

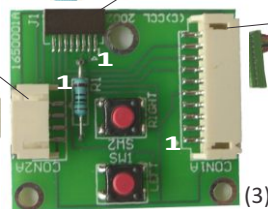
Pin	PS/2 output
1	-
2	sw.middle in
3	GND
4	sw. left in
5	sw right in
6	CLK
7	DATA
8	Vcc

JST 8 way FM series, 1 mm pitch

Pin	PS/2 output
1	-
2	-
3	-
4	-
5	-
6	-
7	Vcc
8	DATA
9	CLK
10	GND

JST 10 way PH series, 2 mm pitch

(5)



(3)

(4)

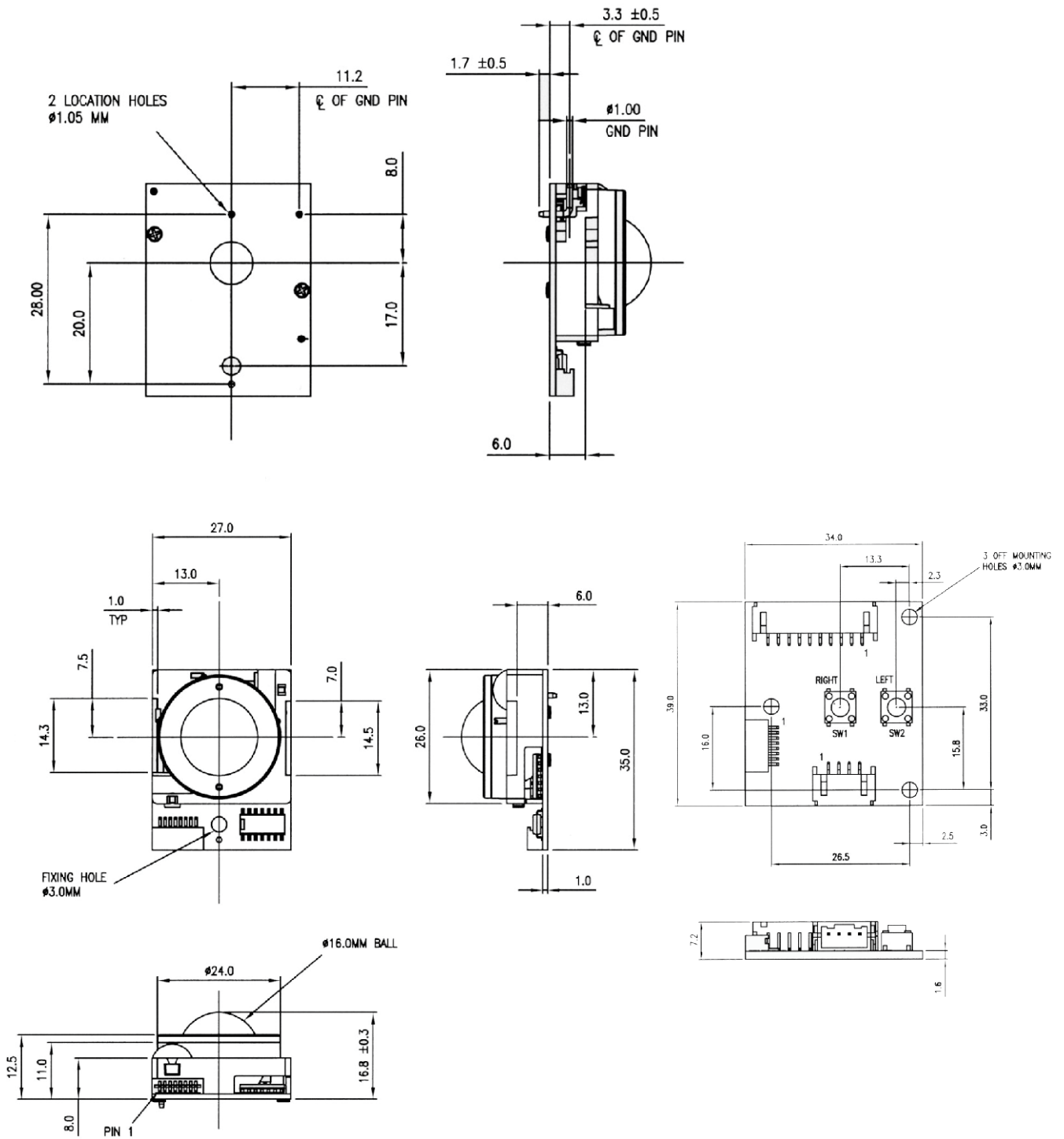


OUTPUT	ORDER NUMBER
PS/2	GK16-1502
USB	GK16-1602

TRACKBALL KIT consisting of :

- P16-140210** Trackballmodule only PS/2 output (1) OR
- P16-150210** Trackballmodule only USB output (1)
- 1151-00** Flexlead interconnection cable (2)
- T1601126** Interconnection PCB (3)
- OC6010160** Shielded cable 1,6 m. long with PS/2 plug (4) OR
- OC5010160** Shielded cable 1,6 m. long with USB plug (4)
- IC040035** Cable (4 wires), 35 cm long to connect up to 3 external switches (5)

DIMENSIONAL DRAWING



Dim in mm.

The company reserves the right to alter without prior knowledge the specification or design of any standard product or service.