



<b>FREQUENCY STABILITY</b>	
OVER:	
OPERATING TEMP. RANGE :	<i>see note 1</i>
LONG TERM AGING 1ST YEAR:	< ±0.3 ppm *
10 YEARS:	< ±2.5 ppm *
SUPPLY VOLTAGE ± 0.5 V	< ±0.1 ppm (on request, < ±0.025 ppm)
LOAD ±10%:	< ±0.01 ppm
<b>POWER SUPPLY</b>	
SUPPLY INPUT:	Vcc = 12 V ±0.5 V *
INPUT CURRENT :	< 25 mA @ +30 °C *
INPUT CURRENT :	< 40 mA @ -20 °C *
<b>FREQUENCY CONTROL RANGE</b>	
CONTROL VOLTAGE:	<i>see note 2</i>
FREQUENCY DEVIATION:	> ±2.5 ppm *
RESPONSE SLOPE:	positive
<b>OUTPUT</b>	
OUTPUT SIGNAL:	HC-MOS compatible
SYMMETRY:	40 (min.) / 60 (max.) % @ Vcc / 2 *
RISE AND FALL TIME:	tr < 7ns if < 7 ns *
LEVEL „0“ AND „1“:	< 0.4 V > 5V - 0.5 V
FAN OUT (LOAD):	10 LS
<b>ENVIRONMENT</b>	
OPERABLE TEMP. RANGE:	-40 to +85 °C
STORAGE TEMP. RANGE:	-65 to +125 °C
VIBRATION:	10 to 2000 Hz / 10 g
SHOCK	2000 g, 0.3 ms, ½ sine
PACKAGE:	DIL 14, 4 pins, GND to case
PACKAGE HEIGHT:	8 mm (see packaging info)
<b>WARM-UP</b>	
ΔF/F:	within spec after 60s @ 30 °C *
CURRENT:	< 250 mA during 10s
<b>MISCELLANEOUS</b>	
SHORT TERM STABILITY:	< 1 E-10 0.1 s to 30 s < 5 E-11 @ 1 s
PHASE NOISE (BW = 1Hz):	1 Hz: -60 dBc / Hz 10 Hz: -90 dBc / Hz 100 Hz: -120 dBc / Hz 1 kHz: -130 dBc / Hz
* Customer's specification on request	

<b>NOTE 1</b>	
<b>TEMP. RANGE *</b>	<b>SCOCXOT-AR1, AV5</b> 0 to +60 °C
<b>STABILITY *</b>	±0.025 ppm (0.05 ppm peak to peak)
<b>TEMP. RANGE *</b>	<b>SCOCXOT-BR1, BV5</b> -20 to +70 °C
<b>STABILITY *</b>	±0.05 ppm (0.1 ppm peak to peak)
<b>TEMP. RANGE *</b>	<b>SCOCXOT-CR1, CV5</b> -40 to +85 °C
<b>STABILITY *</b>	±0.1 ppm (0.2 ppm peak to peak)

<b>NOTE 2</b>	
<b>ADJUSTMENT WITH RESISTOR</b> (connected to ground)	<b>SCOCXOT-AR1, BR1, CR1</b> 0 to 10 kΩ
<b>INPUT IMPEDANCE</b>	> -4.7 kΩ
<b>ADJUSTMENT WITH VOLTAGE</b>	<b>SCOCXOT-AV5, BV5, CV5</b> 0.5 to 5 V
<b>INPUT IMPEDANCE</b>	> 47 kΩ

<b>MARKING EXAMPLE</b>			
			
SCOCXOT-BV5	Type	Spec No.	
20.000 MHz	01.25	Frequency	Date Code
○	12	○ (PIN 1)	Piece No.

<b>ORDERING INFORMATION EXAMPLE</b>			
S C O C X O T - B V 5 20 MHz x x x			
Oscillator Type	Low g sensitivity Oven Controlled Crystal Oscillator	Oscillator output frequency	N° of customer spec.
Oscillator Version	T = tight tolerance	Frequency Adjustment	R1 = external resistor V5 = voltage 5V Y = custom spec.
Temperature Range	A = 0 to +60 °C; +/-0.05ppm B = -20 to +70 °C; +/-0.1ppm C = -40 to +85 °C; +/-0.2ppm X = custom spec.		

<b>STANDARD FREQUENCIES (MHz)</b>					
10.0000	12.8000	16.0000	16.3840	19.4400	20.0000

Date:	September 2005	Revision No. :	3	Revision Date :	10-06
-------	----------------	----------------	---	-----------------	-------

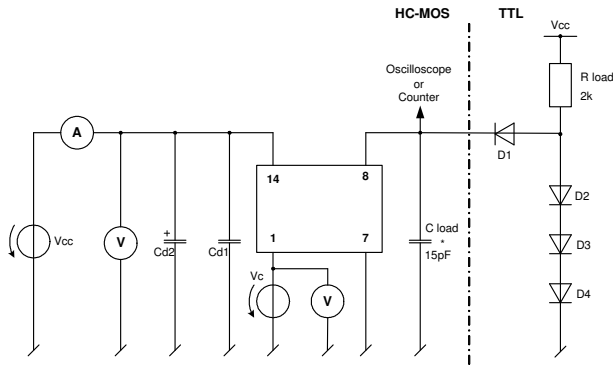
In accordance with our policy of continuous development and improvement, we reserve the right to modify the design or the specifications of our products without prior notice.

Headquarters: Micro Crystal  
Div. of ETA SA  
Mühlestrasse 14  
CH-2540 Grenchen  
Switzerland

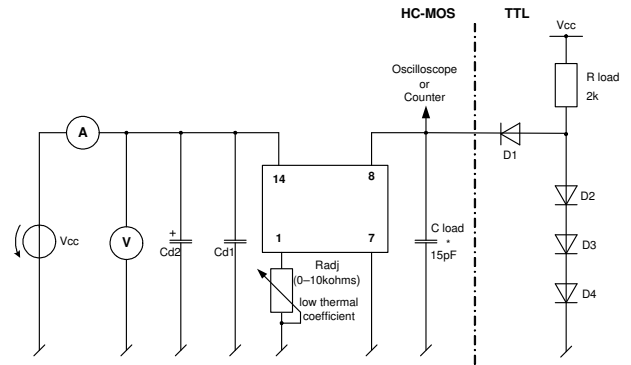
Tel. +41 32 655 82 82  
Fax +41 32 655 80 90  
Internet www.microcrystal.ch  
Email sales@microcrystal.ch

**Application and Test Circuit:**

Adjustment with voltage

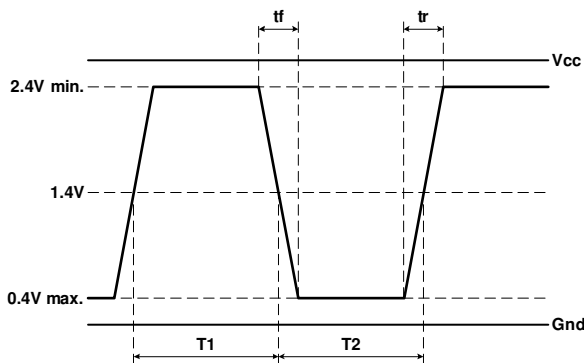


Adjustment with resistor

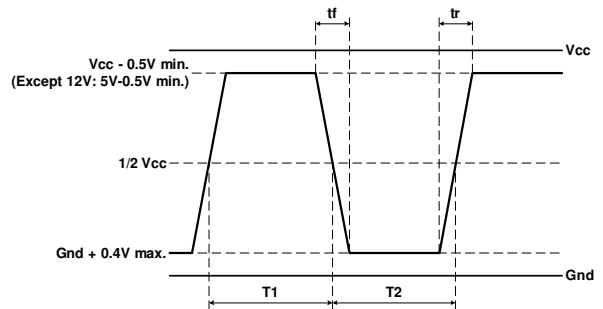


**Waveform Output:**

Waveshape TTL



Waveshape HC-MOS



$$Duty Cycle = 100 \times \frac{T1}{T1 + T2} [\%]$$

Date:	September 2005	Revision No. :	3	Revision Date :	10-06
-------	----------------	----------------	---	-----------------	-------

In accordance with our policy of continuous development and improvement, we reserve the right to modify the design or the specifications of our products without prior notice.

Headquarters: Micro Crystal  
 Div. of ETA SA  
 Mühlestrasse 14  
 CH-2540 Grenchen  
 Switzerland

Tel. +41 32 655 82 82  
 Fax +41 32 655 80 90  
 Internet www.microcrystal.ch  
 Email sales@microcrystal.ch