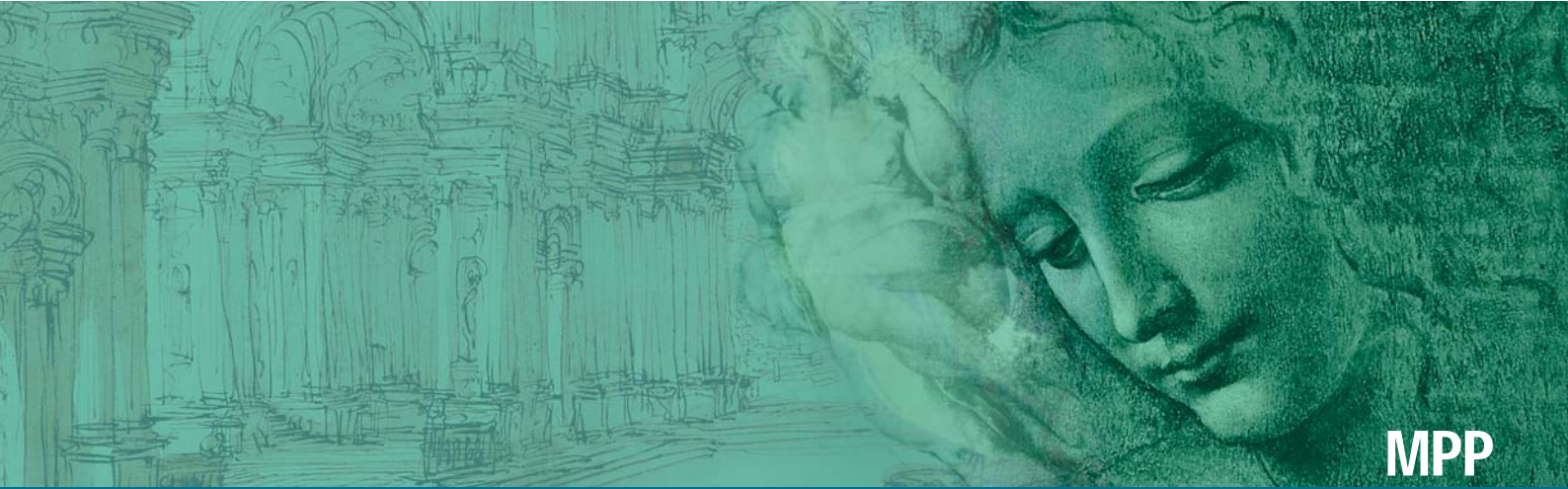




GREEN ELECTRONICS



MPP

Terminal Blocks and Connectors for Printed Circuit Boards



ISO
9001



ISO
14001



BS OHSAS
18001:2007



SAURO[®]
ELECTRONIC CONNECTORS

Functional Characteristics



Dimensional Class:

High



Standard Colour:

Green



Height:

39 mm (15.35 in)



Max Approved Wire sections:

Solid: 35 mm² (IMQ); 2 AWG (UL)

Stranded: 25 mm² (IMQ); 2 AWG (UL)

Clamp Opening Size:

8.7 x 8.2 mm (3.43 x 3.23 in)



Versions:

Side Stackable

Modular



Mounting Flanges

Single Mould Poles:

from 2 to 12



Pitches:

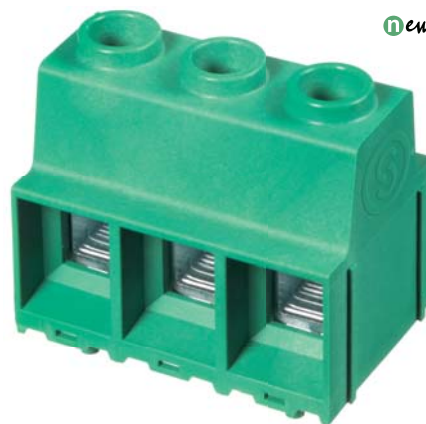
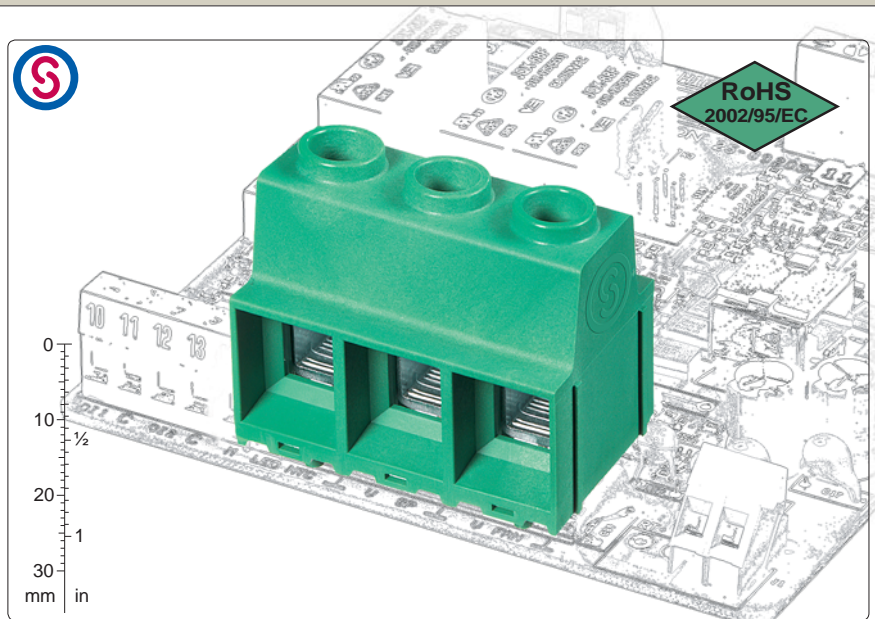
Metric 15 mm

(.591 in)



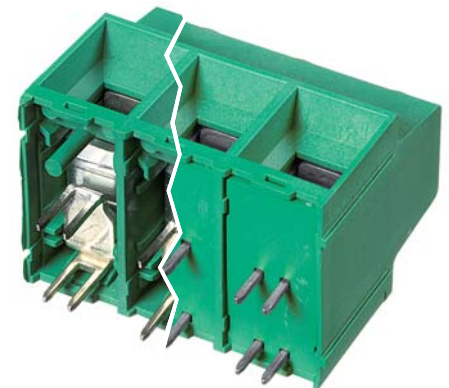
Solderable at a temperature up to

270°C / 518°F



S 270°C

pitch 15 mm
from 2 to 12 poles
modular



S 270°C

pitch 15 mm
from 2 to 12 poles
modular with or without base

Brief Description

The **MPP** series of terminal blocks offers a **high connection capacity**; in fact it can wire up to **35 mm² (2 AWG)** and consequently a certified current range of **125A can be reached**.

The terminal block is available in 15 mm (.59 in) Imperial pitches in monolithic blocks from 2 to 12 poles in both side-stackable and modular versions or with a flange which fixes it to the PCB, with insertion of the wire parallel to the board and pegs to prevent an incorrect manual assembly.

The basic monolithic terminal blocks can be stacked or mounted on the PCB in order to obtain any number of poles without losing the pitch; by taking advantage of this particular characteristic a minimum stock of basic terminal blocks can be kept.

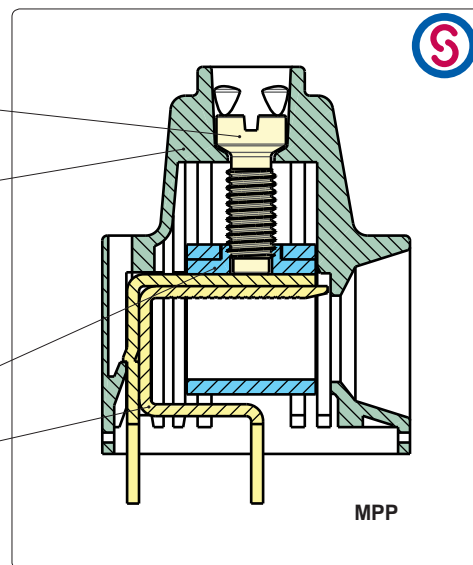
It is simple to manage the product, the warehouse and the assembly with **Kit packages** because several versions can be achieved with only one code, the part-numbers are significantly reduced and the risk of making mistakes is also reduced.

MPP with VDE pegs

The straight MPP terminal block is also available with clamping pegs moulded into the plastic housing to secure it to the PCB. This solution allows the application of the nominal tightening torque and prevents an incorrect assembly of the terminal block. In this way, the most restrictive guidelines set by the international standards (VDE) are passed.

Characteristics of Components

- M5 nickel plated Copper Alloy Screw.
- Polyamide Housing.
Standard Colour: GREEN.
V0 Self-extinguishing according to UL 94.
Chlorinated solvents resistant,
with no Phosphor, Dioxin or
detrimental to health Halogens.
- Nickel plated Copper Alloy Clamp
- Easy to solder lead-free
tin-plated Copper Alloy Pin.



Mechanical characteristics

Recommended/Highest tightening torque	2.1/2.5 Nm (18.59/22.13 lbf in)
PCB Thickness:	max. 2.4 mm (.094 in)
PCB Hole Diameter:	min. 1.6 mm (.063 in)
Stripping length	18 mm (.71 in)
Operating temperature range	-40 °C ÷ +110 °C (-40 °F ÷ +230 °F)
Climatic category	40/110/21 According to EN 60068-1

Electrical characteristics*

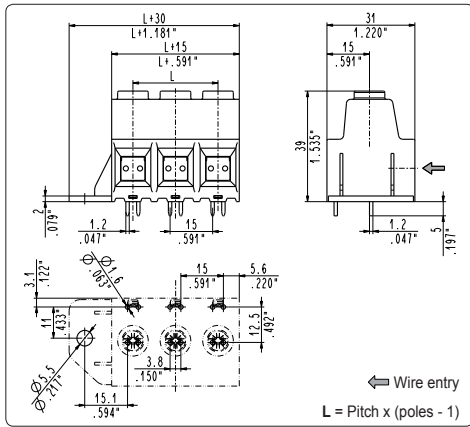
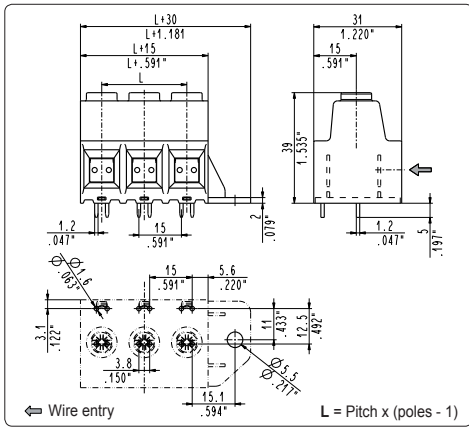
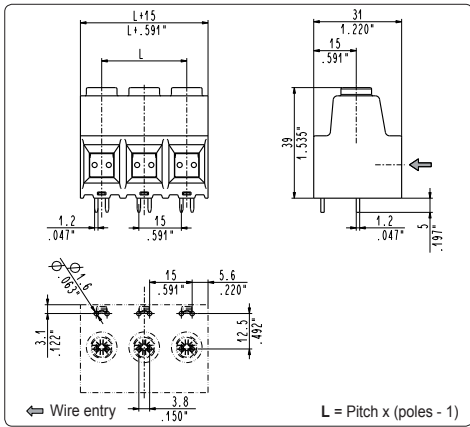
Solid wire section	20÷2 AWG (CSA)* 0.05 ÷ 35 mm ² (IMQ)*
Stranded wire section	20÷2 AWG (CSA)* 0.05 ÷ 25 mm ² (IMQ)*
Rated voltage for 15 mm (.591 in) pitch	1000 V (IMQ)*
Rated current	125 A (IMQ)*
Contact resistance	<15 mΩ
Insulation resistance	>10 ⁹ Ω (500V DC)

*All the above mentioned data refer to the highest values amongst the certified ones.

V voltage, I current values and tightening torque are related to the norms to be applied to the product and to its use.

Approvals

	CE:	1000 V - T 110 - 125 A - 35 mm ² Solid (115 A - 25 mm ² Stranded) for 15 mm pitch
	UL: Pending	600 V - 115 A - 20÷2 AWG for 15 mm pitch Application values for end-use equipment have to be in accordance to UL norms and applicable to them.
	CSA: Pending	600 V - 125 A - 20÷2 AWG for 15 mm pitch
	VDE: Pending	1000 V - 125 A - T 110 - 35 mm ² for 15 mm pitch
	IMQ: Pending	1000 V - T 110 - 125 A - 35 mm ² Solid (125 A - 25 mm ² Stranded) for 15 mm pitch



MPP_DAQ Straight, Side Stackable, Side Entry

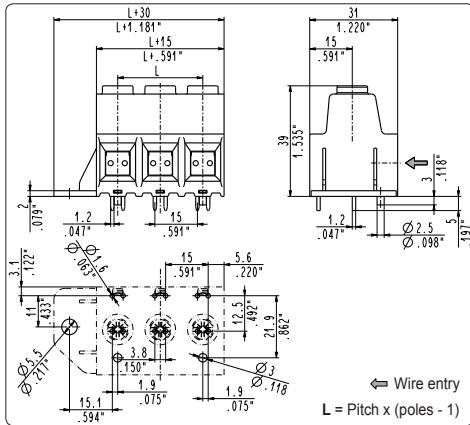
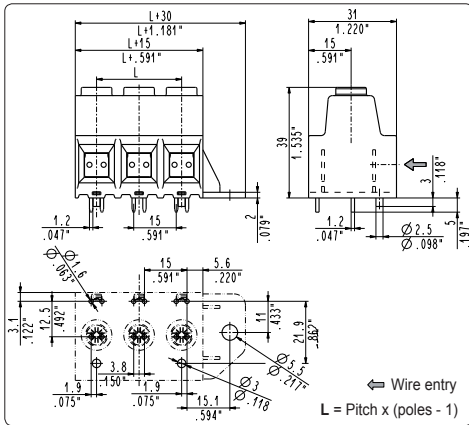
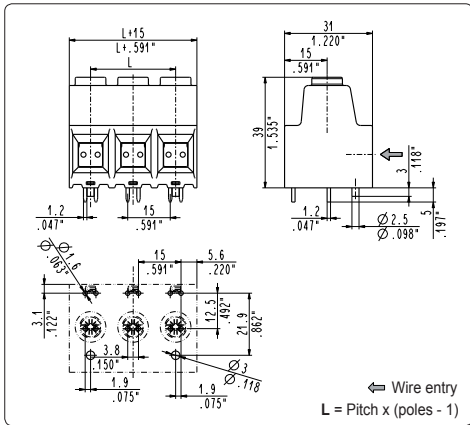
15 mm / .591" Pitch		Weight per pole: 22 g			
Poles	STD Code	Pcs/pack.	W [kg]	Pcs/Ind.**	W [kg]*
02	MPP02DAQ	50	2,20	250	11,00
03	MPP03DAQ	40	2,64	180	11,88
04	MPP04DAQ	30	2,64	125	11,00
05	MPP05DAQ	25	2,75	100	11,00
06	MPP06DAQ	20	2,64	75	9,90
07	MPP07DAQ	15	2,31	75	11,55
08	MPP08DAQ	15	2,64	50	8,80
09	MPP09DAQ	10	1,98	50	9,90
10	MPP10DAQ	10	2,20	50	11,00
11	MPP11DAQ	10	2,42	50	12,10
12	MPP12DAQ	10	2,64	40	10,56

MPP_DAQ-00D Straight, Side Stackable, Mounting Flanges

15 mm / .591" Pitch		Weight per pole: 22.2 g			
Poles	STD Code	Pcs/pack.	W [kg]	Pcs/Ind.**	W [kg]*
01	MPP01DAQ-00D	50	1,16	500	11,63
02	MPP02DAQ-00D	40	1,81	250	11,31
03	MPP03DAQ-00D	30	2,02	175	11,77
04	MPP04DAQ-00D	25	2,23	125	11,16
05	MPP05DAQ-00D	20	2,23	100	11,13
06	MPP06DAQ-00D	15	2,00	75	9,99
07	MPP07DAQ-00D	15	2,33	75	11,64
08	MPP08DAQ-00D	10	1,77	50	8,86
09	MPP09DAQ-00D	10	1,99	50	9,96
10	MPP10DAQ-00D	10	2,21	50	11,06
11	MPP11DAQ-00D	10	2,43	40	9,73
12	MPP12DAQ-00D	10	2,65	40	10,61

MPP_DAQ-00S Straight, Side Stackable, Mounting Flanges

15 mm / .591" Pitch		Weight per pole: 22.2 g			
Poles	STD Code	Pcs/pack.	W [kg]	Pcs/Ind.**	W [kg]*
01	MPP01DAQ-00S	50	1,16	500	11,63
02	MPP02DAQ-00S	40	1,81	250	11,31
03	MPP03DAQ-00S	30	2,02	175	11,77
04	MPP04DAQ-00S	25	2,23	125	11,16
05	MPP05DAQ-00S	20	2,23	100	11,13
06	MPP06DAQ-00S	15	2,00	75	9,99
07	MPP07DAQ-00S	15	2,33	75	11,64
08	MPP08DAQ-00S	10	1,77	50	8,86
09	MPP09DAQ-00S	10	1,99	50	9,96
10	MPP10DAQ-00S	10	2,21	50	11,06
11	MPP11DAQ-00S	10	2,43	40	9,73
12	MPP12DAQ-00S	10	2,65	40	10,61



MPP_DAQ-0000P Straight, Side Stackable, Pegs

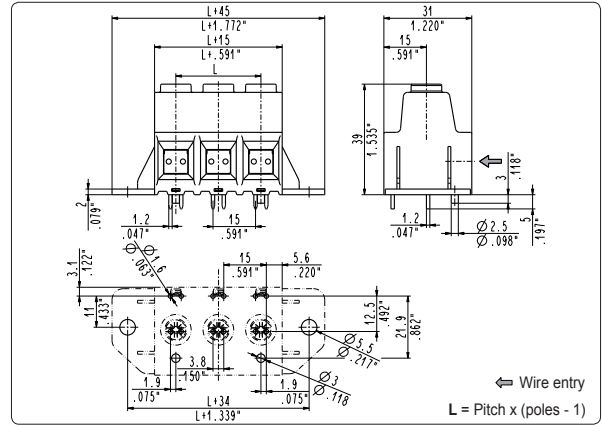
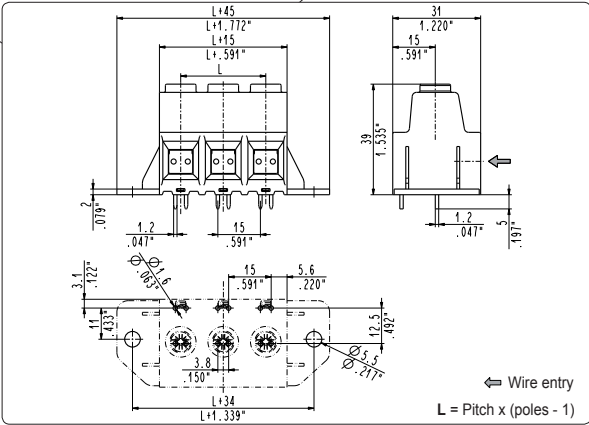
15 mm / .591" Pitch		Weight per pole: 22 g			
Poles	STD Code	Pcs/pack.	W [kg]	Pcs/Ind.**	W [kg]*
02	MPP02DAQ-0000P	50	2,20	250	11,00
03	MPP03DAQ-0000P	40	2,64	180	11,88
04	MPP04DAQ-0000P	30	2,64	125	11,00
05	MPP05DAQ-0000P	25	2,75	100	11,00
06	MPP06DAQ-0000P	20	2,64	75	9,90
07	MPP07DAQ-0000P	15	2,31	75	11,55
08	MPP08DAQ-0000P	15	2,64	50	8,80
09	MPP09DAQ-0000P	10	1,98	50	9,90
10	MPP10DAQ-0000P	10	2,20	50	11,00
11	MPP11DAQ-0000P	10	2,42	50	12,10
12	MPP12DAQ-0000P	10	2,64	40	10,56

MPP_DAQ-00D0P Straight, Side Stackable, Flanges, Pegs

15 mm / .591" Pitch		Weight per pole: 22.2 g			
Poles	STD Code	Pcs/pack.	W [kg]	Pcs/Ind.**	W [kg]*
01	MPP01DAQ-00D0P	50	1,16	500	11,63
02	MPP02DAQ-00D0P	40	1,81	250	11,31
03	MPP03DAQ-00D0P	30	2,02	175	11,77
04	MPP04DAQ-00D0P	25	2,23	125	11,16
05	MPP05DAQ-00D0P	20	2,23	100	11,13
06	MPP06DAQ-00D0P	15	2,00	75	9,99
07	MPP07DAQ-00D0P	15	2,33	75	11,64
08	MPP08DAQ-00D0P	10	1,77	50	8,86
09	MPP09DAQ-00D0P	10	1,99	50	9,96
10	MPP10DAQ-00D0P	10	2,21	50	11,06
11	MPP11DAQ-00D0P	10	2,43	40	9,73
12	MPP12DAQ-00D0P	10	2,65	40	10,61

MPP_DAQ-00S0P Straight, Side Stackable, Flanges, Pegs

15 mm / .591" Pitch		Weight per pole: 22.2 g			
Poles	STD Code	Pcs/pack.	W [kg]	Pcs/Ind.**	W [kg]*
01	MPP01DAQ-00S0P	50	1,16	500	11,63
02	MPP02DAQ-00S0P	40	1,81	250	11,31
03	MPP03DAQ-00S0P	30	2,02	175	11,77
04	MPP04DAQ-00S0P	25	2,23	125	11,16
05	MPP05DAQ-00S0P	20	2,23	100	11,13
06	MPP06DAQ-00S0P	15	2,00	75	9,99
07	MPP07DAQ-00S0P	15	2,33	75	11,64
08	MPP08DAQ-00S0P	10	1,77	50	8,86
09	MPP09DAQ-00S0P	10	1,99	50	9,96
10	MPP10DAQ-00S0P	10	2,21	50	11,06
11	MPP11DAQ-00S0P	10	2,43	40	9,73
12	MPP12DAQ-00S0P	10	2,65	40	10,61



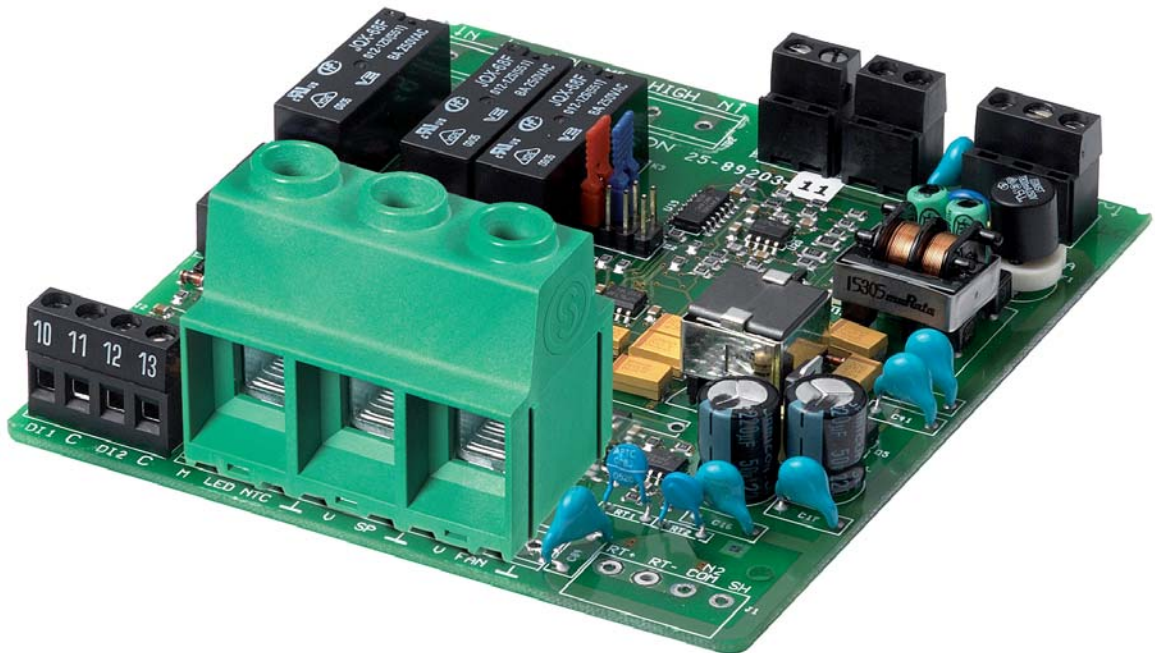
MPP_DVQ Straight, Mounting Flanges, Side Entry

15 mm / .591" Pitch		Weight per pole: 22.4 g			
Poles	STD Code	Pcs/pack.	W [kg]*	Pcs/Ind.**	W [kg]*
01	MPP01DVQ	50	1,23	500	12,25
02	MPP02DVQ	40	1,86	250	11,63
03	MPP03DVQ	30	2,06	175	11,99
04	MPP04DVQ	25	2,26	125	11,31
05	MPP05DVQ	20	2,25	100	11,25
06	MPP06DVQ	15	2,02	75	10,09
07	MPP07DVQ	15	2,35	75	11,74
08	MPP08DVQ	10	1,79	50	8,93
09	MPP09DVQ	10	2,01	50	10,03
10	MPP10DVQ	10	2,23	50	11,13
11	MPP11DVQ	10	2,45	40	9,78
12	MPP12DVQ	10	2,67	40	10,66

MPP_DVQ-0000P Straight, Mounting Flanges, Side Entry, Pegs

15 mm / .591" Pitch		Weight per pole: 22.4 g			
Poles	STD Code	Pcs/pack.	W [kg]*	Pcs/Ind.**	W [kg]*
01	MPP01DVQ-0000P	50	1,23	500	12,25
02	MPP02DVQ-0000P	40	1,86	250	11,63
03	MPP03DVQ-0000P	30	2,06	175	11,99
04	MPP04DVQ-0000P	25	2,26	125	11,31
05	MPP05DVQ-0000P	20	2,25	100	11,25
06	MPP06DVQ-0000P	15	2,02	75	10,09
07	MPP07DVQ-0000P	15	2,35	75	11,74
08	MPP08DVQ-0000P	10	1,79	50	8,93
09	MPP09DVQ-0000P	10	2,01	50	10,03
10	MPP10DVQ-0000P	10	2,23	50	11,13
11	MPP11DVQ-0000P	10	2,45	40	9,78
12	MPP12DVQ-0000P	10	2,67	40	10,66

Example of Application



*W [kg]: Approximate Weight per box in kg

**Industrial packaging: add "-00000E" at standard code