

26 KEY HANDHELD KEYBOARD

with Hall effect thumbstick

Sealing IP65, PS/2 or USB output

These 26 key handheld membrane keyboards have an integrated Hall effect joystick which we call a “thumbstick” (this name describes better its functionality). The keyboards are sealed IP65 and housed in a very stylish and robust ABS housing. They have numeric and function keys; the control keys are available via “Fn” key mapping. Ideal for applications requiring only a limited number of key functions with fast and comfortable key access and a precise, thumb operated joystick which acts as a cursor controller.



Panel mount version
KBTS26F1
Dim : 85 x 205 x 34 mm
Weight : 0,2 kg



- Hall effect “Thumbstick”
- Cursor control functionality
- Rubber boot sealing
- Spring return



Enclosed version
KBTS26S1
Dim : 105 x 210 x 70 mm
Weight : 0,4 kg

Features

- 36 membrane keys with tactile feel, 1,4 mm travel and 4N operating force
- Integrated Hall effect joystick (acting as cursor controller)
- Very robust and stylish ABS housing for the enclosed version
- Front of panel mounting by six M3 mounting studs for panel mount version
- Adequate sealing into the customers panel by the added silicone sponge seal (panel mount version)

• CONNECTIVITY

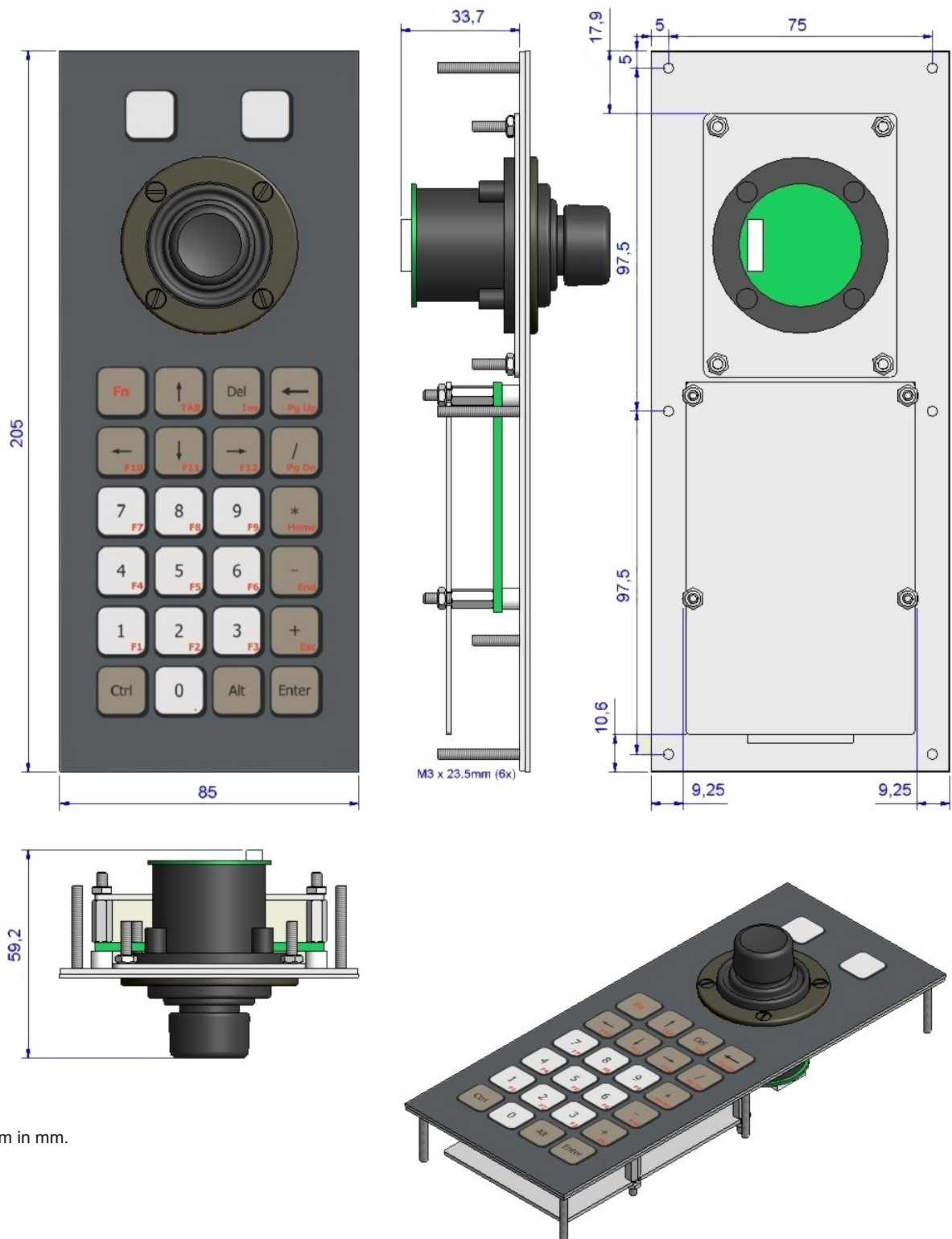
The PS/2 keyboards are supplied with one 1,6 m long shielded splitted cable ended by two PS/2 plugs. The USB versions are supplied with one 1,6m long shielded straight cable ended by a USB type A plug. Use the drivers standardly available in your operating system.

• ORDERING INFO

KBTS26 F1 yyy	Panel mount version	yyy = protocol output : PS2 = PS/2 output USB = USB output
KBTS26 S1 yyy	Enclosed version	

26 KEY "HANDHELD" KEYBOARD

• DIMENSIONAL DRAWING (panel mount version)



Dim in mm.

Background : RAL 7024 graphite grey
 Keys : Contour : RAL 9011 graphite black
 Legends : RAL 9011 graphite black or RAL 3000 flame red
 Background : RAL 9006 white aluminium or RAL 9007 grey aluminium



NSI bvba, Haakstraat 1A, B-3740 Bilzen, Belgium
 Tel. : ++32 (0) 89 51 90 00 Website : www.nsi-be.com
 Fax : ++32 (0) 89 51 90 09 E-mail : info@nsi-be.com