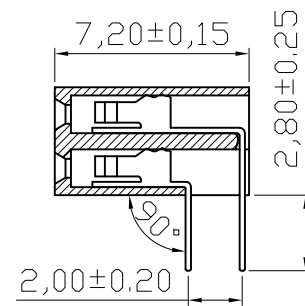
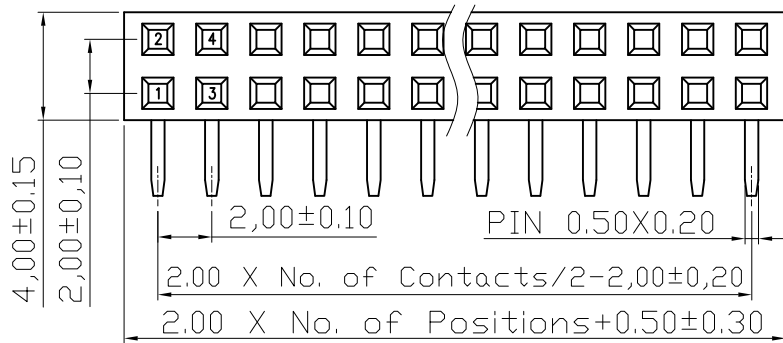
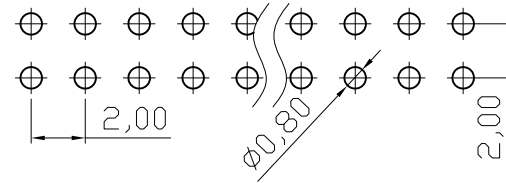


Recommended PCB Layout(Top Side)  
(PCB BOARD TOLERANCE±0.05)



SECTION A-A

**NOTES:**

**MATERIAL**

- 1.Insulator Material:PA6T+30%GF(UL94V-0)
- 2.Contact Material : Phosphor Bronze
- 3.Contact Plating :Gold Flash

**ELECTRICAL**

- 1.Current Rating : 2.0AMP
- 2.Withstand Voltage : 500V AC/DC
- 3.Contact Resistance : 20mΩ max
- 4.Insulation Resistance: 1000MΩ min

**ENVIRONMENTAL**

- 1.Operation Temperature: -40°C to +105°C
- 2.Packing: Tube

**RoHS compliant**

Scale	1:1						Date	Name	Customer-No.
TOLERANCE						Drawn	25.11.2009	Dean	ASSMANN WSW-No. <b>A-BL200-DA-GxxD1</b>
X.X	±0.40					Approved	25.11.2009	Hellwig	
X.XX	±0.25								
X.XXX	±0.15								
DIM	TOL								Drawing-No.
Angle	±3°								<b>ASS 1399A CO</b> rev01
		①	Drawn	25.11.2009	Dean	<b>ASSMANN</b> WSW components		Replace	SHEET
		Id.	Modification	Date	Name				