

SRC 225

DIN Rail Boxes



Standard colour:
GREEN (-V)



Optional colour:
Black (N), Grey (G)



Material:
PC/ABS (UL94 – V0) blend



Dimensions:
101 x 22.5 x 120 mm



Dimensions of PCB:
77 x 104 mm



Thickness of PCB:
1.6 mm



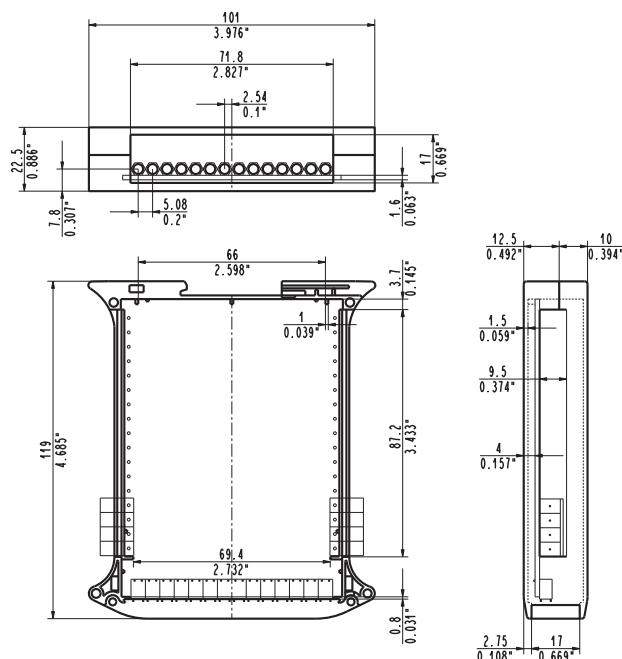
Number of poles (5 and 5.08mm pitch):
17 each side



Maximum height of components:
15 mm



SRC2250000-V

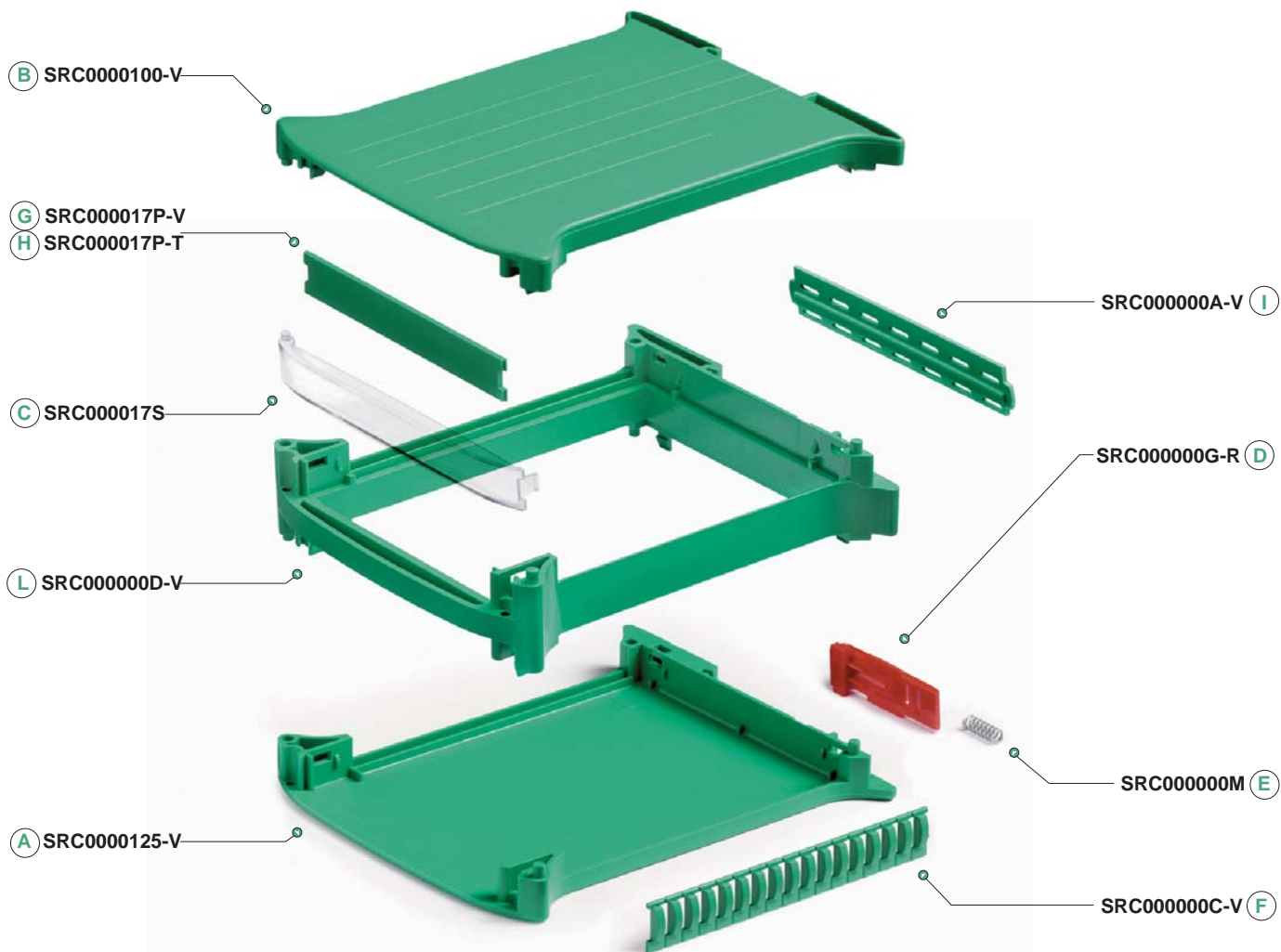


Design-in

Available colours:
standard green (-V), black (-N) and grey (-G).
For further details, please see page 265.

Personalized adhesive labels:
for further details, please see page 265.

SRC PARTS



Code and description of components

kit / pack

SRC2250000-V

50

Complete kit consisting of a base (A), a cover (B), a transparent frontal panel (C), a hook (D) and a spring (E)

A	SRC0000125-V	12.5 mm Base
B	SRC0000100-V	10 mm Cover
C	SRC000017S	17 mm Transparent Frontal Panel
D	SRC000000G-R	Hook
E	SRC000000M	Spring

Accessories

F	SRC000000C-V	Breakable side spit cover
G	SRC000017P-V	17 mm Frontal Panel
H	SRC000017P-T	17 mm Frontal Panel in PMMA Transparent Red Colour
I	SRC000000A-V	Internal Adapter
L	SRC000000D-V	Spacer