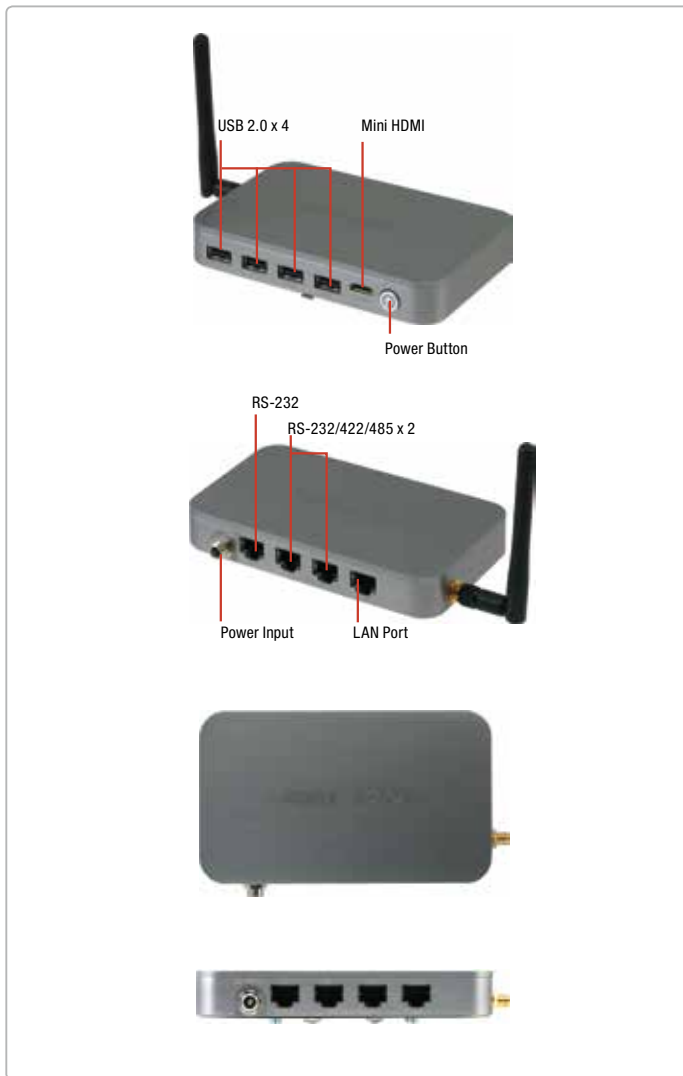


AEC-6401

Compact Embedded Controller with Intel® Atom™ Low Power Processor

11

BOXER Lite Series - Fanless Embedded Controller Solutions



Features

- Slim & Fanless Boxer: 20mm Thickness
- Uniform I/O Ports: USB, RJ-45 & Mini HDMI
- HDMI Display
- Wireless Module (802.11 b/g/n)
- Aluminum Enclosure
- Intel® Atom™ N2600 1.6GHz Processor



Expansion	PCIe [x1]	—
	PCI	—
	Mini Card	—
	Mini PCI	—
	Others	Onboard USB x 2 for Touch/WiFi
Indicator	Front	—
	Rear	—
Power Requirement	DC-in 12V	
Power Consumption	Intel® Atom™ N2600 1.6GHz, 0.79A@+12V	
System Cooling	Passive	
Mounting	Wallmount/Din-rail	
Operating Temperature	32°F ~ 104°F (0°C ~ 40°C) w/o Airflow 32°F ~ 131°F (0°C ~ 50°C) w/ Airflow	
Storage Temperature	-4°F ~ 158°F (-20°C ~ 70°C)	
Anti-Vibration	3g rms/ 5 ~ 500Hz/ operation – CFD 1g rms/ 5 ~ 500Hz/ operation – HDD	
Anti-Shock	50G peak acceleration (11 msec. duration) – CFD 20G peak acceleration (11 msec. duration) – HDD	
MTBF	50,000	
Certification	EMC	CE /FCC Class A
	Safety	—
Dimension (W x H x D)	4.92"(W) x 3.03"(H) x 0.79"(D) (125mm x 77mm x 20mm)	
Gross Weight	2.64 lb (1.2 Kg)	
Note	—	

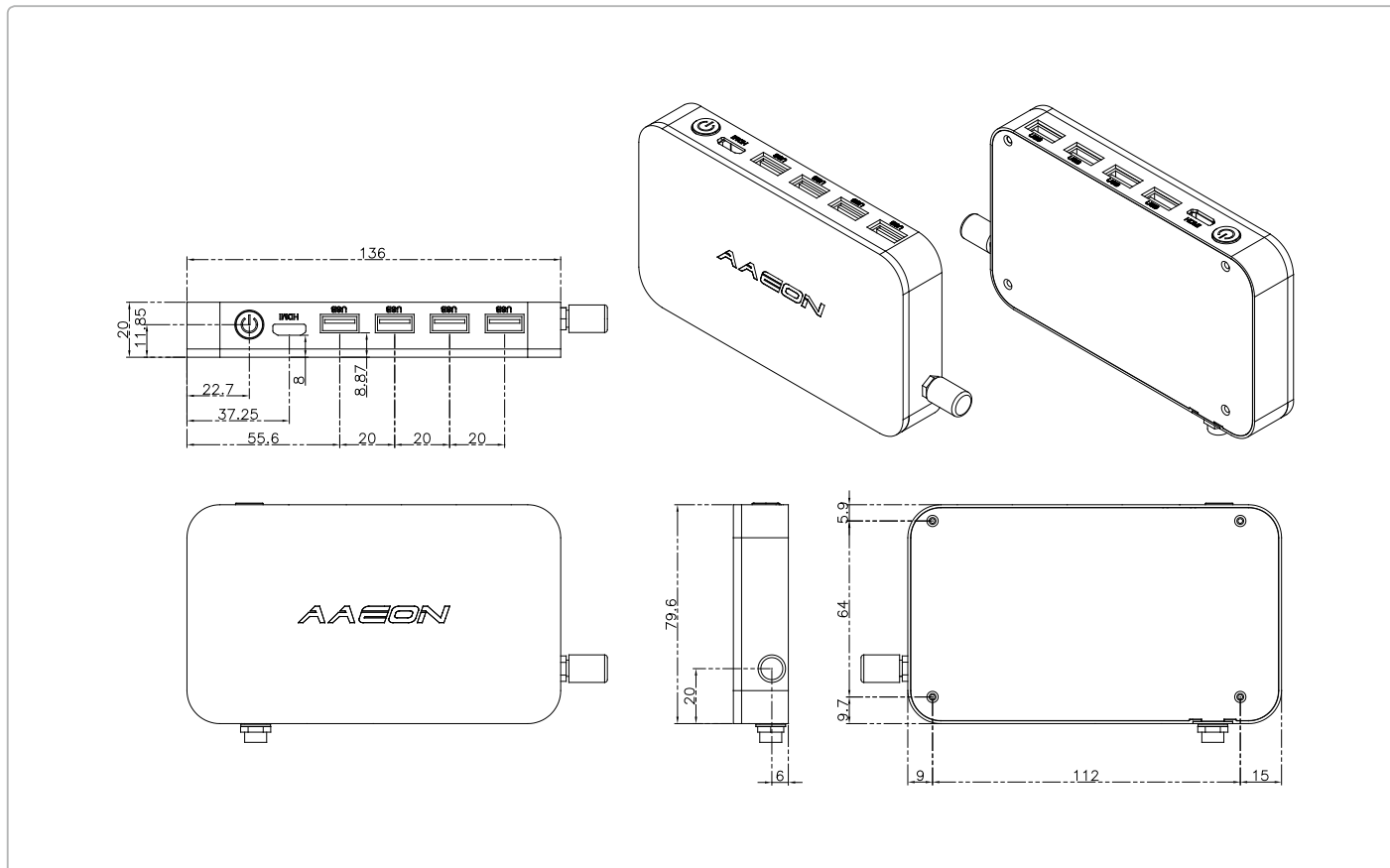
Specifications

CPU	Intel® Atom™ N2600 1.60GHz	
Chipset	Intel® NM10	
System Memory	DDR3 1066 SDRAM SODIMM x 1, Max.2GB	
Display Interface	VGA	—
	DVI	—
	Others	Mini HDMI x 1
Storage Device	SSD	mSATA (half-size)
	HDD	—
Network	LAN	Gigabit Ethernet x 1
	Wireless	Optional
Front I/O	USB Port	USB 2.0 x 4
	LAN	—
	Serial Port	—
	DIO	—
	Audio	—
	KB/MS	—
	Others	Power Button x 1, mini HDMI x 1
	—	—
Rear I/O	USB Port	—
	LAN	RJ-45 x 1
	Serial Port	RJ-48 x 3 (RS-232 x 1, RS-232/422/485 x 2)
	DIO	—
	Audio	—
	KB/MS	—
	Others	Power input x 1

AEC-6401

Dimension

Unit: mm



Ordering Information

Part Number	CPU	RAM	LAN	USB 2.0	RS-232	RS-232/422/485	DIO	Storage	Display	Expansion	Mounting	Power	Operation temp.
AEC-6401-A1-1010	Intel® N2600	2GB (Max.)	1	4	1	2	—	mSATA x 1 (Half-size)	mini HDMI	—	Din Rail, VESA 75/100(Optional)	12V DC in	0°C ~ 50°C (with air)
AEC-6401-A2-1010	Intel® N2600	2GB (Max.)	1	4	1	2	—	mSATA x 1 (Half-size)	mini HDMI	Wifi b/g/n	Din Rail, VESA 75/100(Optional)	12V DC in	0°C ~ 50°C (with air)

Packing List

- Anti-Heat Kit
- RJ-45 to COM Cable x 3
- Mini HDMI to HDMI Cable
- Power Adapter
- CD-ROM for Manual (in PDF Format) and Drivers
- AEC-6401

Optional Accessories

- **M046401000**
Anti-Heat Kit
- **1700090156**
RJ-45 to COM Cable
- **1700190500**
Mini HDMI to HDMI Cable
- **1757306007**
Power Adapter
- **9741640100**
VESA Mounting Kit
- **9741640101**
Din Rail Mounting Kit