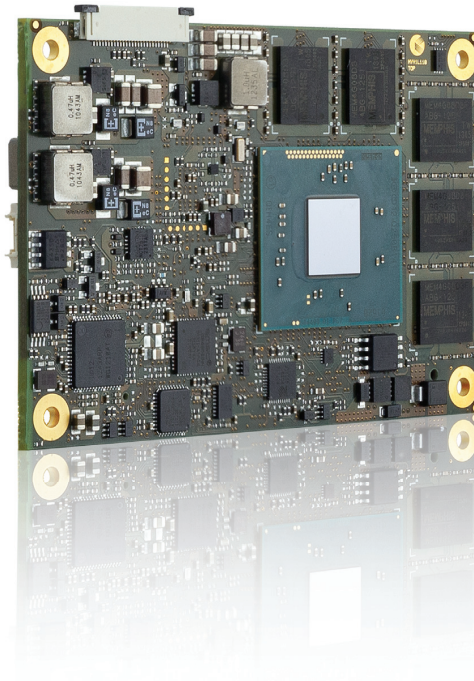


» COMe-mBT10 «

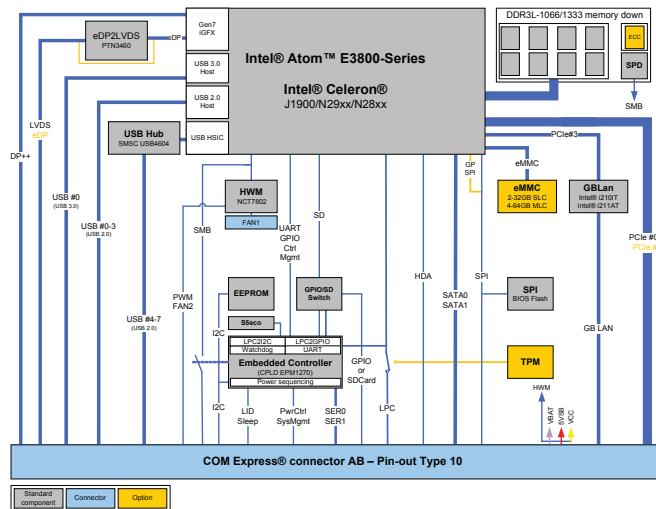


COM Express® mini Type 10 with Intel® Atom™ E3800 & Celeron® Series

- » Intel® Atom™ E3800 & Celeron® Series
- » Up to 8GB DDR3L memory down (ECC optional)
- » Up to 8x USB 2.0, 1x USB 3.0, eMMC Flash, 2x SATA, SD-Card
- » Industrial Grade Temperature

Technical Information

Compliance	COM Express® mini, Pin-out Type 10
Dimensions (H x W x D)	84 x 55 mm
CPU	Intel® Atom™ E3845, Intel® Atom™ E3827, Intel® Atom™ E3826, Intel® Atom™ E3825, Intel® Atom™ E3815, Intel® Celeron® J1900, Intel® Celeron® N2920, Intel® Celeron® N2930, Intel® Celeron® N2807
Chipset	-
Main Memory	Up to 8GB DDR3L-1333 memory down (ECC optional)
Graphics Controller	Intel® HD Graphics (Gen7)
Ethernet Controller	Intel® I210IT / I211AT
Ethernet	10/100/1000 MBit Ethernet
Hard Disk	2x SATA 3Gb/s
Flash Onboard	2 - 64GB eMMC
PCI Express® / PCI support	3x PCIe x1
Panel signal	DDI: DP++, LVDS: Single Channel 18/24bit or eDP
USB	1x USB 3.0 (incl. USB 2.0), 3x USB 2.0 from CPU, 4x USB 2.0 from HSIC Hub
Serial	2x serial interface (RX/TX only)
Audio	Intel® High Definition Audio
Common Features	SPI, LPC, SMB, Fast I ² C, Staged Watchdog, RTC, MARS
BIOS	Phoenix Secure Core UEFI
Humidity	93% relative Humidity at 40°C, non-condensing (according to IEC 60068-2-78)
Options	1x PCIe x1 additional w/o onboard LAN, Trusted Platform Module TPM 1.2, ECC memory, eMMC Flash onboard (2-32GB SLC, 4-64GB MLC), eDP instead of LVDS, General Purpose SPI instead of Boot SPI, FSP + Coreboot, AES-NI
Power Management	ACPI, S5 Eco
Power Supply	4.75V – 20V Wide Range, Single Supply Power
Special Features	POSCAP capacitors, GPIO/SDIO Switch, General Purpose SPI optional
Operating System	Windows® 8, Windows® 7, WE8S, WES7, WEC7, Linux, VxWorks
Temperature	Commercial temperature: 0°C to +60°C operating, -30°C to +85°C non-operating Industrial temperature: -40°C to +85°C operating, -40°C to +85°C non-operating



CORPORATE OFFICES

Europe, Middle East & Africa

Lise-Meitner-Str. 3-5
86156 Augsburg
Germany

Tel.: +49 (0) 821 4086-0
Fax: +49 (0) 821 4086 111
sales@kontron.com

North America

14118 Stowe Drive
Poway, CA 92064-7147
USA

Tel.: +1 888 294 4558
Fax: +1 858 677 0898
info@us.kontron.com

Asia Pacific

17 Building, Block #1, ABP.
188 Southern West 4th Ring Road
Beijing 100070, P.R.China

Tel.: +86 10 63751188
Fax: +86 10 83682438
info@kontron.cn