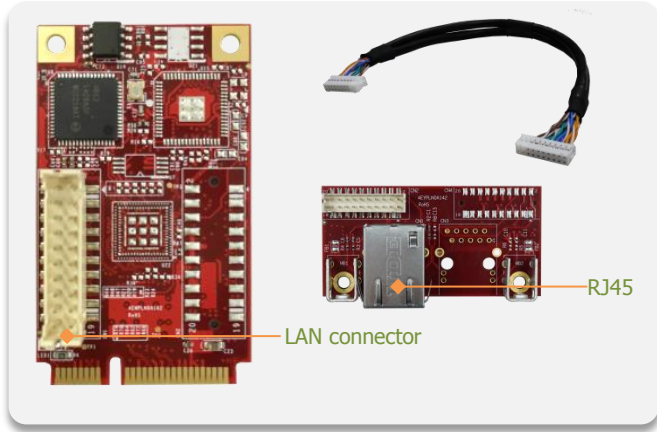


# EMPL-G101

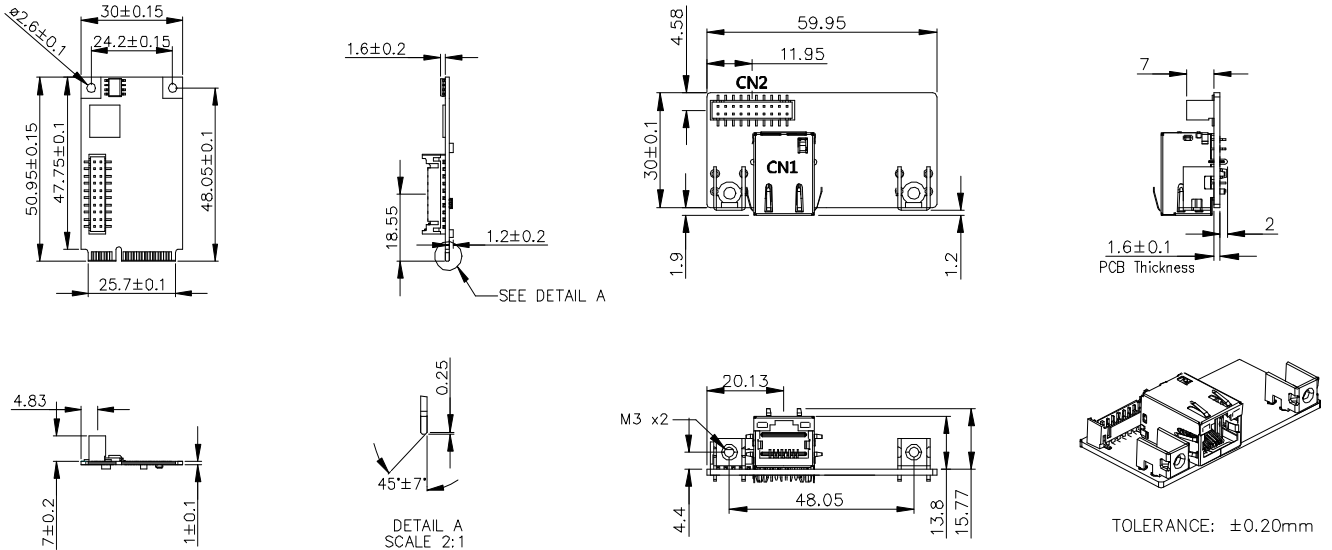
## mPCIe to single isolated GbE LAN Module



### Features

- Single isolated GbE LAN port.
- 2KV HiPOT and 1KV Surge Protection.
- Flexible daughter board with cable to fit into different system.
- 15KV ESD(Electro-Static Discharge) Surge Protection.
- Optional Industrial Temperature (-40°C to +85°C) support.
- 30μ " golden finger, 3 years warranty.
- Industrial design, manufactured in innodisk Taiwan

### Mechanical Drawing



### Specifications

**Headquarters (Taiwan)**  
5F., No.237, Sec. 1, Datong Rd.,  
Xizhi Dist., New Taipei City 221,  
Taiwan

Tel: +886-2-7703-3000  
Email: sales@innodisk.com

**Branch Offices:**

**USA**  
[usasales@innodisk.com](mailto:usasales@innodisk.com)  
+1-510-770-9421

**Europe**  
[esusales@innodisk.com](mailto:esusales@innodisk.com)  
+31-040-282-1818

**Japan**  
[jpsales@innodisk.com](mailto:jpsales@innodisk.com)  
+81-45-594-7581

**China**  
[sales\\_cn@innodisk.com](mailto:sales_cn@innodisk.com)  
+86-755-21673689

[www.innodisk.com](http://www.innodisk.com)

© 2015 Innodisk Corporation.  
All right reserved. Specifications  
are subject to change without  
prior notice.

July 27, 2015

Form-Factor	mPCIe
Input I/F	PCI Express 2.1 x 1
Output I/F	GbE LAN
Output Connector	RJ45 x 1
TDP	0.66W (3.3V, 200mA)
Dimension (WxLxH)	30 x 50.9 x 6.1 mm
Temperature	Operation: STD: 0°C ~ +70°C. W/T: -40°C ~ +85°C Storage: -55°C ~ +95°C
Environment	Vibration: 5G @7~2000Hz, Shock: 50G @ 0.5ms
Notes	Driver supports Win 7 (32 & 64 bit), Win 8/8.1(32 & 64 bit), Linux 2.4 series kernel ,2.6.x and 3.x version. Please download driver from Innodisk website.

### Order information

**EMPL-G101-C1(Standard Temp.)**  
**EMPL-G101-W1(Wide Temp.)**

mPCIe to single GbE LAN Module