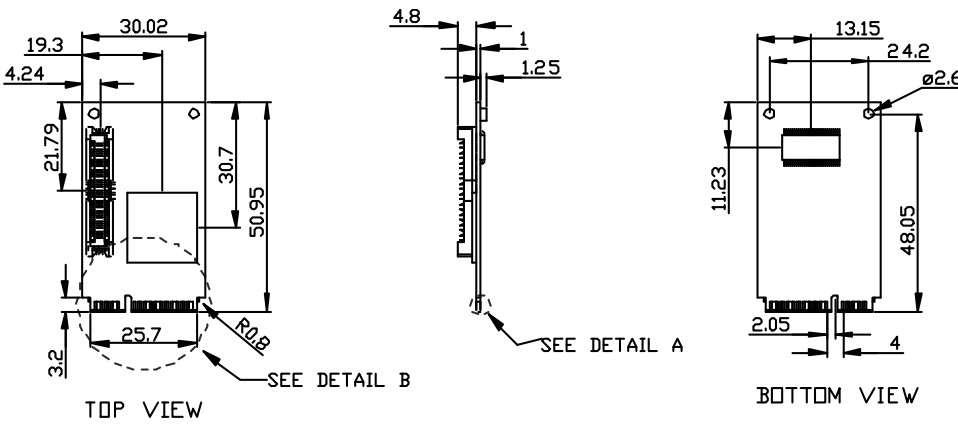


### Features

- VGA Output up to 1920x1080, up to 75Hz vertical rate
- LVDS resolution supports up to 1600 x 1200
- EMPV-1202-C1 Support 18/24 bit JEIDA LVDS
- EMPV-1202-C2 Support 24 bit VESA LVDS
- Allow for 90°, 180°, and 270° rotation of on-screen images.
- 30μ" golden finger, 3 years warranty.
- Industrial design. Manufactured in innodisk Taiwan.

### Mechanical Drawing



18 bits LVDS + VGA

Signal	Pin	Pin	Signal
+5V	2	1	+3.3V
+5V	4	3	+3.3V
I2C_DATA	6	5	I2C_CLK
GND	8	7	GND
LVDS_D0+	10	9	LVDS_D1+
LVDS_D0-	12	11	LVDS_D1-
GND	14	13	GND
LVDS_D2+	16	15	LVDS_D3+
LVDS_D2-	18	17	LVDS_D3-
GND	20	19	GND
R_0	22	21	B_0
G_0	24	23	
GND	26	25	GND
H_Sync	28	27	DDC_SCL
V_Sync	30	29	DDC_SDA
GND	32	31	GND
LVDS_CLK+	34	33	
LVDS_CLK-	36	35	
GND	38	37	GND
	40	39	

### Specifications

**Headquarters (Taiwan)**  
 5F., No. 237, Sec. 1, Datong Rd.,  
 Xizhi Dist., New Taipei City 221,  
 Taiwan  
 Tel: +886-2-77033000  
 Email: sales@innodisk.com

**Branch Offices:**

**USA**  
[usasales@innodisk.com](mailto:usasales@innodisk.com)  
 +1-510-770-9421

**Europe**  
[eusales@innodisk.com](mailto:eusales@innodisk.com)  
 +31-040-282-1818

**Japan**  
[jpsales@innodisk.com](mailto:jpsales@innodisk.com)  
 +81-45-594-7581

**China**  
[sales\\_cn@innodisk.com](mailto:sales_cn@innodisk.com)  
 +86-755-21673689

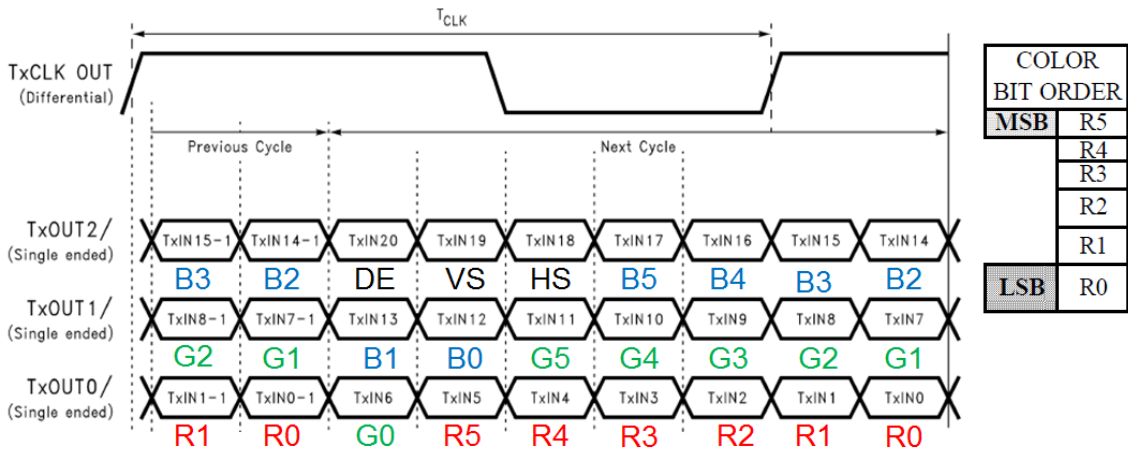
[www.innodisk.com](http://www.innodisk.com)

© 2015 Innodisk Corporation.  
 All right reserved. Specifications  
 are subject to change without  
 prior notice.

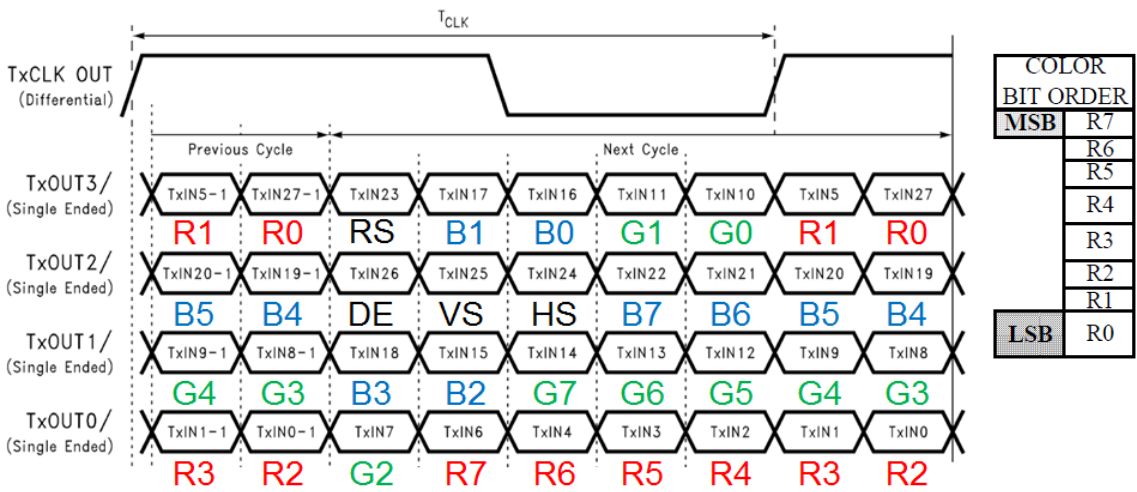
August 28, 2015

Form-Factor	mini PCIe
Input I/F	PCI Express 1.0
Output I/F	VGA, 18/24 bit LVDS (C1 for JEIDA, C2 for VESA)
Output Connector	40pin 1.25mm (40DP-1.25)
TDP	1.98W(3.3V x 600mA)
Dimension (WxLxH)	50.95 x 30 x 8.2 mm, Weight: 8.5g
Temperature	Operation: STD: 0°C ~ +70°C
Environment	Vibration: 5G @7~2000Hz, Shock: 50G @ 0.5ms
Notes	Need to connect external 5V power for LVDS panel.  OS Support : Windows XP (32 bit), Windows 7 (32/64 bit), Windows 8 (64 bit), Linux Ubuntu 12.10(64 bit), Linux Fedora 18, Linux RedHat Enterprise 6.3.  Please download driver from Myinnodisk website.

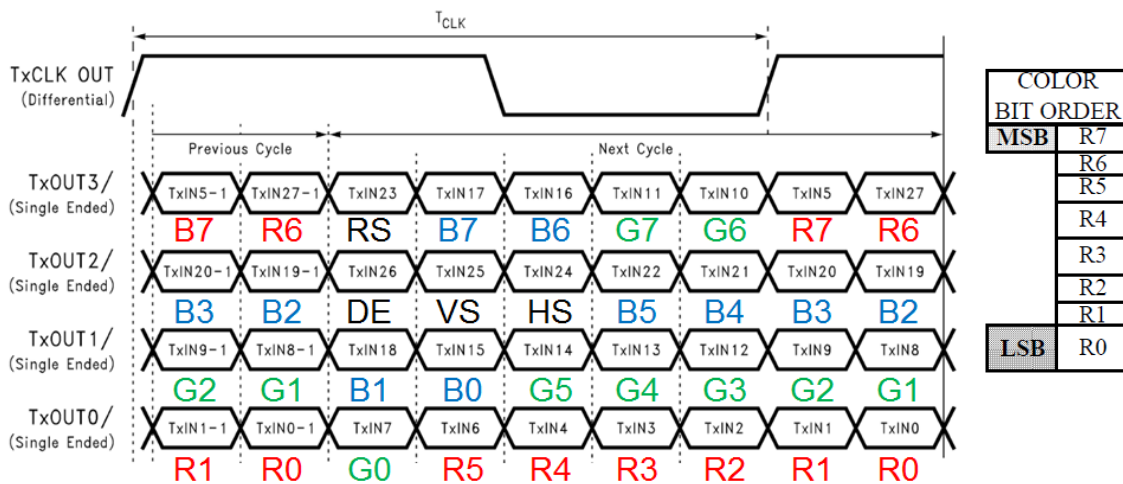
## EMPV-1202-C1 LVDS 18 Bit Single Channel Data Mapping Diagram



## EMPV-1202-C1 JEIDA LVDS 24 Bit Single Channel Data Mapping Diagram



## EMPV-1202-C2 VESA LVDS 24 Bit Single Channel Data Mapping Diagram



### Order information

#### EMPV-1202-C1

mPCIe to VGA & 18/24 bit JEIDA LVDS format module

#### EMPV-1202-C2

mPCIe to VGA & 24 bit VESA LVDS format module