

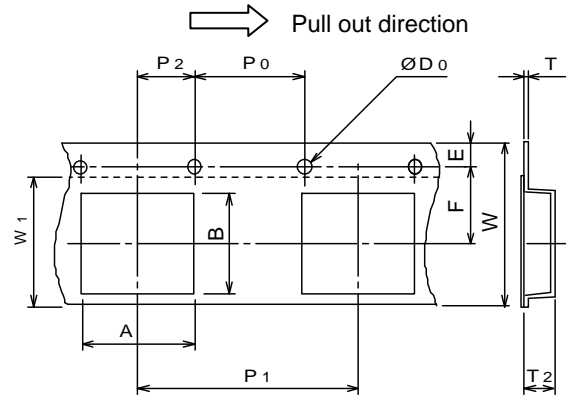
General Description

NJRC delivers ICs in 4 methods, plastic tube container, two kinds of Taping, tray and vinyl bag packing. Except adhesive tape treated anti electrostatic and contain carbon are using as the ESD (Electrostatic Discharge Damage) protection.

SOT-89 Emboss Taping (TE1/TE2)

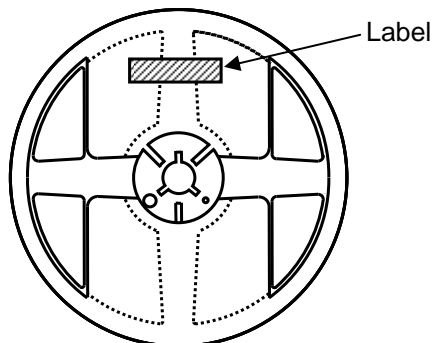
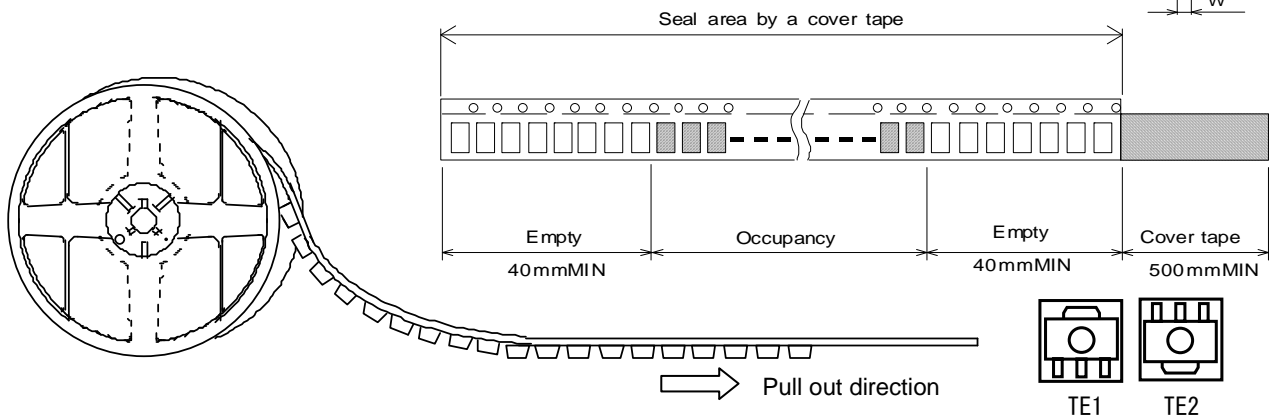
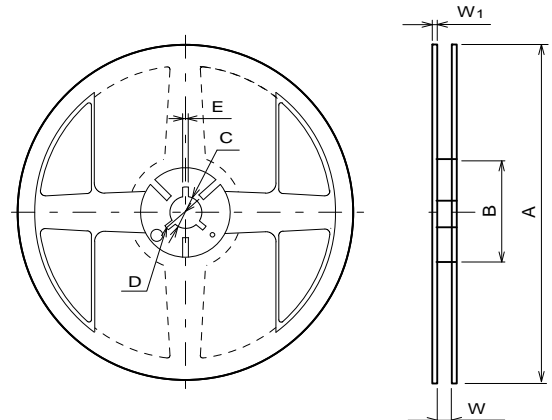
Symbol	SOT-89-3	SOT-89-5-1	SOT-89-5-2	Remark
A	4.9±0.1	4.8±0.1	4.9±0.1	Bottom size
B	4.5±0.1	4.9±0.1	4.5±0.1	Bottom size
D ₀	1.5+0.1/-0	1.5+0.1/-0	1.5+0.1/-0	
E	1.5±0.1	1.6	1.5±0.1	
F	5.65±0.05	5.65±0.1	5.65±0.1	
P ₀	4.0±0.1	4.0±0.1	4.0±0.1	
P ₁	8.0±0.1	8.0±0.1	8.0±0.1	
P ₂	2.0±0.05	2.0±0.1	2.0±0.05	
T	0.3±0.05	0.3±0.05	0.3±0.05	
T ₂	2.0	2.0±0.1	2.17	
W	12.0±0.3	12.0±0.3	12.0±0.3	
W ₁	9.5	9.5	9.5	Thickness 0.1MAX

Unit : mm



Symbol	SOT-89-3	SOT-89-5-1	SOT-89-5-2
A		Ø180±1	
B		Ø60±1	
C		Ø13±0.2	
D		Ø21±0.8	
E		2±0.5	
W		13±0.5	
W ₁		1.2±0.2	
Contents		1,000pcs	

Unit : mm



Put in the outer box

