

AI@Edge Compact Fanless Embedded Box PC with NVIDIA Jetson TX2



Launching in Q1

## Features

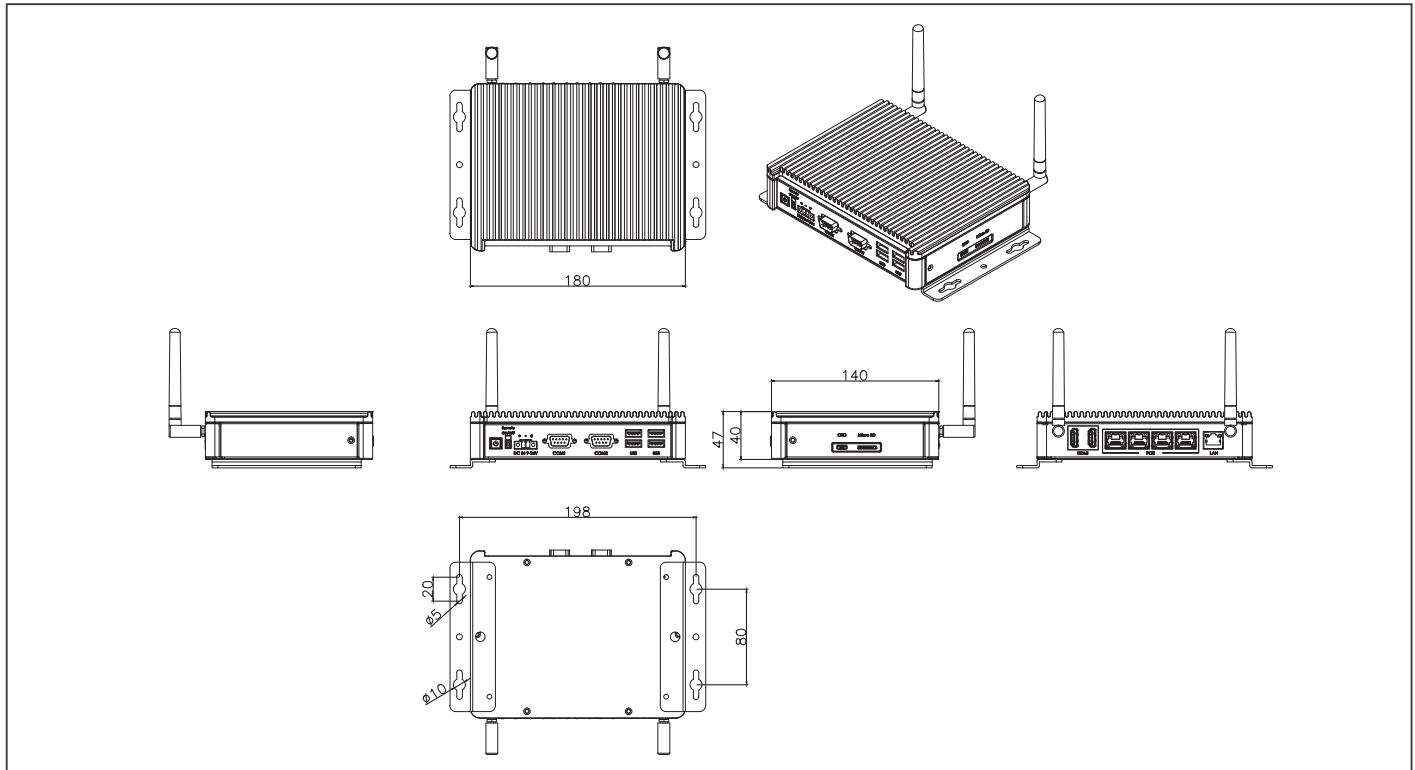
- Designed for Embedded AI vehicle Controller
- Gigabit Ethernet x 1 and POE x 4 for surveillance
- 2.5" HDD/SDD Drive Bay x 1
- 4 USB 3.0 Ports
- 2 RS-232/422/485 Ports
- 12~24V DC-in Support with ignition controller

## Specifications

System	
CPU Module	Nvidia Jetson TX2
CPU	HMP Dual Denver 2/2 MB L2 + Quad ARM® A57/2 MB L2
GPU	NVIDIA Pascal™ 256 CUDA
System Memory	8 GB 128-bit LPDDR4, 59.7 GB/s
Display Interface	HDMI Typr A x2 for HDMI 2.0
Storage Device	Onboard 32GB eMMC (via Jetson TX2) MicroSD x 1 SATA x 1
Network	GbE LAN x 1 POE x 4
I/O	RJ-45 x 1 for GbE LAN RJ-45 POE+ LAN x4 for POE GbE LAN USB Type A x 4 for USB 3.0 DB-9 RS-232/422/485 x 2 DB-9 CANBUS DB-9 6-bit 3.3V level GPIO Power On/Off Button x 1 DC-in 3-pin terminal block x 1 USB OTG x 1 3-pin DC-in 12~24V Power connector x1 Antenna opening x 2
Expansion	N/A
Indicator	Power Button w/ Power LED x 1
OS Support	Linux Ubuntu 16.04
Power Supply	
Power Requirement	24V DC-in x 1
Mechanical	
Mounting	Wallmount
Dimensions (W x H x D)	153 mm(W) x 101 mm(D) x 30 mm(H)
Gross Weight	2.9 kg
Net Weight	2.15kg
Environmental	
Operating Temperature	-20°C ~ 50°C (according to IEC68-2-14 with 0.5 m/s AirFlow ; with industrial devices)
Storage Temperature	-40°C ~ 80°C
Storage Humidity	5~95% @ 40°C, non-condensing
Anti-Vibration	5 Grms/ 5 ~ 500Hz/ operation
Certification	CE/FCC class A

## Dimension

Unit: mm



## Ordering Information

Part Number	CPU Module	RAM	LAN	POE	USB 3.0	USB 2.0	RS-232	RS-232/422/485	Digital I/O	Audio	Storage	Display	Expansion	Mounting	Power	Operation temp.
BOXER-8170AI-A1-1010	Jetson TX2	8 GB 128-bit LPDDR4	1	4	4	0	—	2	—	—	Onboard 32GB eMMC MicroSD x 1 SATA x 1	HDMI x 2	—	Wallmount	9~24V	-40°C ~ 50°C

## Packing List

- Wallmount Bracket x 2
- Power Connector x 1
- Screw Pack x 1
- BOXER-8170AI x1

## Optional Accessories

- **1255300402**  
Power Adapter
- **1702031802**  
Power Cord (US Type)
- **1702031803**  
Power Cord (Europe)
- **170203180E**  
Power Cord (Japan)