

7" Rugged Tablet X86-based Windows® 10 up to 1.92 GHz Quad Core Processor



Features

- 7" WXGA (1280 x 720) TFT LCD Display, 400nit, 680 nits (Optional)
- Intel® Atom™ x 5-Z8300 CHT-T3 Quad Core 1.92 GHz Processor
- DDR3L-RS 1600 2GB
- Projected Capacitive Multi-Touch Panel, Gorilla Glass
- Extended Battery Swappable, MIL-STD 810G, IP65 Compliant
- GPS/GLONASS Simultaneously
- WiFi a/b/g/n, BT4.0
- Support NFC/RFID, Ethernet + COM Port (Optional)
- 1D/2D Barcode Scanner with Trigger Button
- MSR (Optional)/SCR (Optional)
- G-Sensor, Light Sensor, E-Compass
- Windows® 10, Android™ 5.0



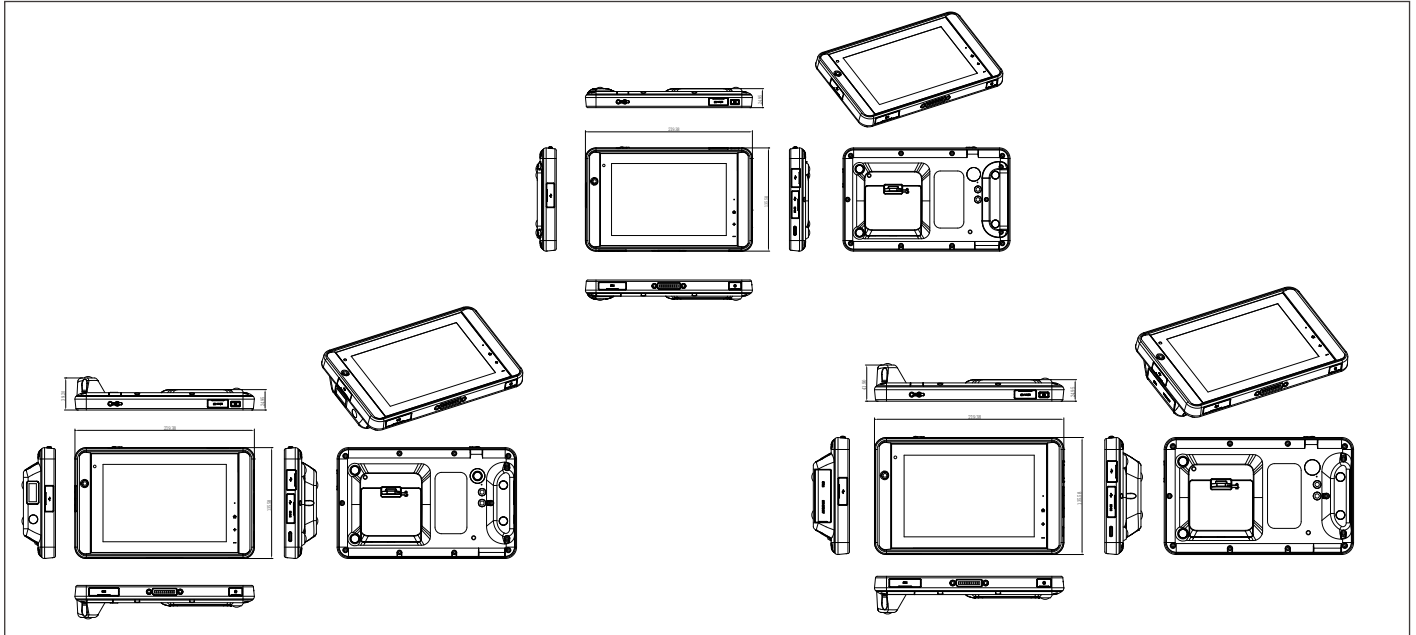
Specifications

System	
Processor	Intel® Atom™ x 5-Z8300 CHT-T3 Quad Core 1.92 GHz Processor
Chipset	—
System Memory	DDR3L-RS 1600 2GB
LCD Display	7" TFT-LCD (1280 x 800) / 16:10
Communication	Bluetooth v4.0, Wi-Fi (802.11 a/b/g/n), NFC / RFID (13.56MHz), 3G (Optional),
I/O Port	DC-in jack x 1, MicroSD Card x 1, SIM card slot x 1, USB 2.0 x 2 (A Type x 1, Mini USB x 1), USB 3.0 x 1 (Type C), Built-in Speaker & Microphone x 1, 3.5mm stereo headphone jack x 1, 1D/2D Barcode scanner x 1 (Optional), Magnetic Stripe Reader x 1 (Optional), COM port x 1+Ethernet x 1 (Optional)
Storage	64GB Flash eMMC
Navigation	GPS, Glonass
Camera	2 MP front camera, 8 MP auto-focus rear camera with flash
Sensor	S-sensor, E-compass, Gyroscope, Light-sensor
OS	Windows® 10, Android™ 5.0
Mechanical	
Color	Black
Dimension	5.38" x 8.58" x 0.83" (136.6mm x 219mm x 21mm)
Gross Weight	1.254 lb (0.57 kg)
Carton Dimension	—
Environmental	
Operating Temperature	-20 °C ~ 60 °C (-4 °F ~ 140°F)
Storage Temperature	-67°F ~ 158°F (-55 °C ~ 70 °C)
Operating Humidity	50°C; 5% ~ 90%RH; 120 hours
Water & Dust Proof	IP65
Vibration	MIL-STD-810G Method 514.6 Procedure I, Cat. 24, Fig. 514.6E-1 & E-2
Drop	MIL-STD-810G Method 516.6 Procedure IV - Height of Drop: 122cm (48 inch; 4ft), - Number of Drop: 26 times, - Floor: Two-inch plywood backed by concrete, - For all surfaces, edges and corners
ESD	Air charge: +/- 8KV, Contact charge: +/- 4KV
EMC/ Safety	UL: UL60950-1, CE/LVD: EN60950-1, FCC, CE
Power Supply	
AC/ DC Adapter	AC Power: 100~240V, 24W, DC Power: 12V
Battery 1 pack	Li-polymer High Capacity Battery, up to 8 Hours Battery Life,
Battery 2 packs and one swappable	Li-polymer High Capacity Battery, up to 6 Hous Battery Life, one hard pack removable
LCD	
Display Type	7" TFT-LCD / 16:10
Max. Resolution	1280 x 800 pixel
Max. Color	16.7M
Dot Size	0.117(W) x 0.117(H)
Luminance	400 nits
View Angle	Horizontal: 178° (Typ.), Vertical: 178° (Typ.)

RTC-700B

Dimension

Unit: mm



Touch Screen	
Type	Projected capacitive multi-touch screen (PCT)
Light Transmission	Min 87% (ASTM D1003; Wavelength = 550nm)

Packing List

- **1255300360**
AC Power Adapter
- **1702031830**
Power Cable for USA
- **Product CD**
- **RTC-700B**

Optional Accessories

- **AP-OT978966663**
Vehicle Docking (Non-chargeable)
- **1700050156**
USB OTG Cable (Host to Device)
- **AP-PS1757402101**
Vehicle DC/DC Adapter
- **2192619062**
Carry Bag w/ Shoulder Strap
- **1700051000**
USB Cable (Client to PC)
- **9789700A02**
Desktop Stand
- **1702031831**
Power Cable for Europe
- **PER-A139**
MSR Module
- **PER-A140**
MSR and SCR Module
- **TF-RDS-0310-0000**
Docking Station
- **9789700A01**
Portable Stand
- **9789700A03**
Portable Stand with Ring Hand Strap
- **RDS-0040-0000**
4-Bay Battery Charger
- **9789600A00**
Battery
- **9759700B000**
Hand strap

* Small quantity MOQ may apply for optional/customized services.

Ordering Information

Part Number	CPU	LCD Display	Touch Screen	System Memory	Storage	OS	WiFi/Bluetooth	3G Bands (MHz)	Navigation	Sensor	Camera	Battery	Expansion I/O	Size & Weight	Operation Temp	Durable	NFC (HF RFID)	2D Barcode Scanner	Com + Ethernet	Docking
RTC-700B-TAD-WBGHR-5101	Intel® Atom™ x 5-28300 CHT-T3 Quad Core 1.92 GHz Processor	7" TFT LCD	Pcap 10-point	DDR3L-RS 1600 2GB	64GB Flash eMMC	Windows® 10	802.11 a/b/g/n + BT4.0+ EDR	850/1900/2100	GPS/ Glonass/ AGPS*	Light Sensor x 1, G Sensor x 1, 3-axis digital groscope x 1, Vibrator x 1	Front: 2MP, Back: 8MP	Dual-Battery, Internal: 7.4V, 1530mAh, External: 7.4V, 1530mAh	USB A x 1, MiniUSB x 1, USB C x 1, micro SD x 1, SIM Card x 1	L219.4 x W135.58 x H 21.2 mm, 640g	-20°C ~ 60°C	Meet IEC 60529 IP-65 standard, Mil Std 810G-516.6, Procedure IV, 26 drops of 48" height to 2" plywood over concrete with bumpers & uNits off, 2 units to pass	Yes	Yes	—	Yes
RTC-700B-TAD-WBGHR-5102	Intel® Atom™ x 5-28300 CHT-T3 Quad Core 1.92 GHz Processor	7" TFT LCD	Pcap 10-point	DDR3L-RS 1600 2GB	64GB Flash eMMC	Windows® 10	802.11 a/b/g/n + BT4.0+ EDR	850/1900/2100	GPS/ Glonass/ AGPS*	Light Sensor x 1, G Sensor x 1, 3-axis digital groscope x 1, Vibrator x 1	Front: 2MP, Back: 8MP	Dual-Battery, Internal: 7.4V, 1530mAh, External: 7.4V, 1530mAh	USB A x 1, MiniUSB x 1, USB C x 1, micro SD x 1, SIM Card x 1	L219.4 x W135.58 x H 21.2 mm, 655g	-20°C ~ 60°C	Meet IEC 60529 IP-65 standard, Mil Std 810G-516.6, Procedure IV, 26 drops of 48" height to 2" plywood over concrete with bumpers & uNits off, 2 units to pass	Yes	—	Yes	Yes

Note: All specifications are subject to change without notice.